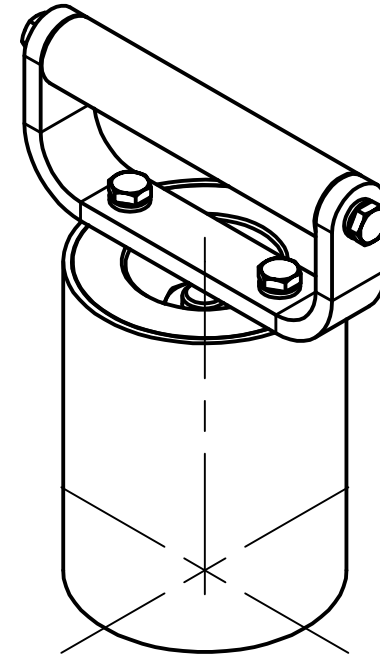
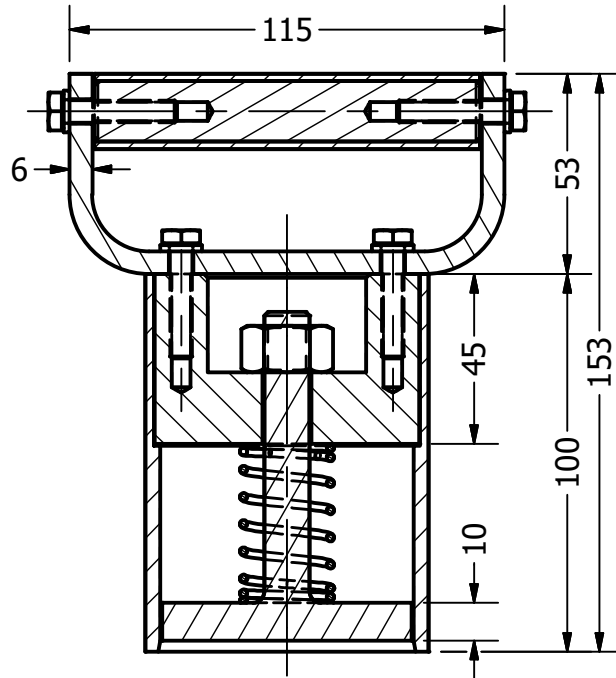
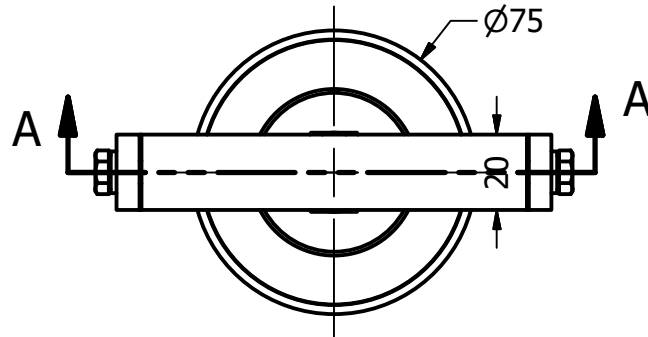


4



3

2

1



SECTION A-A
SCALE 1 / 2

Project Jam Jar Sealer		Created by D. Mosquera		Approved by D. Jeager	
Part Name Jam Jar Sealer		Part Code A2		Document Type ASSEMBLY	
 Open Source Ecology e.V. Knobelsdorffstr. 22 14059 Berlin www.ose-germany.de +49 (0) 30 / 92282426		License CERN-OHL		File Name oseg_jjs_A_jam-jar-sealer.iam	
		Scale 1:2		Version 1.0	
				Sheet 2	
				Date 03.11.20	

4

3

2

1