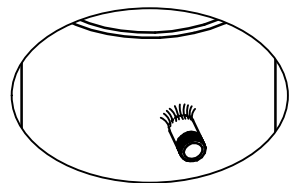
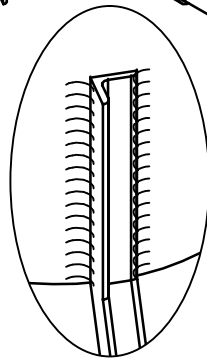


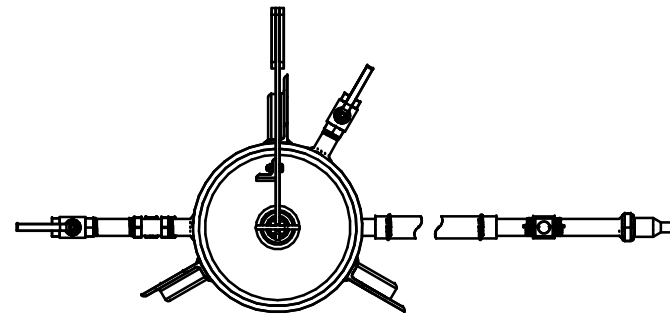
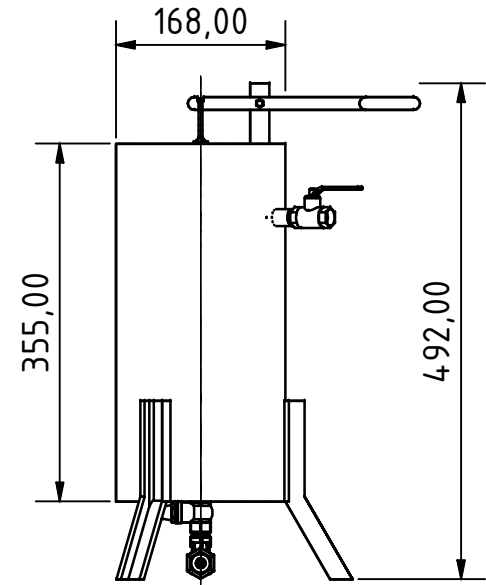
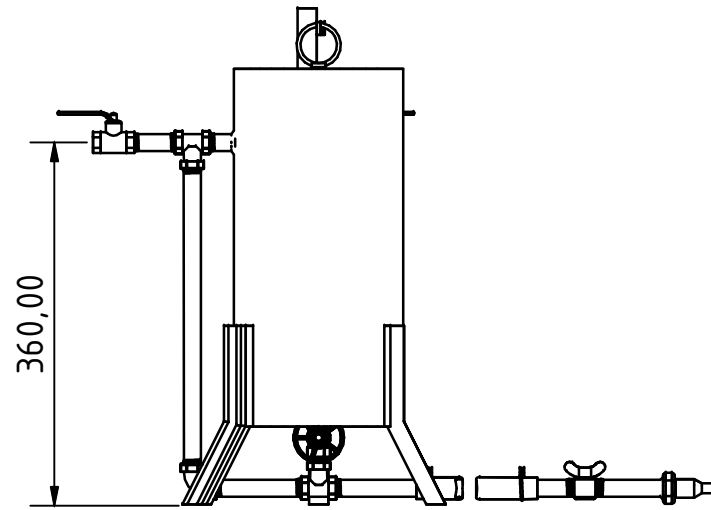
A (1:5)




C (1:5)



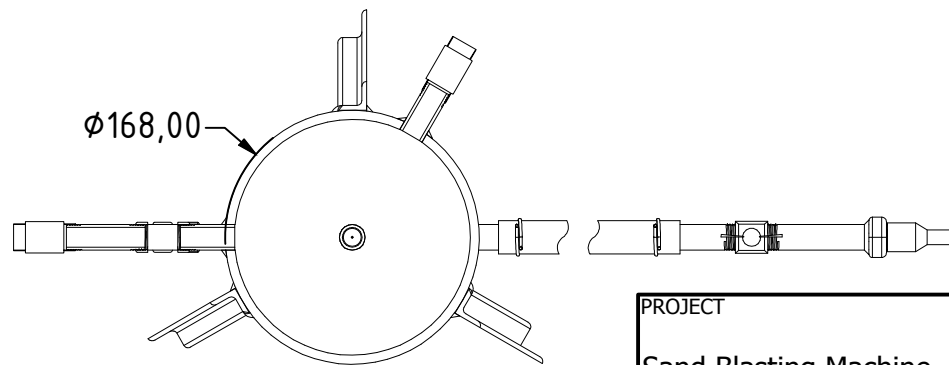
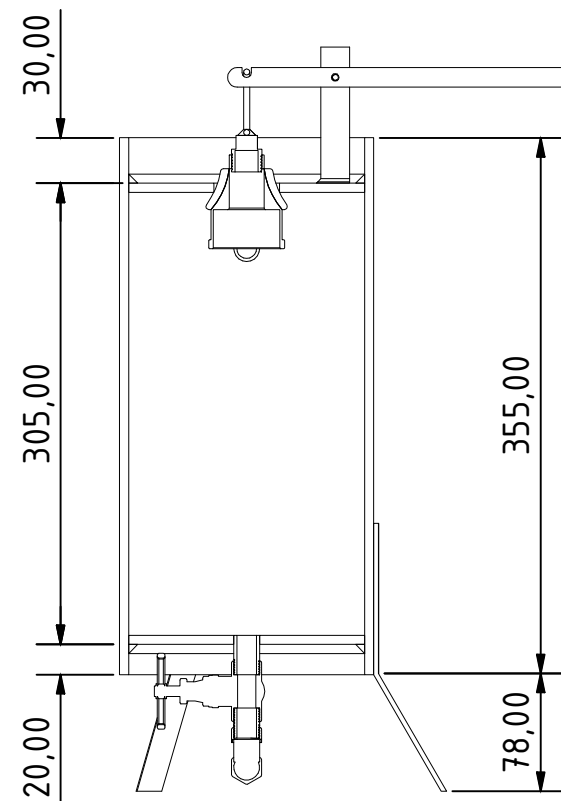
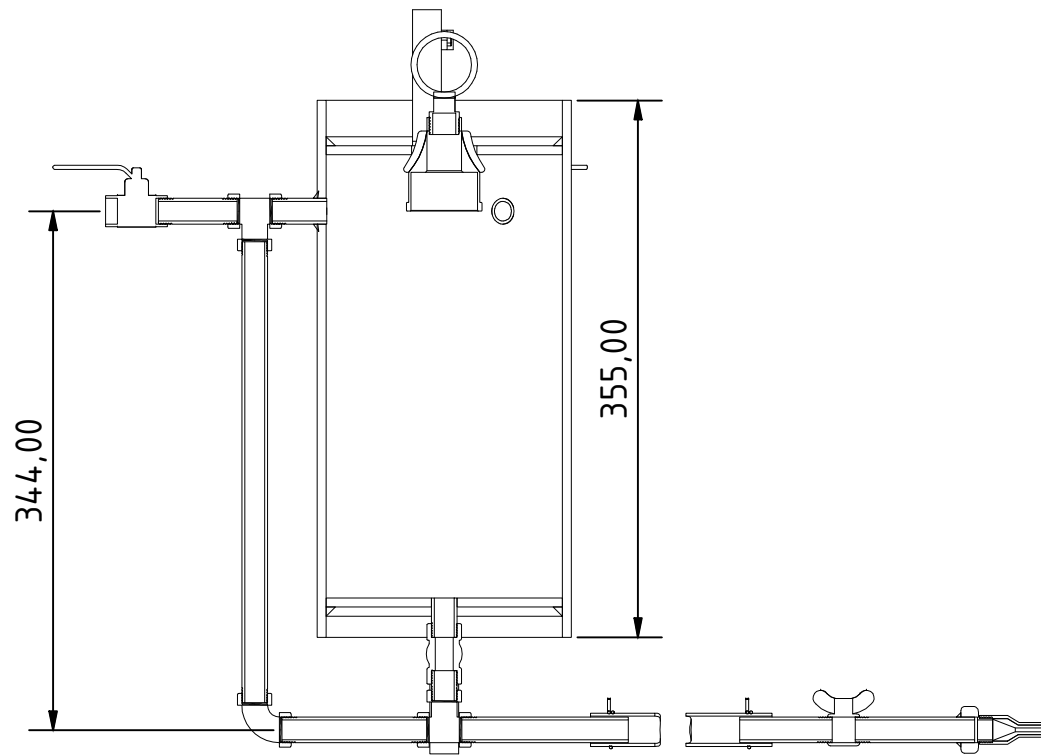
B (1:3)




Note: All units in mm.

PROJECT	CREATED BY	APPROVED BY	DATE	VERSION
Sand Blasting Machine	E. Araujo	A. Morillo	30/08/2021	1.0
PART NAME	FILE NAME			POS
3d views	oho_sbm_sand_blasting_machine.dwg			A1
PUBLISHED BY	DOC. TYPE	MATERIAL	QUANTITY	
 OPEN HARDWARE OBSERVATORY Free Blueprints for Sustainable Development	Assembly		1	
	LICENCE	SCALE	SHEET	
OHO e.V.	CC-BY-SA 4.0	1:7.5	1/28	

Based on drawings of Channing B. Mould, 1953



Note: All units in mm.

PROJECT	CREATED BY	APPROVED BY	DATE	VERSION
Sand Blasting Machine	E. Araujo	A. Morillo	30/08/2021	1.0
PART NAME	FILE NAME			POS
3d views	oho_sbm_sand_blasting_machine.dwg			A1
PUBLISHED BY	DOC. TYPE	MATERIAL	QUANTITY	
 OPEN HARDWARE OBSERVATORY Free Blueprints for Sustainable Development OHO e.V.	Assembly		1	
	LICENCE	SCALE	SHEET	
	CC-BY-SA 4.0	1:7.5	2/28	