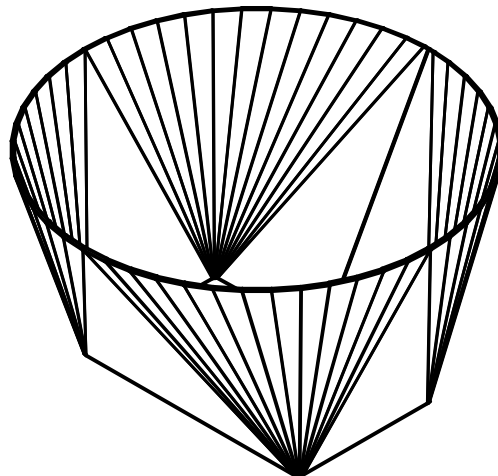
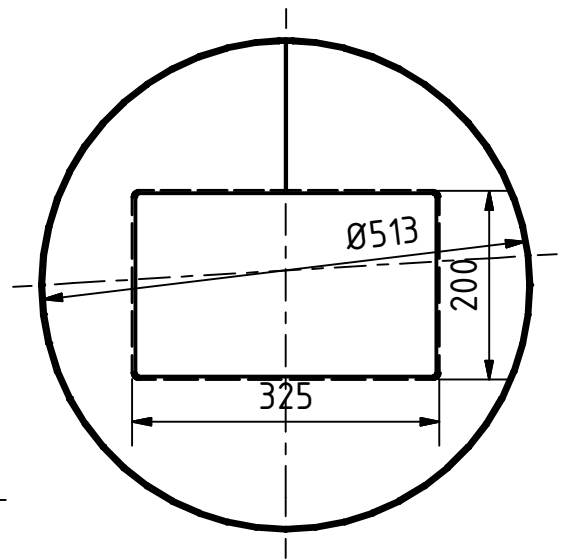
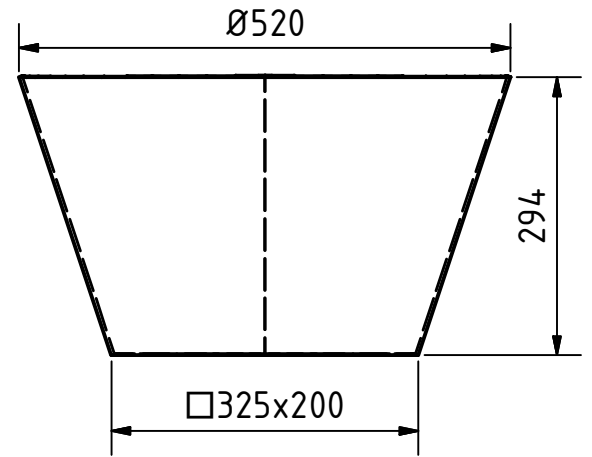
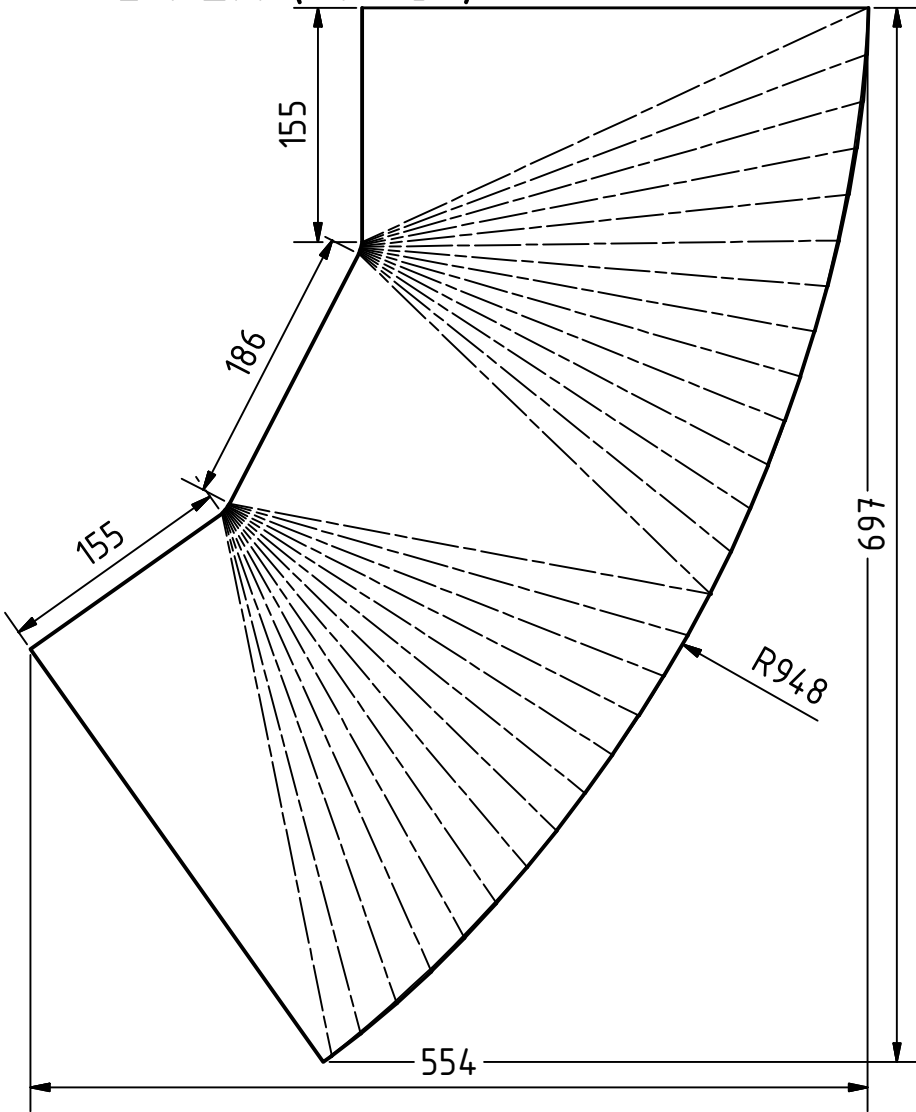





2 PZA (1 : 5)



PROJECT		CREATED BY		APPROVED BY		DATE		VERSION		
Cross Flow Turbine		D.MOSQUERA		D. JAEGER		05-04-21		1.0		
PART NAME		FILE NAME								PART CODE
Shaft-adapter		oseg_cft_shaft-adapter								13.3
DEVELOPED BY		REDESIGNED BY		SUPPORTED BY		DOC. TYPE		MATERIAL		QUANTITY
		 OPEN SOURCE ECOLOGY GERMANY OSEG		 STIFTUNG		PART LICENCE		Steel C45		1
				CC.BY.SA 4.0		SCALE		SHEET		
						1:8		89 /90		