

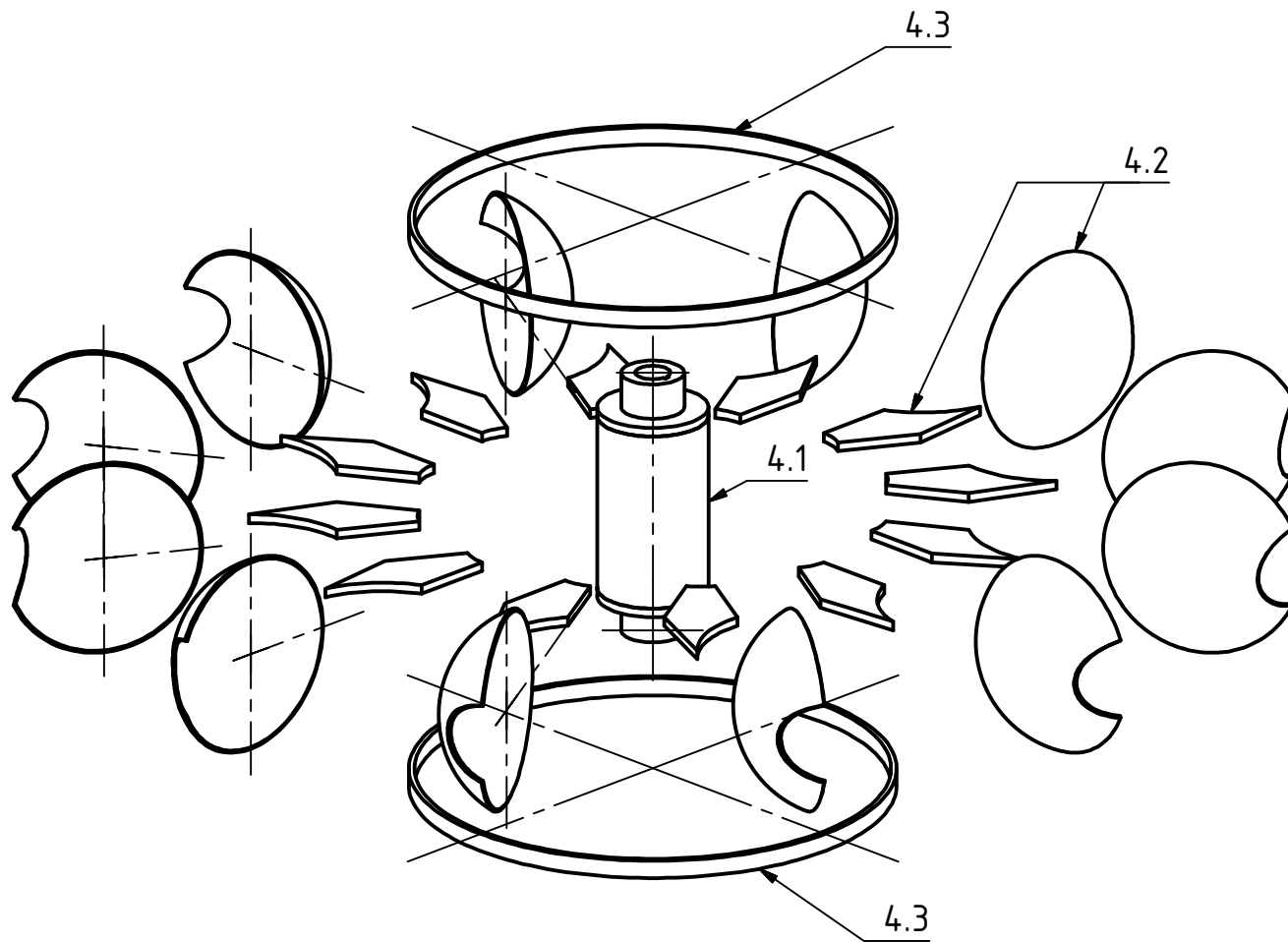




PROJECT		CREATED BY	APPROVED BY	DATE	VERSION
PROJECT NAME		D.MOSQUERA	A. MORILLO	20-05-21	1.0
PART NAME		FILE NAME			PART CODE
Turbine		oseg_hww_Turbine.iam			4.0
DEVELOPED BY	REDESIGNED BY	SUPPORTED BY	DOC. TYPE	MATERIAL	QUANTITY
	 OPEN SOURCE ECOLOGY GERMANY		ASSEMBLY		1
UNICEF	OSEG	E.ON STIFTUNG	LICENCE	SCALE	SHEET
			CC-BY-SA 4.0	1:8	26 /38



PROJECT		CREATED BY	APPROVED BY	DATE	VERSION
PROJECT NAME		D.MOSQUERA	A. MORILLO	20-05-21	1.0
PART NAME		FILE NAME			PART CODE
Turbine		oseg_hww_Turbine.ipn			4.0
DEVELOPED BY	REDESIGNED BY	SUPPORTED BY	DOC. TYPE	MATERIAL	QUANTITY
	 OPEN SOURCE ECOLOGY GERMANY		ASSEMBLY		1
UNICEF	OSEG	E.ON STIFTUNG	LICENCE	SCALE	SHEET
			CC-BY-SA 4.0	1:8	27 /38