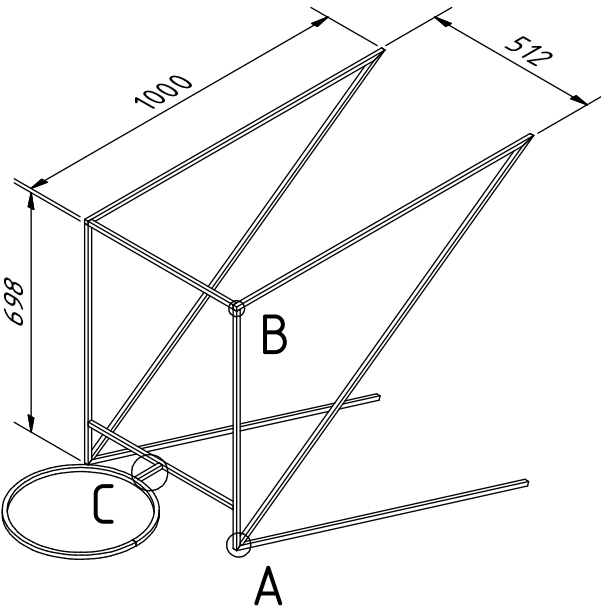
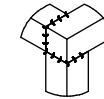
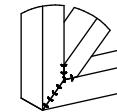
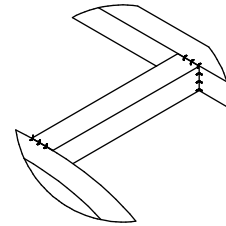



C (1 : 3)

A (1 : 3) B (1 : 3)



Note: All units in mm.

PROJECT	CREATED BY	APPROVED BY	DATE	VERSION
Segner turbine for 4m pit	J. ZERON	A. MORILLO	04/11/2021	1.0
PART NAME	FILE NAME			POS
Frame	Frame.ipn			4.0
DEVELOPED BY	REDESIGNED BY	DOC. TYPE	MATERIAL	QUANTITY
Ueli Meier, Markus Eisenring, Alex Arter	 OPEN SOURCE ECOLOGY GERMANY	Assembly		1
		LICENCE	SCALE	SHEET
		CC-BY-SA 4.0	1:18	22 /27

OSEG