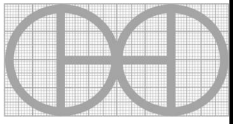
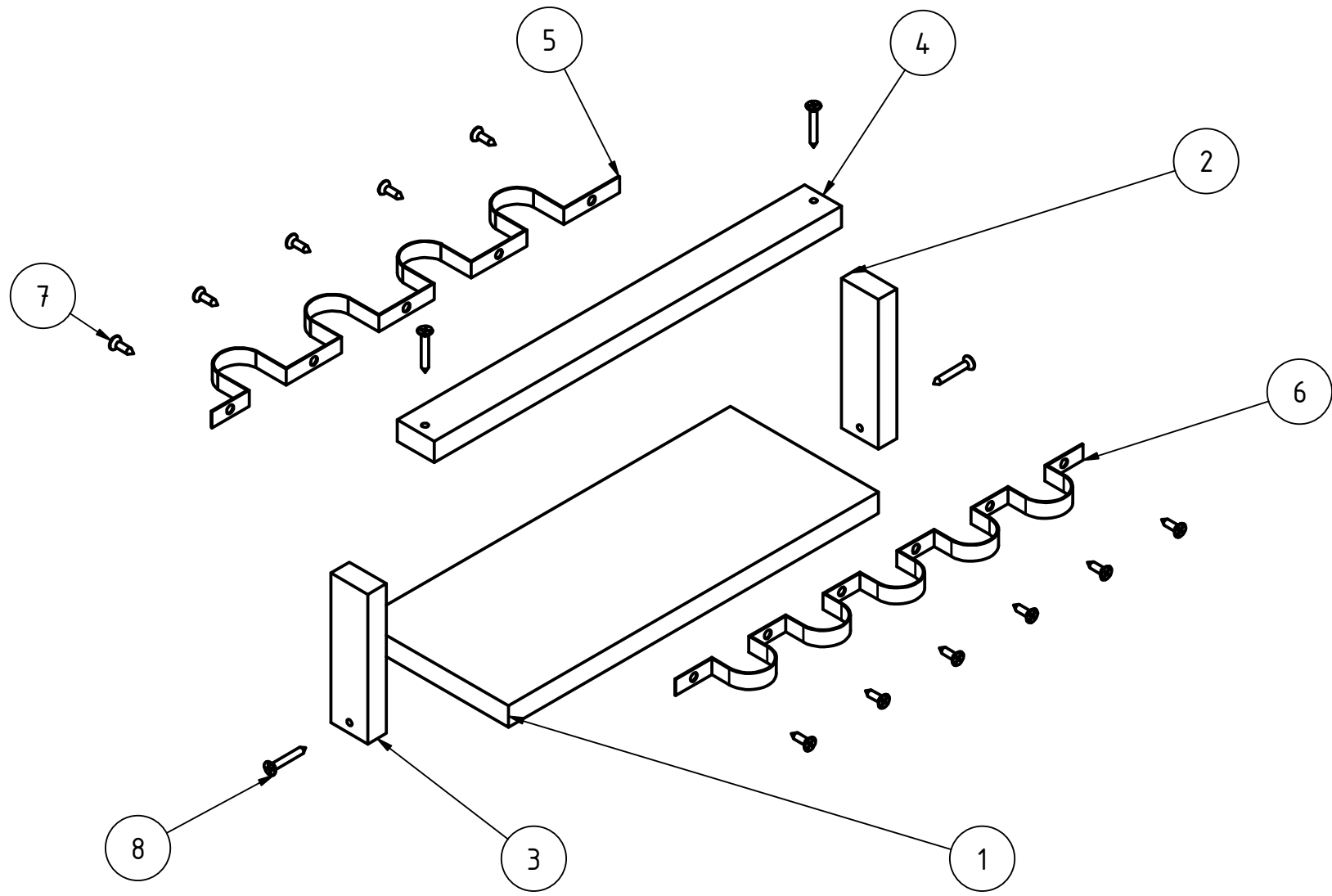
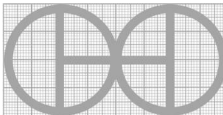


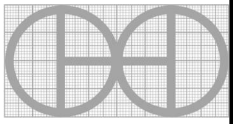
PROJECT		CREATED BY	APPROVED BY	DATE	VERSION
TEST TUBE STAND		E. CEBALLOS	A. MORILLO	15-05-2021	1.0
PART NAME		FILE NAME			PART CODE
TEST TUBE STAND		TEST TUBE STAND			A1
DEVELOPED BY	REDESIGNED BY	SUPPORTED BY	DOC. TYPE	MATERIAL	QUANTITY
			ASSEMBLY	WOOD AND STEEL	1
AMERICAN PEACE CORPS		OHO e.V.	LICENCE	SCALE	SHEET
			CC-BY-SA 4.0	1:4	1 / 9

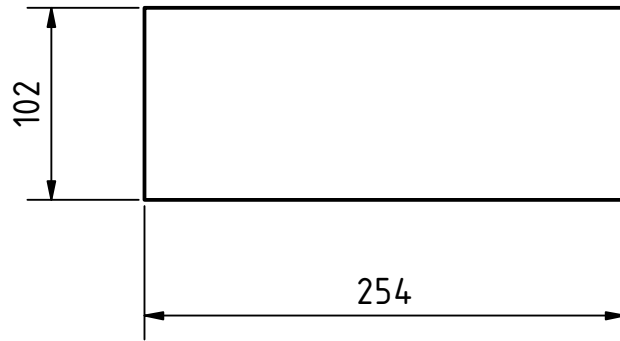
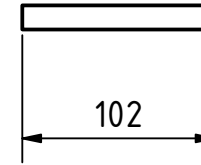
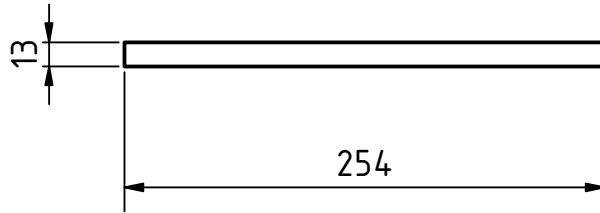


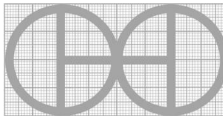
PROJECT		CREATED BY	APPROVED BY	DATE	VERSION
TEST TUBE STAND		E. CEBALLOS	A. MORILLO	15-05-2021	1.0
PART NAME		FILE NAME			PART CODE
Test Tube Stand		Test_Tube_Stand.ipn			A2
DEVELOPED BY	REDESIGNED BY	SUPPORTED BY	DOC. TYPE	MATERIAL	QUANTITY
			ASSEMBLY	WOOD AND STEEL	1
AMERICAN PEACE CORPS		OHO e.V.	LICENCE	SCALE	SHEET
			CC-BY-SA 4.0	1:3	2 / 9

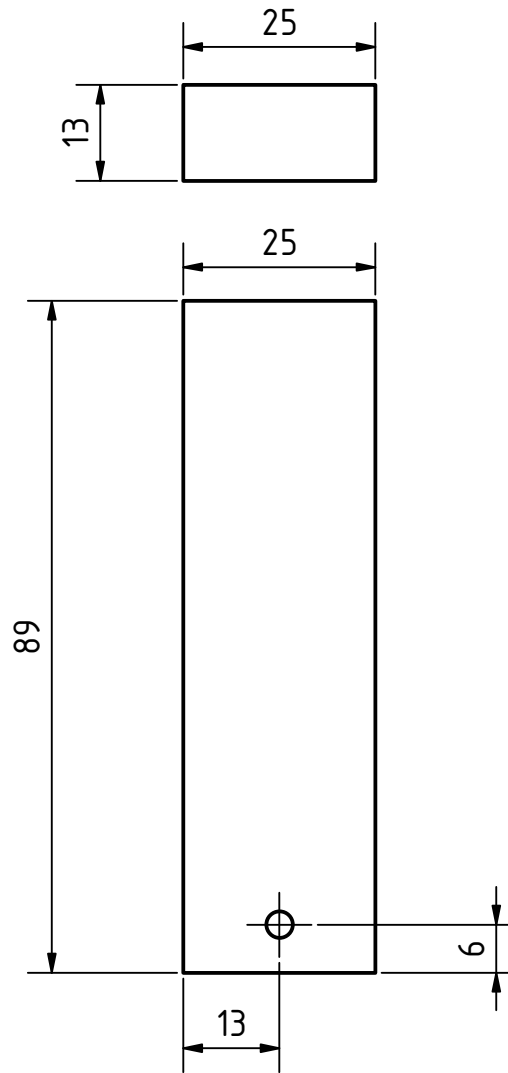
**PART LIST**

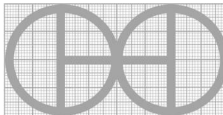
POS	POS.OLD	QTY	PART NAME	FILE NAME	PART TYPE	SPECIFICATIONS	SHEET
A			Test Tube Stand	Test_Tube_Stand.iam			1-2
B			Part List				3
1		1	Base	base.ipt	Production	Wood, thickness 1/2"	4
2		1	Vertical_support_1	Vertical_support_1.ipt	Production	Wood, thickness 1/2"	5
3		1	Vertical_support_2	Vertical_support_2.ipt	Production	Wood, thickness 1/2"	6
4		1	Upper_part	Upper_part.ipt	Production	Wood, thickness 1/2"	7
5		1	Band_1	Band_1.ipt	Production	Stainless steel 3/8" x 0,64 mm	8
6		1	Band_2	Band_2.ipt	Production	Stainless steel 3/8" x 0,64 mm	9
7		11	Short Screw		Standard	DIN EN ISO 7050 - C-H ST3,5x13 C	
8		4	Long Screw		Standard	DIN EN ISO 7050 - C-H ST3,5x32 C	

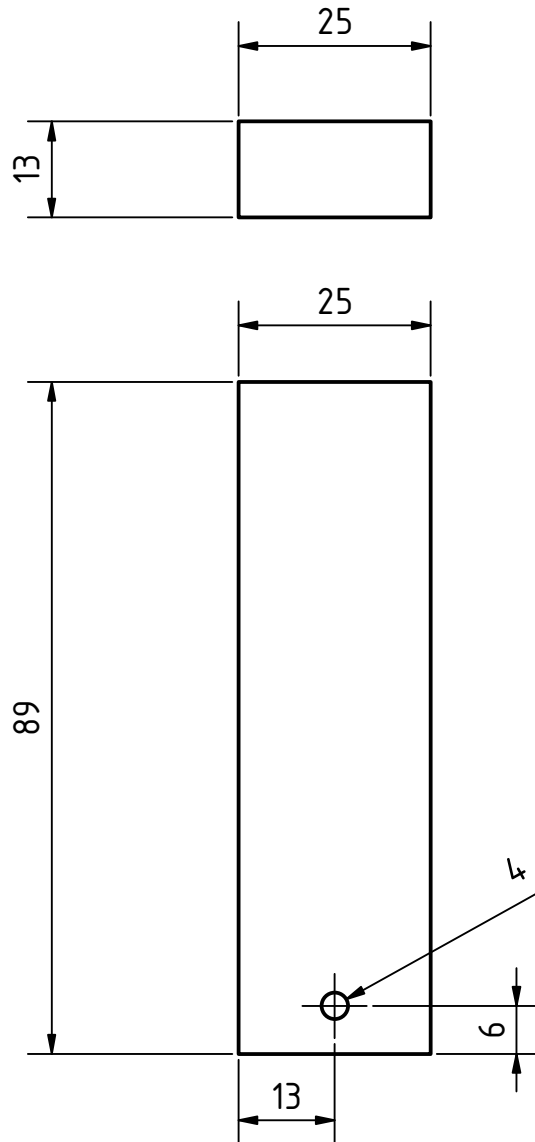
PROJECT		CREATED BY	APPROVED BY	DATE	VERSION
TEST TUBE STAND		E. CEBALLOS	A. MORILLO	15-05-2021	1.0
PART NAME		FILE NAME			PART CODE
PART LIST					B1
DEVELOPED BY	REDESIGNED BY	SUPPORTED BY	DOC. TYPE	MATERIAL	QUANTITY
			PART LIST		
AMERICAN PEACE CORPS		OHO e.V.	LICENCE	SCALE	SHEET
			CC-BY-SA 4.0		3 / 9

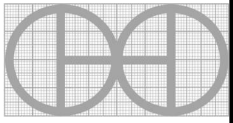


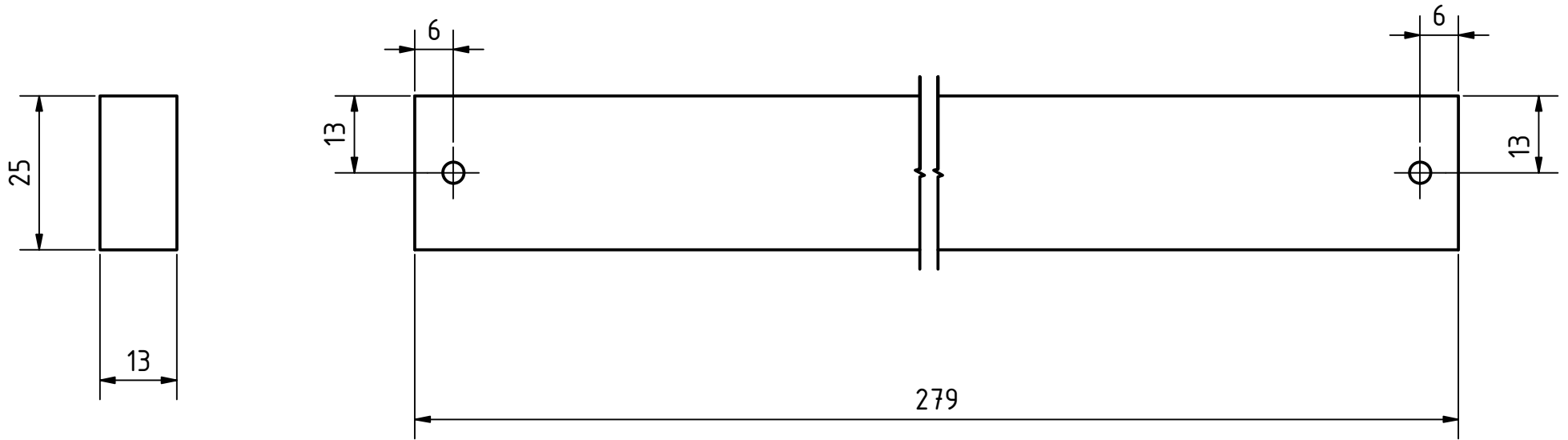
PROJECT		CREATED BY	APPROVED BY	DATE	VERSION
TEST TUBE STAND		E. CEBALLOS	A. MORILLO	15-05-2021	1.0
PART NAME		FILE NAME			PART CODE
Base		base.ipn			1
DEVELOPED BY	REDESIGNED BY	SUPPORTED BY	DOC. TYPE	MATERIAL	QUANTITY
			ASSEMBLY	Wood	1
AMERICAN PEACE CORPS		OHO e.V.	LICENCE	SCALE	SHEET
			CC-BY-SA 4.0	1:4	4 /9

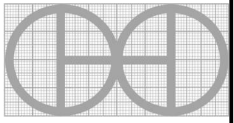


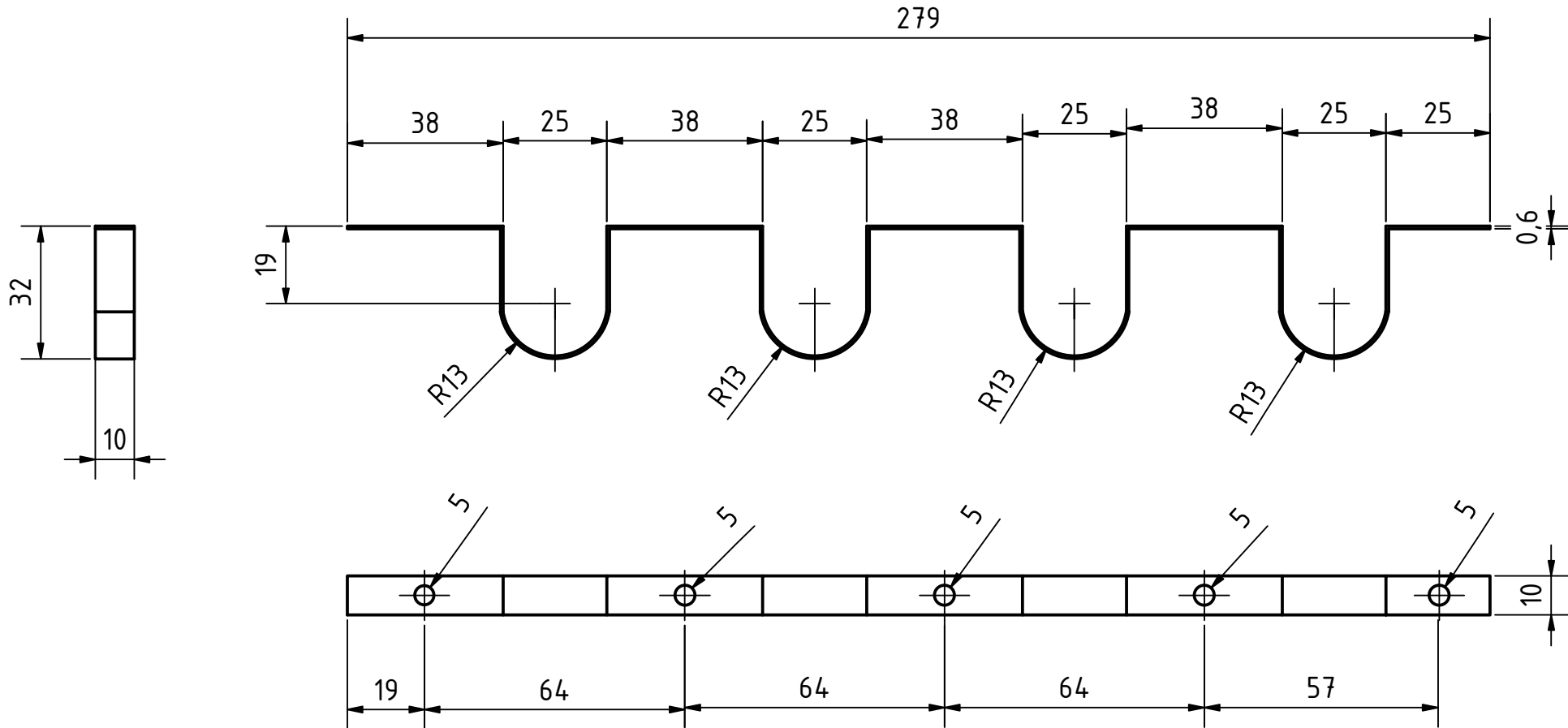
PROJECT		CREATED BY	APPROVED BY	DATE	VERSION
TEST TUBE STAND		E. CEBALLOS	A. MORILLO	15-05-2021	1.0
PART NAME		FILE NAME			PART CODE
Vertical_support_1		Vertical_support.ipn			2
DEVELOPED BY	REDESIGNED BY	SUPPORTED BY	DOC. TYPE	MATERIAL	QUANTITY
			PART	Wood	1
AMERICAN PEACE CORPS		OHO e.V.	LICENCE	SCALE	SHEET
			CC-BY-SA 4.0	2:1	5 / 9

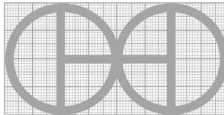


PROJECT		CREATED BY	APPROVED BY	DATE	VERSION
TEST TUBE STAND		E. CEBALLOS	A. MORILLO	15-05-2021	1.0
PART NAME		FILE NAME			PART CODE
Vertical_support_2		Vertical_support_MIR.ipn			3
DEVELOPED BY	REDESIGNED BY	SUPPORTED BY	DOC. TYPE	MATERIAL	QUANTITY
				Wood	1
AMERICAN PEACE CORPS OHO e.V.			LICENCE	SCALE	SHEET
			CC-BY-SA 4.0	1:1	6 / 9

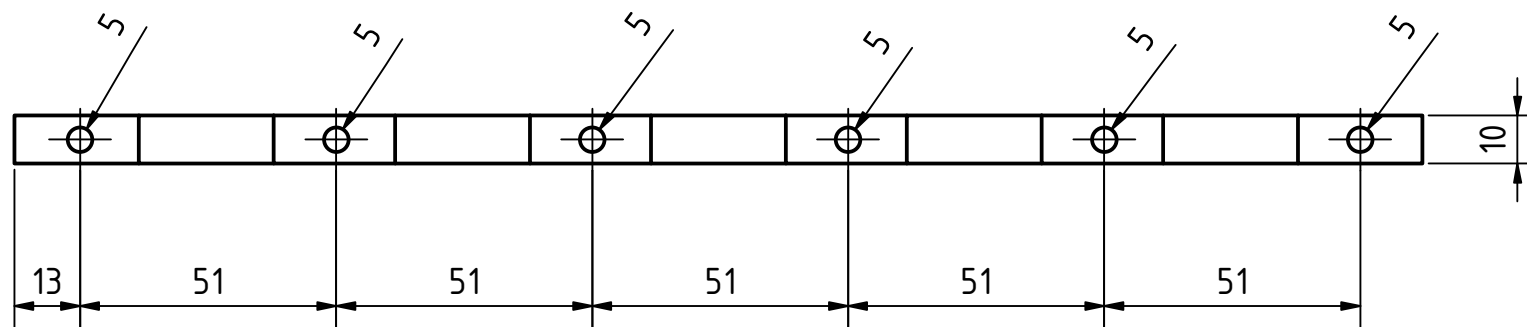
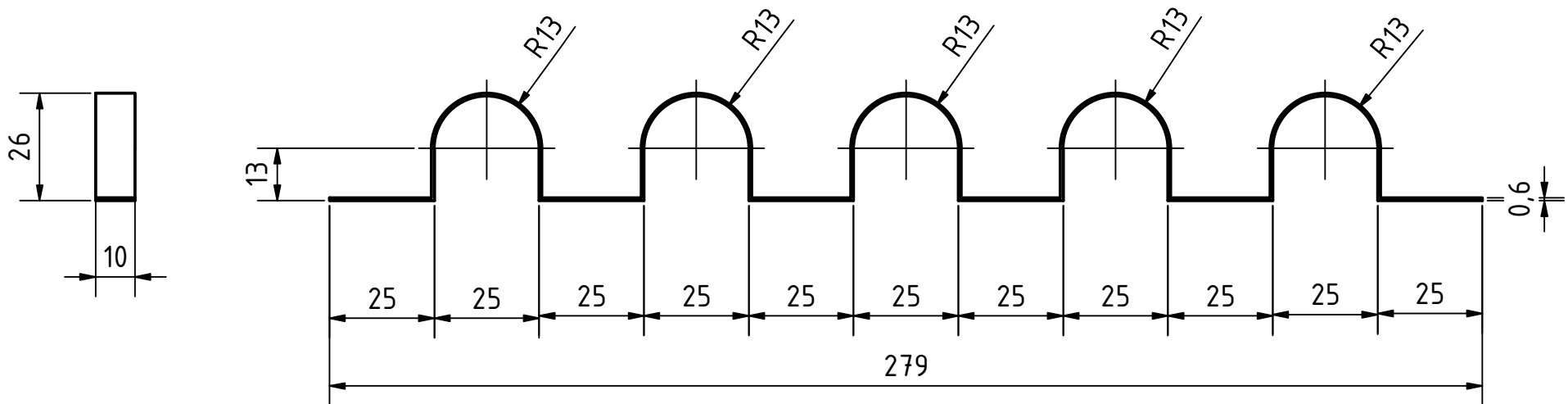


PROJECT		CREATED BY		APPROVED BY		DATE		VERSION	
TEST TUBE STAND		E. CEBALLOS		A. MORILLO		15-05-2021		1.0	
PART NAME			FILE NAME					PART CODE	
Uppert_part			uppert_part.ipn					4	
DEVELOPED BY		REDESIGNED BY		SUPPORTED BY		DOC. TYPE	MATERIAL		QUANTITY
							Wood		1
						LICENCE		SCALE	SHEET
AMERICAN PEACE CORPS		OHO e.V.				CC-BY-SA 4.0		1:1	7 / 9



PROJECT		CREATED BY	APPROVED BY	DATE	VERSION
TEST TUBE STAND		E. CEBALLOS	A. MORILLO	15-05-2021	1.0
PART NAME		FILE NAME			PART CODE
Band_1		band.ipn			5
DEVELOPED BY	REDESIGNED BY	SUPPORTED BY	DOC. TYPE	MATERIAL	QUANTITY
				Stainless steel	1
AMERICAN PEACE CORPS		OHO e.V.	LICENCE	SCALE	SHEET
			CC-BY-SA 4.0	1:1.5	8 / 9





PROJECT		CREATED BY	APPROVED BY	DATE	VERSION
TEST TUBE STAND		E. CEBALLOS	A. MORILLO	15-05-2021	1.0
PART NAME		FILE NAME			PART CODE
Band_2		Band_2.ipn			6
DEVELOPED BY	REDESIGNED BY	SUPPORTED BY	DOC. TYPE	MATERIAL	QUANTITY
				Stainless steel	1
AMERICAN PEACE CORPS		OHO e.V.	LICENCE	SCALE	SHEET
			CC-BY-SA 4.0	1:1.5	9 / 9