

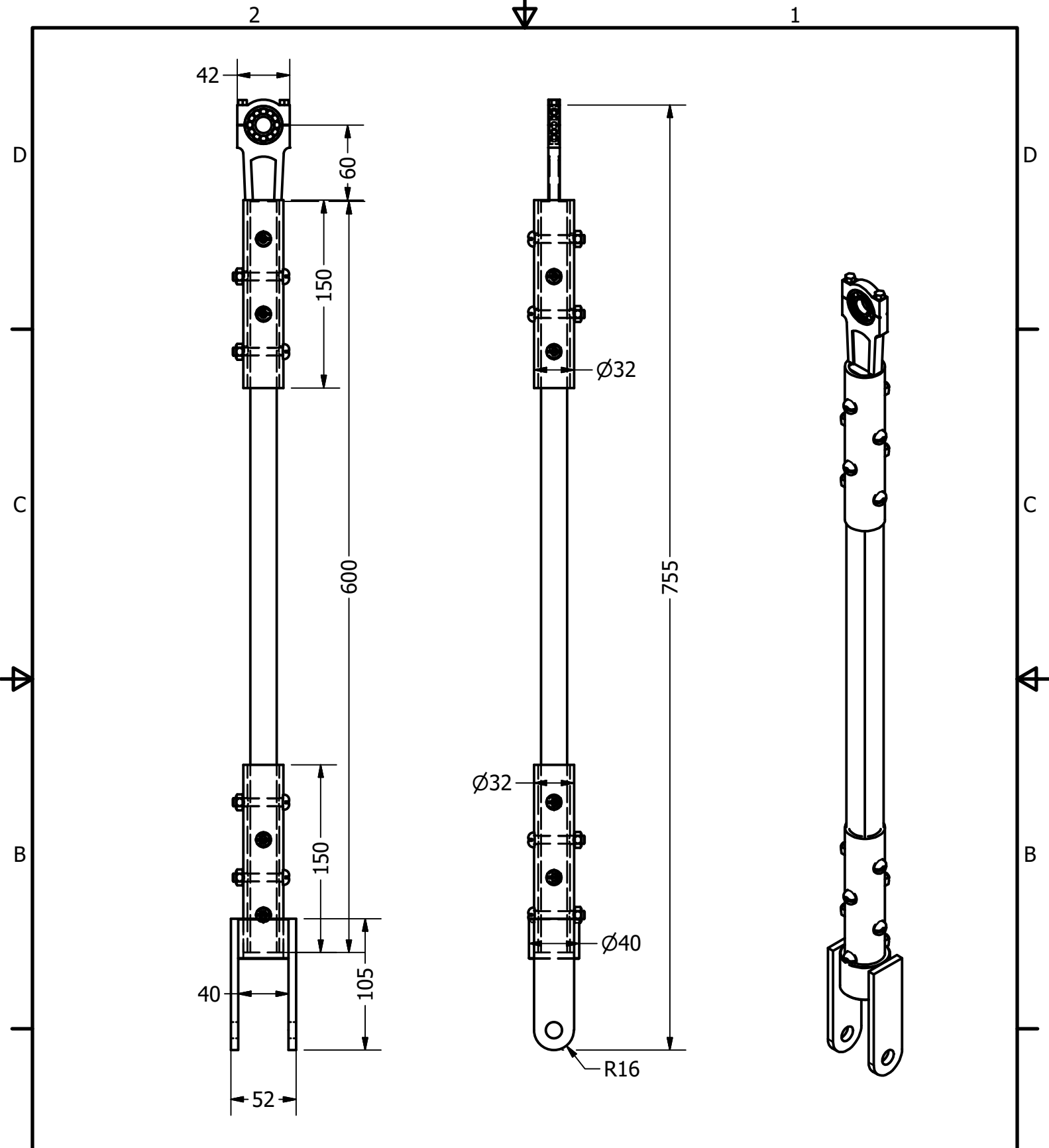


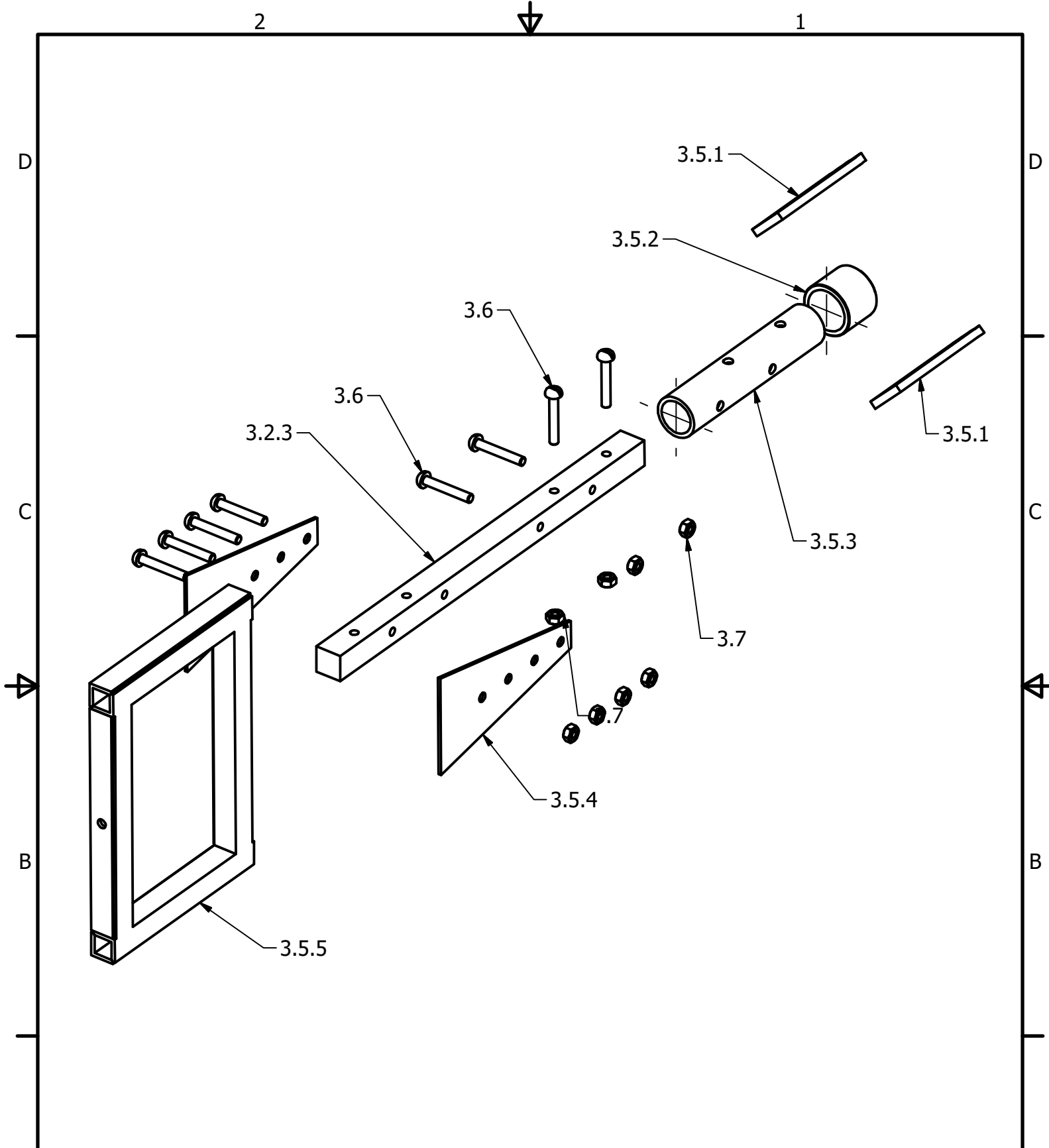




Proyect Wind Mill Pump		Created by D. Mosquera		Approved by D. Jaeger	
Part Name Horizontal Connecting Rod		Part Code 3.2		Document Type Assembly	
Redesigned by  OPEN SOURCE ECOLOGY GERMANY		Supported by  E.ON STIFTUNG		License CC BY-SA 4.0	
		File Name seg_wmp_horizontal-connecting-rod		Version iam 1.0	
		Scale 1 / 4		Quantity 24	
				Date 28.02.21	



Proyect Wind Mill Pump		Created by D. Mosquera		Approved by D. Jaeger	
Part Name Horizontal Connecting Rod		Part Code 3.2		Document Type Assembly	
Redesigned by  OPEN SOURCE ECOLOGY GERMANY		Supported by  E.ON STIFTUNG		License CC BY-SA 4.0	
		File Name wmp horizontal-connecting-rod		Version 1.0	
		Scale 1 / 4		Quantity 1	
				Sheet 23	
				Date 28.02.21	



Proyect Wind Mill Pump		Created by D. Mosquera		Approved by D. Jaeger	
Part Name Adjustable Pumprod Forkend		Part Code 3.2		Document Type Assembly	
Redesigned by  OPEN SOURCE ECOLOGY GERMANY		Supported by  E.ON STIFTUNG		License CC BY-SA 4.0	
		File Name wmp_adjustable-pumprod-forkend.diam 1.0		Version 1.0	
		Scale 1 / 3.5		Quantity 31	
				Date 28.02.21	