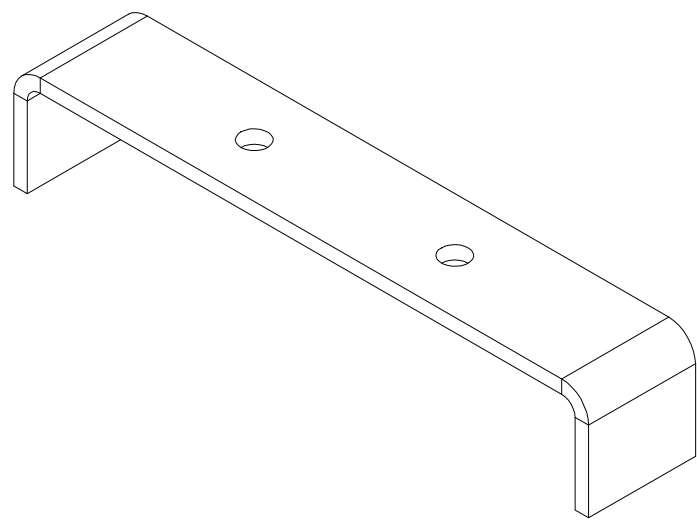
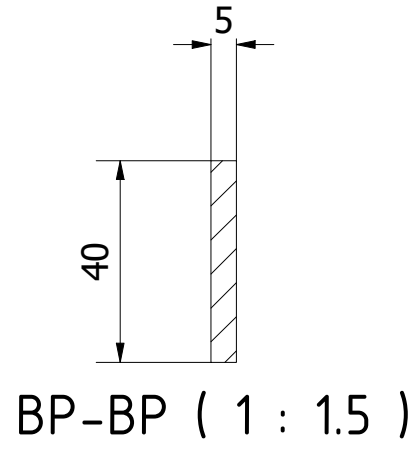
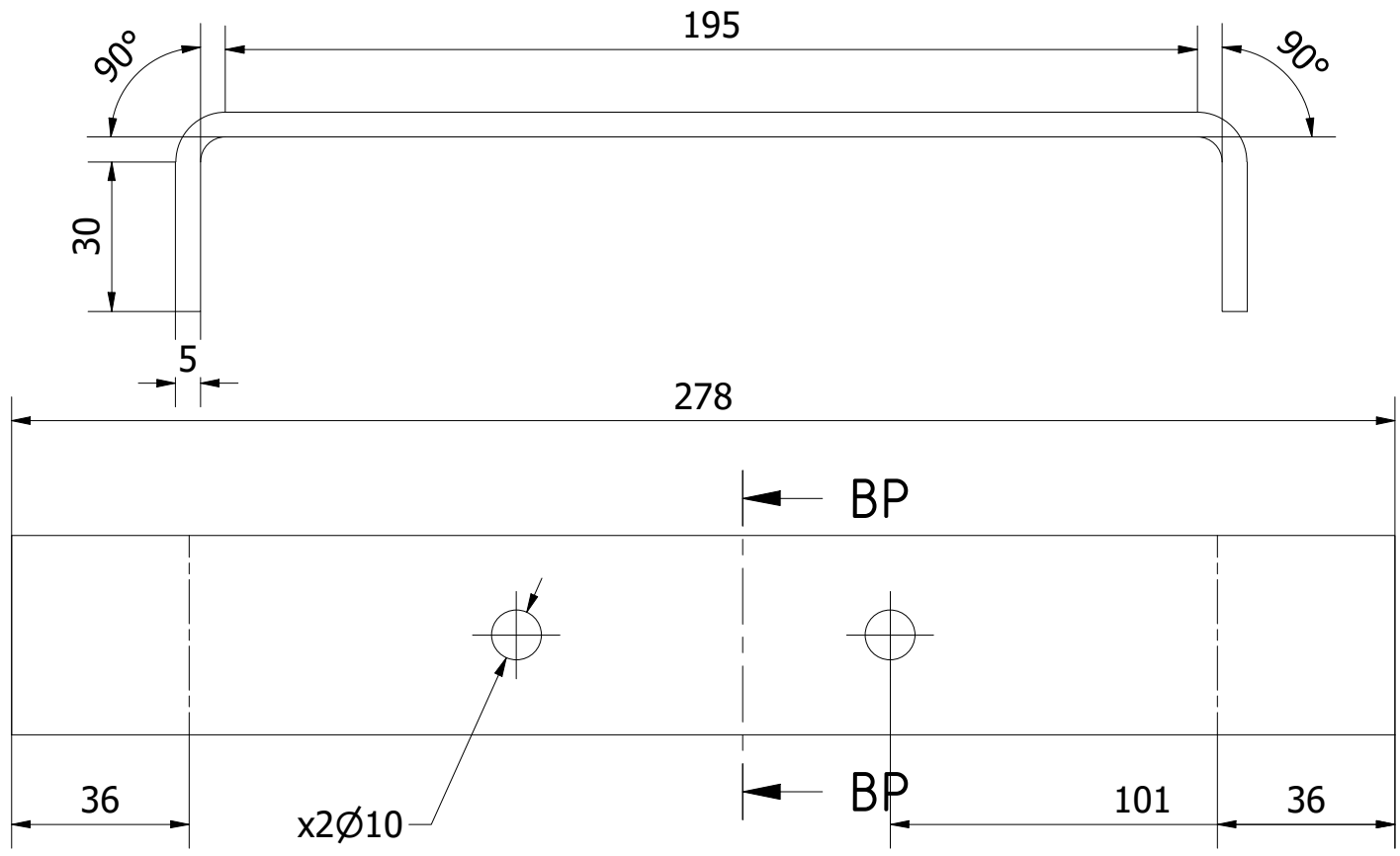


Note: This part is bended.



Note: All units in mm.

PROJECT Convertible Bicycle Trailer for People - with shock absorber		CREATED BY J. Rosciano	APPROVED BY A. Morillo	DATE 26/07/2021	VERSION 1.1
PART NAME Flat plate 215		FILE NAME Flat plate 215.ipt			POS 4.1
DEVELOPED BY Practical Action	REDESIGNED BY OHO e.V.	DOC. TYPE Part	MATERIAL ASTM A36	QUANTITY 1	
		LICENCE CC-BY-SA 4.0	SCALE 1/1.5	SHEET 27 /51	