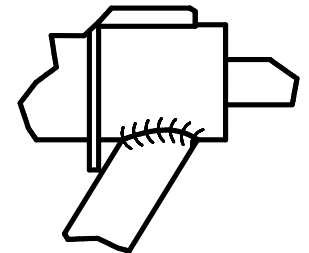
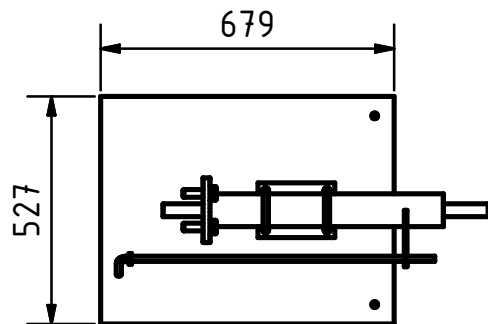
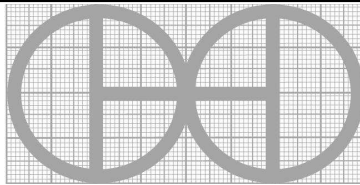


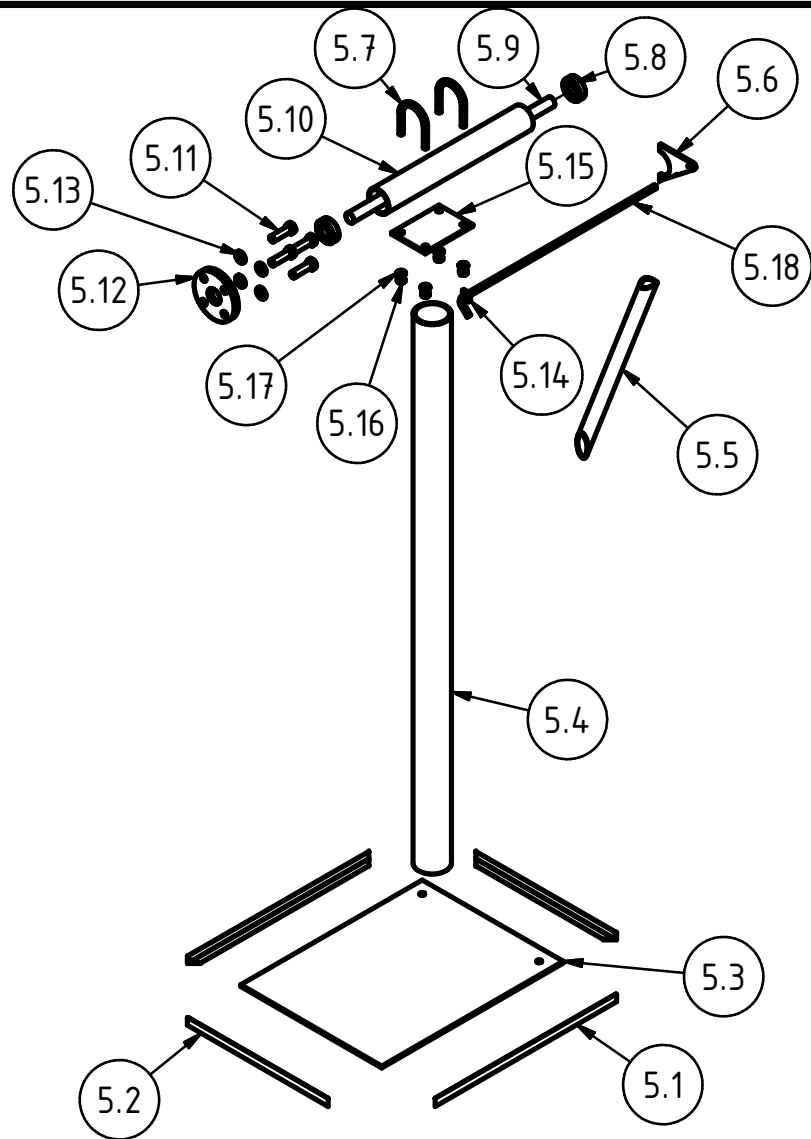
E (1 : 7.5)

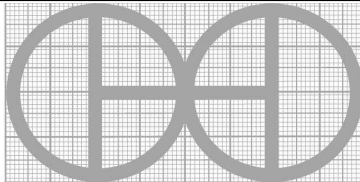


F (1 : 5)



PROJECT Heavy duty drill press made from auto parts	CREATED BY E. Araujo	APPROVED BY A. Morillo	DATE 02/11/2021	VERSION 1.0
PART NAME Base drill	FILE NAME lhh_hda_heavy_duty_drill_press_made_from_auto.idw			POS 5.0
PUBLISHED BY OHO e.V.		DOC. TYPE Assembly	MATERIAL	QUANTITY
		LICENCE CC-BY-SA 4.0	SCALE 1:17.5	SHEET 43 /70



PROJECT Heavy duty drill press made from auto parts	CREATED BY E. Araujo	APPROVED BY A. Morillo	DATE 02/11/2021	VERSION 1.0	
PART NAME Base drill	FILE NAME lhh_hda_heavy_duty_drill_press_made_from_auto.idw			POS 5.0	
PUBLISHED BY OHO e.V.			DOC. TYPE Assembly	MATERIAL	QUANTITY
			LICENCE CC-BY-SA 4.0	SCALE 1:20	SHEET 44 /70