

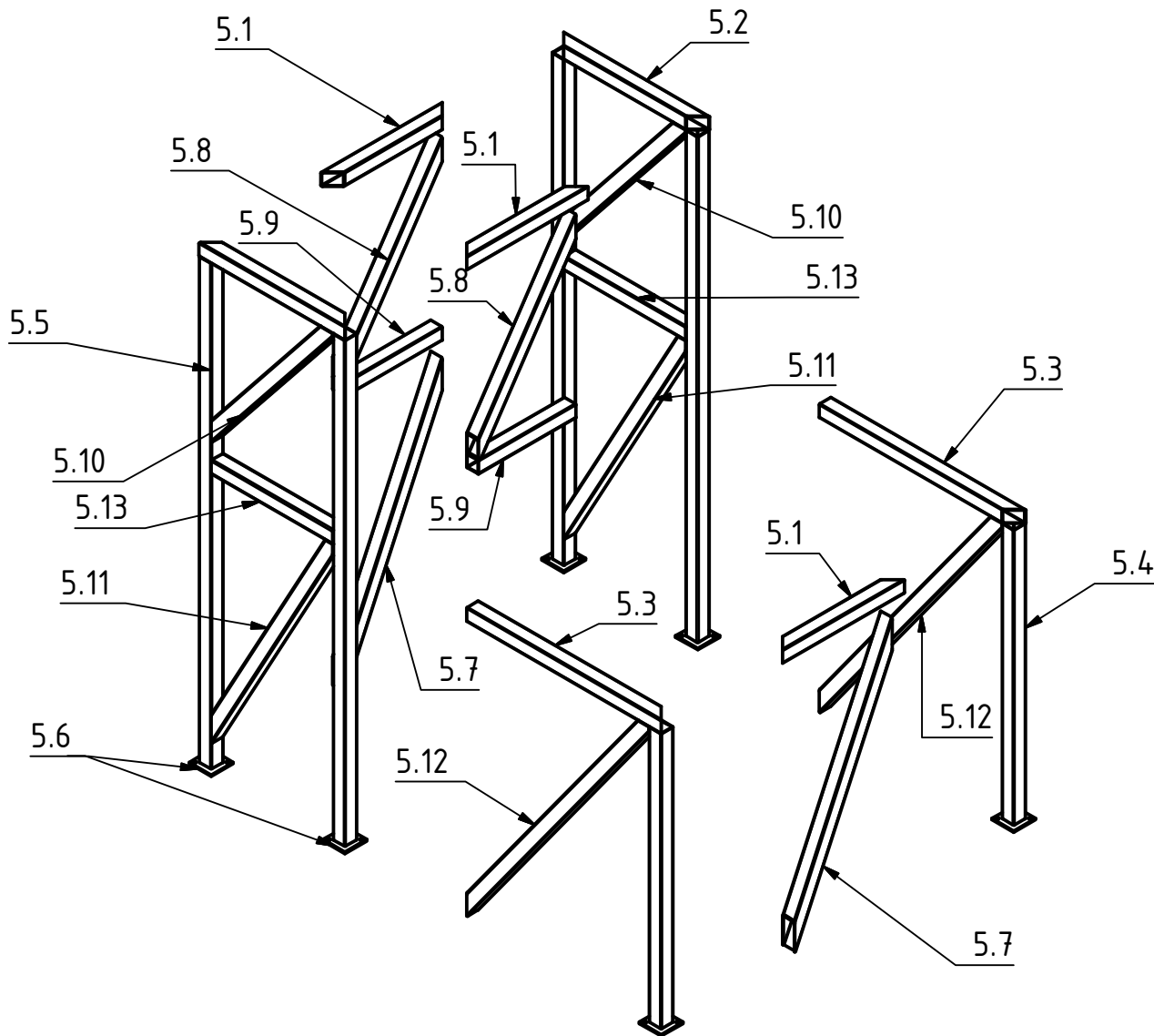




PROJECT		CREATED BY	APPROVED BY		
ZIGZAG SOLAR WATER HEATER		D. MOSQUERA	D. JAEGER		
PART NAME		PART CODE	DOCUMENT TYPE	MATERIAL	
foundation - structure 1		5.0	ASSEMBLY	STEEL A36	
DEVELOPED BY	REDESIGNED BY	LICENCE	FILE NAME	VERSION	QUANTITY
		CERN-OHL	foundation-structure1.iam	1.1	1
WOT-UNIVERSITY OF TWENTE			SCALE	SHEET	DATE
			1:20	35 /54	4/3/2021



PROJECT		CREATED BY	APPROVED BY		
ZIGZAG SOLAR WATER HEATER		D. MOSQUERA	D. JAEGER		
PART NAME		PART CODE	DOCUMENT TYPE	MATERIAL	
foundation-structure1		5.0	ASSEMBLY	STEEL A36	
DEVELOPED BY	REDESIGNED BY	LICENCE	FILE NAME	VERSION	QUANTITY
		CERN-OHL	foundation-structure1.iam	1.1	1
WOT-UNIVERSITY OF TWENTE			SCALE	SHEET	DATE
			1:16	36 /54	4/3/2021