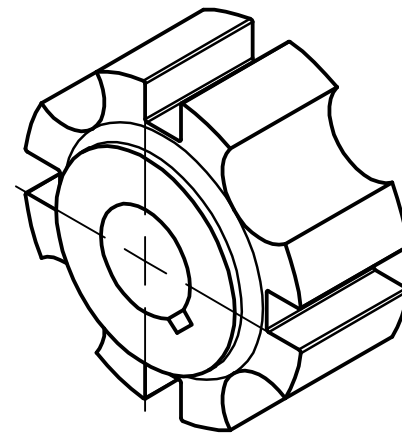



SECTION J-J



Project Small water turbine		Created by D. Mosquera		Approved by D. Jeager	
Part Name slotter disk		Part Code 9		Document Type part	
Material ALUMINIUM		Version 1.0		Quantity 1	
Redesigned by  OPEN SOURCE ECOLOGY GERMANY		Original drawing from Practical ACTION		License CERN-OHL	
File Name oseg_swt_slotted-disk.ipt		Scale 1 : 1		Sheet 24	
Date 18.01.21					