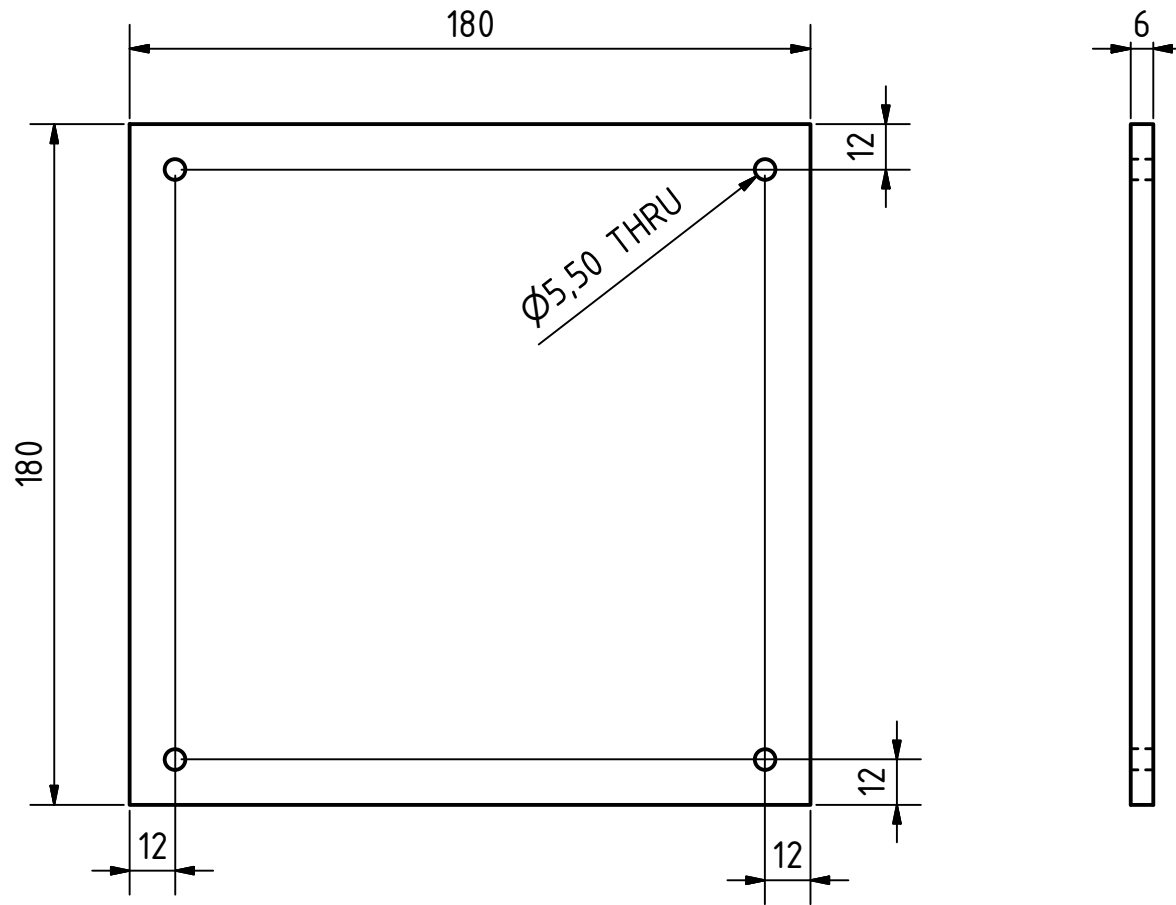
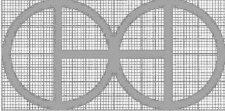


SCALE (1 : 3)



SCALE (1 : 2)

Note: All units in mm.

PROJECT Peeling Machine for Sunflower Seeds		CREATED BY L. Ruda		APPROVED BY A. Morillo		DATE 16/09/2021	VERSION 1.0	
PART NAME Drive plate		FILE NAME Drive plate.ipt					POS 4.2.0	
DEVELOPED BY		REDESIGNED BY 		DOC. TYPE Part	MATERIAL Steel A53		QUANTITY 1	
Tropical Products Institute		OHO e.V.		LICENCE CC-BY-SA 4.0		SCALE 1:2	SHEET 53 /71	