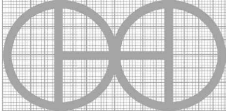
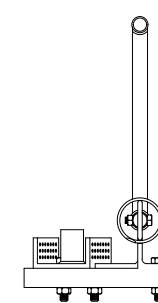
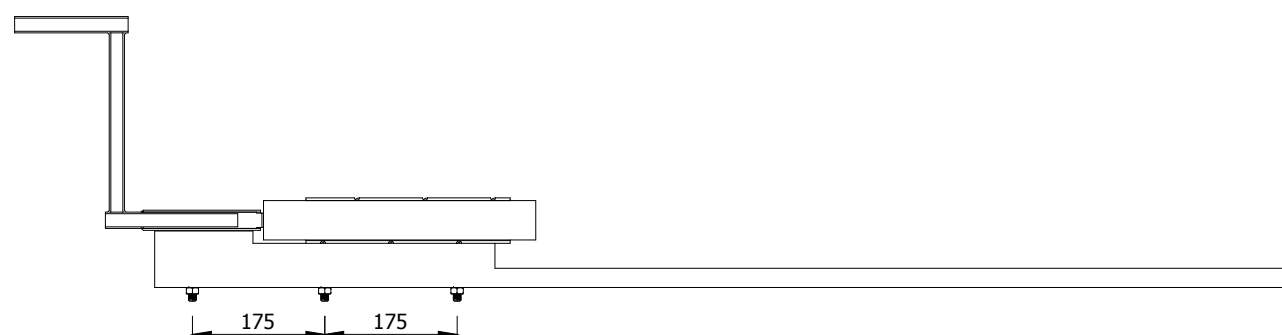
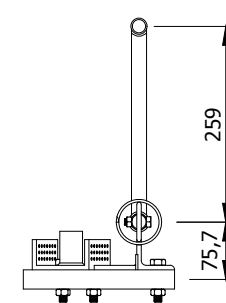
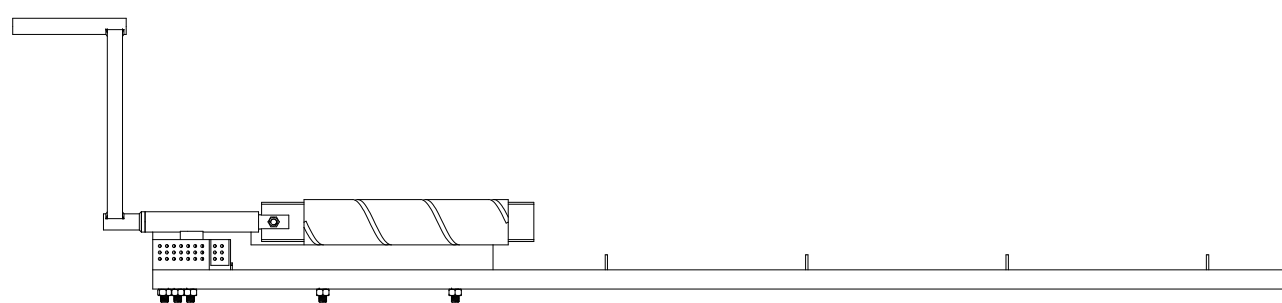
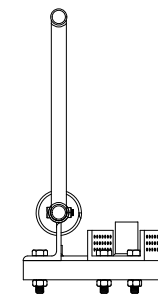
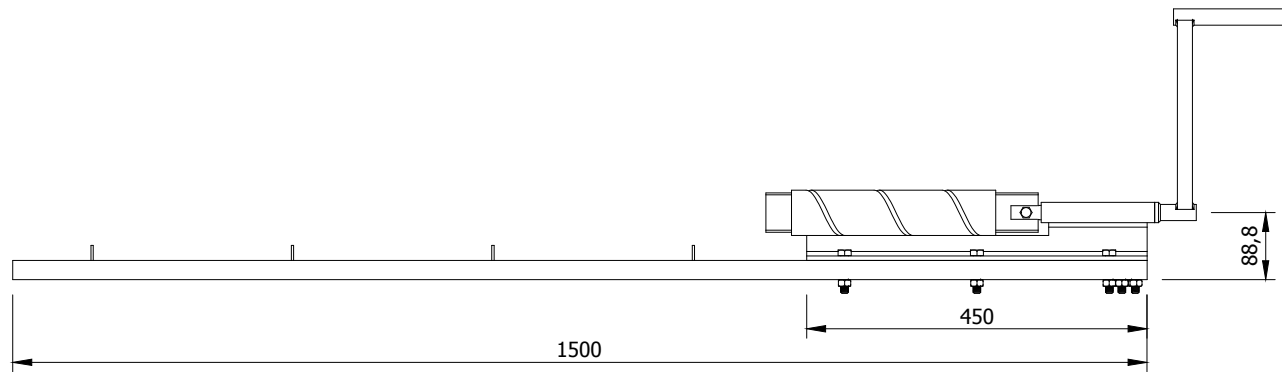


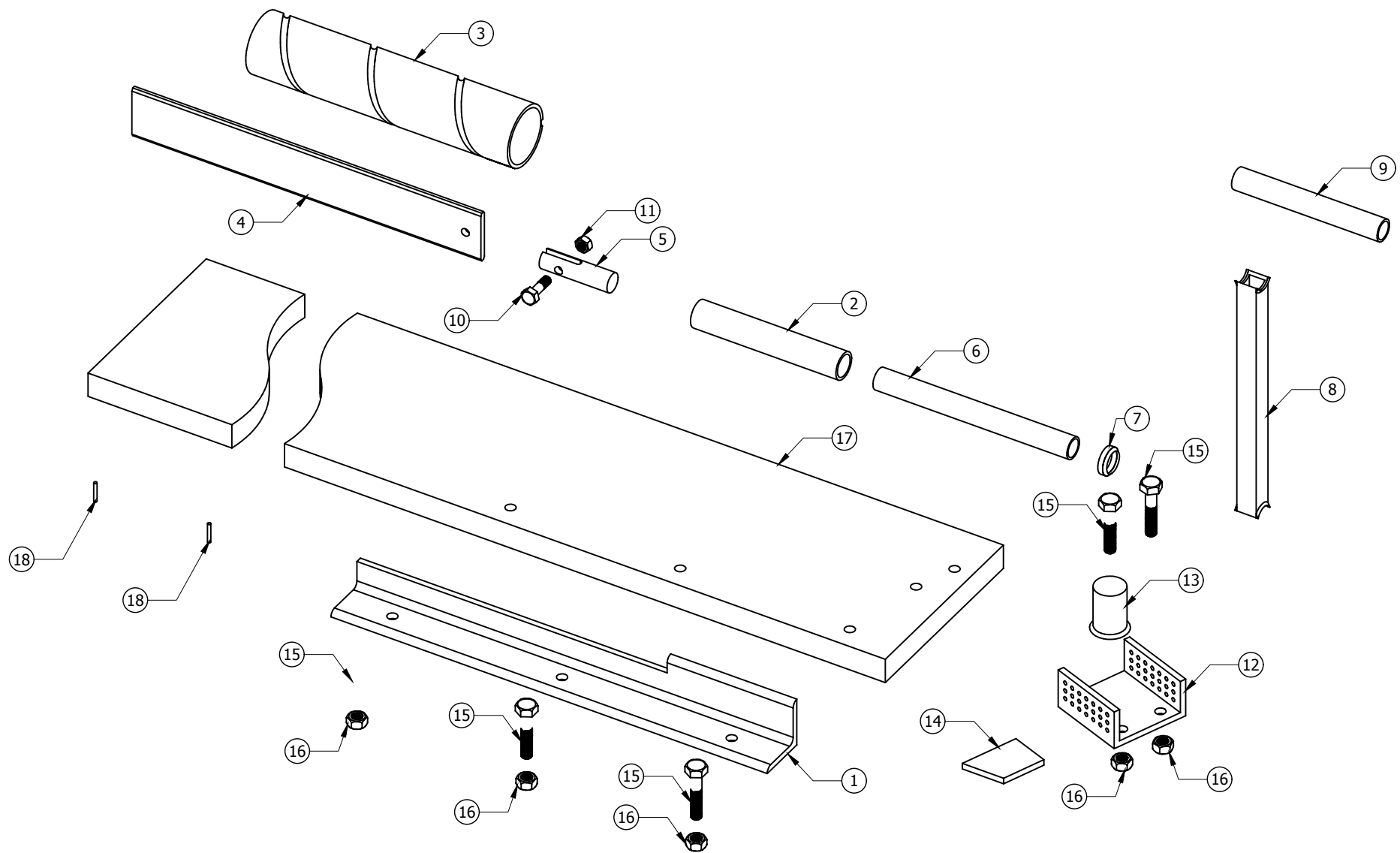
Note: All units in mm.

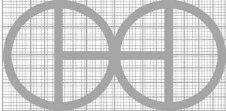
PROJECT	CREATED BY	APPROVED BY	DATE	VERSION
Fence Making Machine	E. Araujo	A. Morillo	23-06-2021	1.0
PART NAME	FILE NAME			POS
3d views	Fence_making_machine.dwg			A1
DEVELOPED BY	REDESIGNED BY	DOC. TYPE	MATERIAL	QUANTITY
		Assembly		1
Developed by	OHO e.V.	LICENCE	SCALE	SHEET
		CC-BY-SA 4.0	1:7.5	1/17



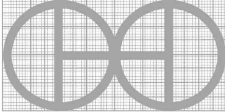
Note: All units in mm.

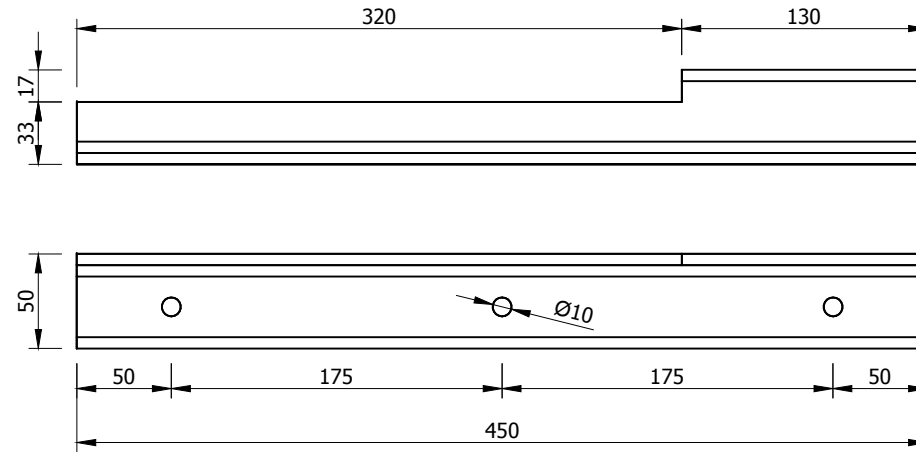
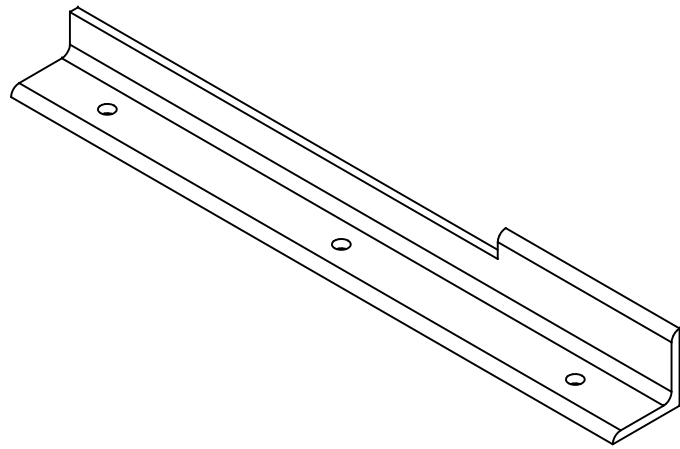
PROJECT		CREATED BY		APPROVED BY		DATE		VERSION	
Fence Making Machine		E. Araujo		A. Morillo		23-06-2021		1.0	
PART NAME			FILE NAME					POS	
3d views			Fence_making_machine.dwg					A1	
DEVELOPED BY		REDESIGNED BY		DOC. TYPE		MATERIAL		QUANTITY	
Developed by		OHO e.V.		Assembly				1	
				LICENCE		SCALE		SHEET	
				CC-BY-SA 4.0		1:10		2/17	



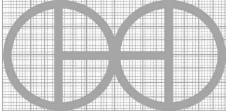
PROJECT	CREATED BY	APPROVED BY	DATE	VERSION
Fence Making Machine	E. Araujo	A. Morillo	23-06-2021	1.0
PART NAME	FILE NAME			POS
Exploded 3d view	Fence_making_machine.dwg			A2
DEVELOPED BY	REDESIGNED BY	DOC. TYPE	MATERIAL	QUANTITY
		Assembly		1
Developed by	OHO e.V.	LICENCE	SCALE	SHEET
		CC-BY-SA 4.0	1:5	3/17

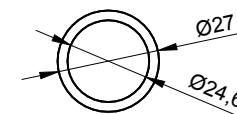
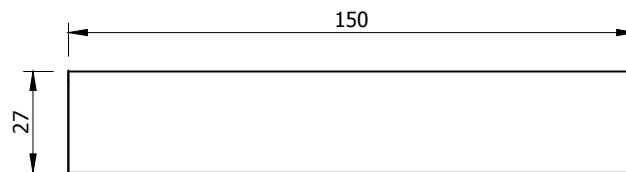
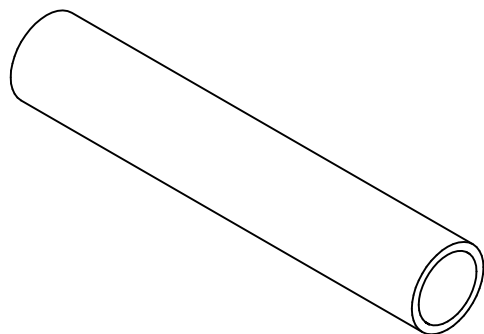
Parts list						
POS	QTY	PART NAME	FILE NAME	PART TYPE	SPECIFICATIONS	SHEET
A1	1	3d views	Fence_making_machine.dwg			1
A1		3d views	Fence_making_machine.dwg			2
A2		Exploded 3d view	Fence_making_machine.dwg			3
B1		Parts list	BI-MW_PARTLIST_fence_making_m.xlsx			4
1	1	Frame	Fence_making_machine.dwg	Production	Angle Steel A36	5
2	1	Bearing	Fence_making_machine.dwg	Production	Steam Tube Steel A36	6
3	1	Scroll	Fence_making_machine.dwg	Production	Steam Tube Steel A36	7
4	1	Blade	Fence_making_machine.dwg	Production	Car Leaf Spring Steel C45	8
5	1	Coupling	Fence_making_machine.dwg	Production	Round Bar Steel A36	9
6	1	Shaft	Fence_making_machine.dwg	Production	Steam Tube Steel A36	10
7	1	Shaft Stop	Fence_making_machine.dwg	Production	Steam Tube Steel A36	11
8	1	Arm	Fence_making_machine.dwg	Production	Square Tube Steel A36	12
9	1	Handle	Fence_making_machine.dwg	Production	Steam Tube Steel A36	13
10	1	Bolt	Fence_making_machine.dwg	Buy	M8 Bolt x 35	
11	1	Nut	Fence_making_machine.dwg	Buy	M8 Nut	
12	1	Wire Feeder	Fence_making_machine.dwg	Production	Channel Steel C45	14
13	1	Solid Bar	Fence_making_machine.dwg	Production	Round Bar Steel C45	15
14	1	Flat Bar	Fence_making_machine.dwg	Production	Flat Bar Steel C45	16
15	5	Bolt	Fence_making_machine.dwg	Buy	M8 Bolt x 50	
16	5	Nut	Fence_making_machine.dwg	Buy	M8 Nut	
17	1	Wooden Sheet For Support	Fence_making_machine.dwg	Production	Wood	17
18	4	Nail	Fence_making_machine.dwg	Buy	Headless Nails 50mm x 2.80mm	

PROJECT	CREATED BY	APPROVED BY	DATE	VERSION
Project name	D. Name	A. Morillo	dd/mm/yyyy	1.0
PART NAME	FILE NAME			POS
Parts list				B1
DEVELOPED BY	REDESIGNED BY	DOC. TYPE	MATERIAL	QUANTITY
		Parts list		
Developed by	OHO e.V.	LICENCE	SCALE	SHEET
		CC-BY-SA 4.0		4/17

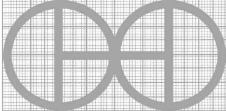


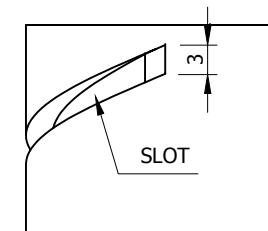
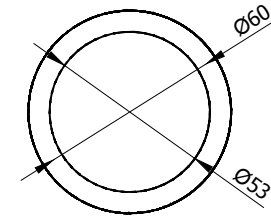
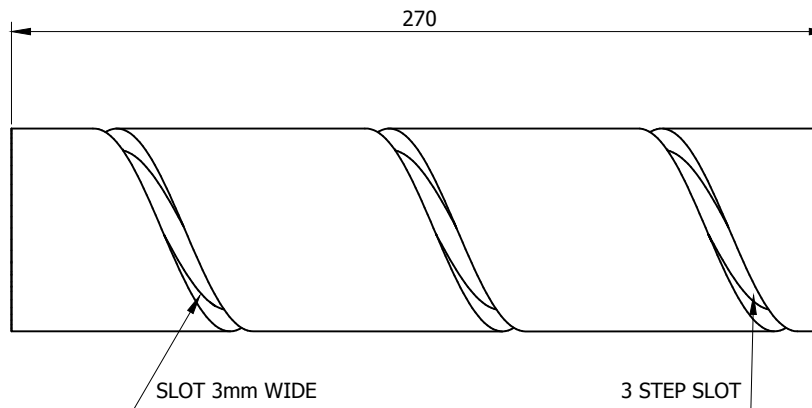
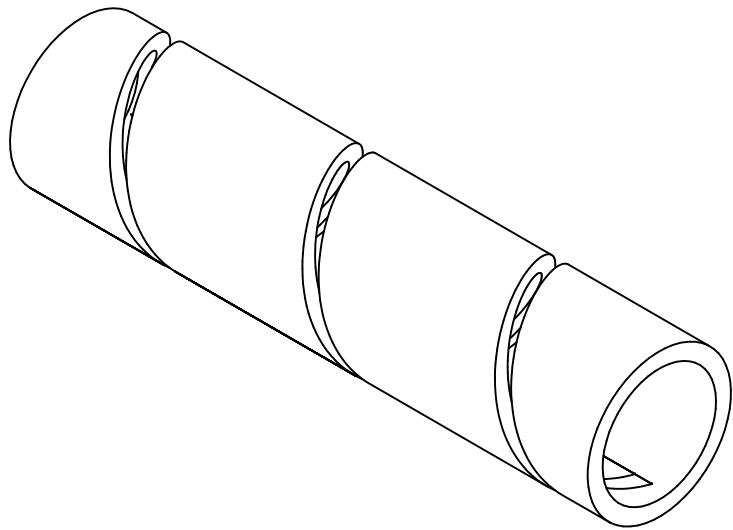
Note: All units in mm.

PROJECT	CREATED BY	APPROVED BY	DATE	VERSION
Fence Making Machine	E. Araujo	A. Morillo	23-06-2021	1.0
PART NAME	FILE NAME			POS
Frame	Fence_making_machine.dwg			1
DEVELOPED BY	REDESIGNED BY	DOC. TYPE	MATERIAL	QUANTITY
		Part	Steel A36	1
Developed by	OHO e.V.	LICENCE	SCALE	SHEET
		CC-BY-SA 4.0	1:4	5/17

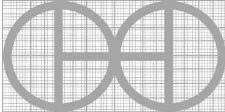


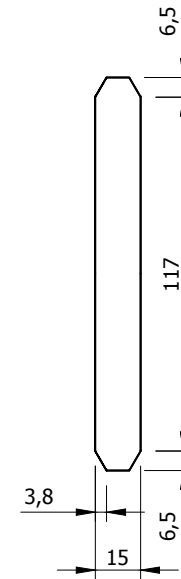
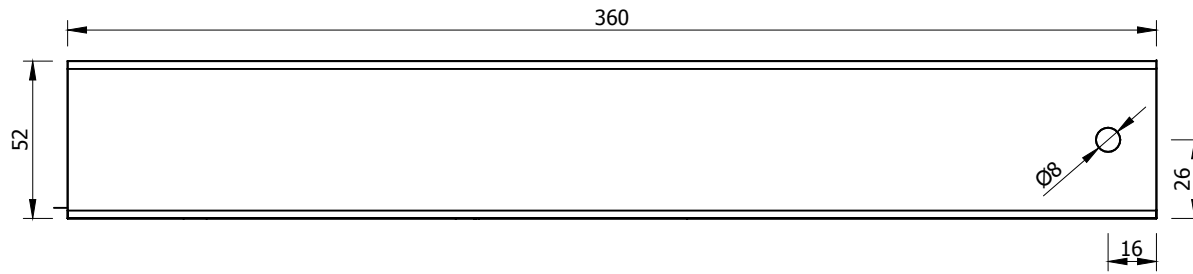
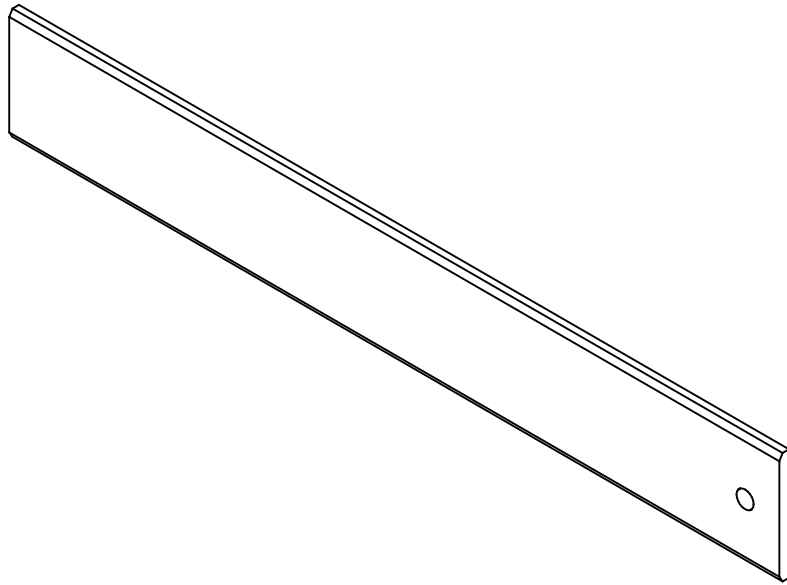
Note: All units in mm.

PROJECT	CREATED BY	APPROVED BY	DATE	VERSION
Fence Making Machine	E. Araujo	A. Morillo	23-06-2021	1.0
PART NAME	FILE NAME	POS		
Bearing	Fence_making_machine.dwg	2		
DEVELOPED BY	REDESIGNED BY	DOC. TYPE	MATERIAL	QUANTITY
Developed by	 OHO e.V.	Part	Steel A36	1
		LICENCE	SCALE	SHEET
		CC-BY-SA 4.0	1:4	6/17

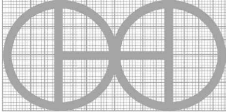


Note: All units in mm.

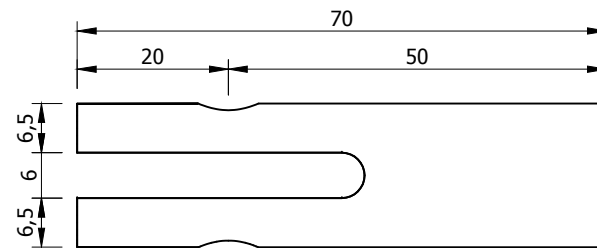
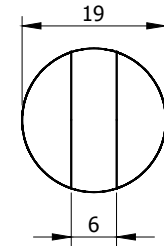
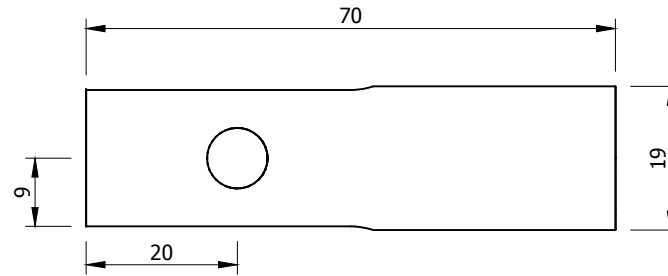
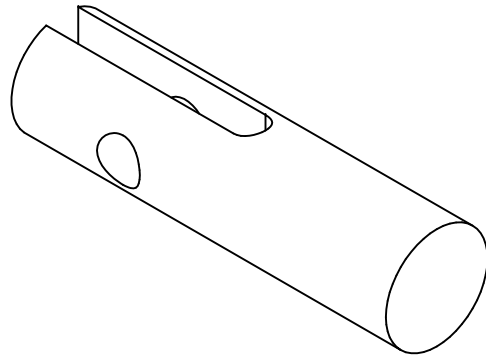
PROJECT	CREATED BY	APPROVED BY	DATE	VERSION
Fence Making Machine	E. Araujo	A. Morillo	23-06-2021	1.0
PART NAME	FILE NAME	POS		
Scroll	Fence_making_machine.dwg	3		
DEVELOPED BY	REDESIGNED BY	DOC. TYPE	MATERIAL	QUANTITY
Developed by	 OHO e.V.	Part	Steel A36	1
		LICENCE	SCALE	SHEET
		CC-BY-SA 4.0	1:4	7/17



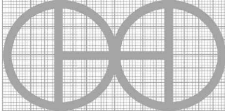
Note: All units in mm.

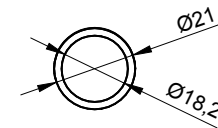
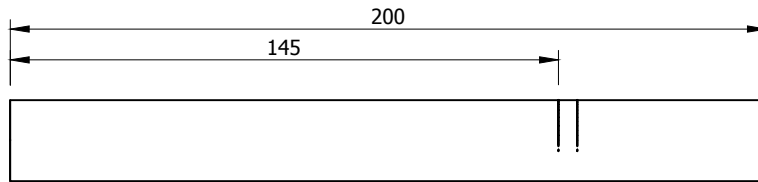
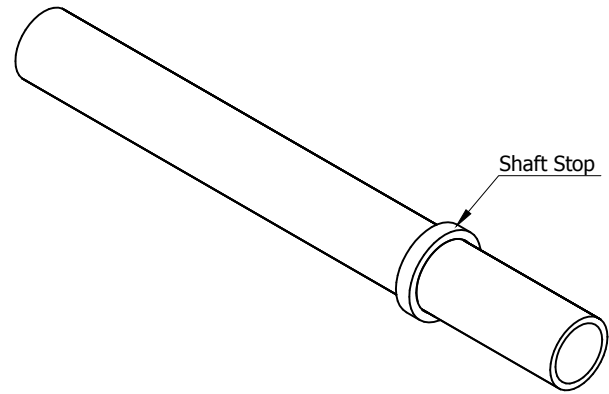
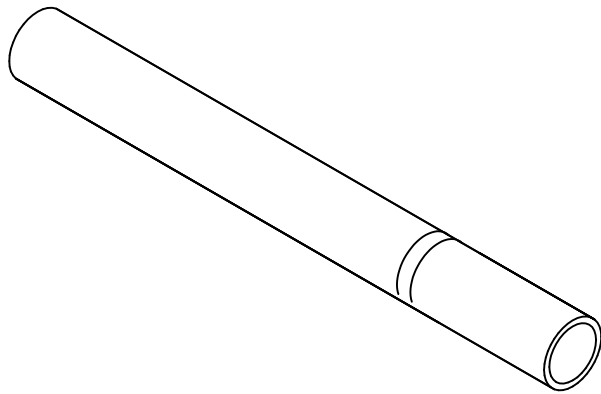
PROJECT	CREATED BY	APPROVED BY	DATE	VERSION
Fence Making Machine	E. Araujo	A. Morillo	23-06-2021	1.0
PART NAME	FILE NAME			POS
Blade	Fence_making_machine.dwg			4
DEVELOPED BY	REDESIGNED BY	DOC. TYPE	MATERIAL	QUANTITY
Developed by	 OHO e.V.	Part	Steel A36	1
		LICENCE	SCALE	SHEET
		CC-BY-SA 4.0	1:4	8/17





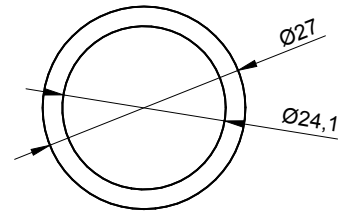
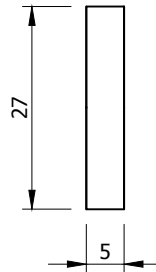
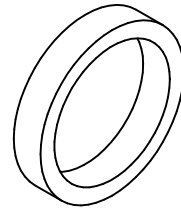
Note: All units in mm.

PROJECT	CREATED BY	APPROVED BY	DATE	VERSION
Fence Making Machine	E. Araujo	A. Morillo	23-06-2021	1.0
PART NAME	FILE NAME	POS		
Coupling	Fence_making_machine.dwg	5		
DEVELOPED BY	REDESIGNED BY	DOC. TYPE	MATERIAL	QUANTITY
Developed by	 OHO e.V.	Part	Steel A36	1
		LICENCE	SCALE	SHEET
		CC-BY-SA 4.0	1:4	9/17

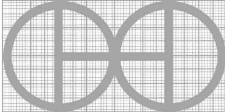


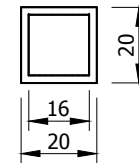
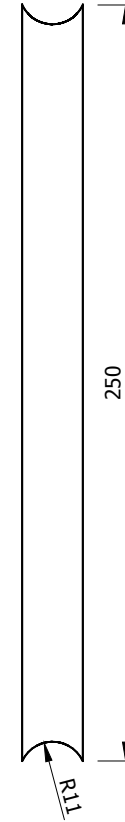
Note: All units in mm.

PROJECT	CREATED BY	APPROVED BY	DATE	VERSION
Fence Making Machine	E. Araujo	A. Morillo	23-06-2021	1.0
PART NAME	FILE NAME	POS		
Shaft	Fence_making_machine.dwg	6		
DEVELOPED BY	REDESIGNED BY	DOC. TYPE	MATERIAL	QUANTITY
Developed by	OHO e.V.	Part	Steel A36	1
		LICENCE	SCALE	SHEET
		CC-BY-SA 4.0	1:4	10/17

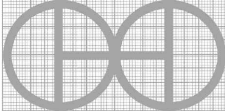


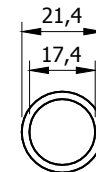
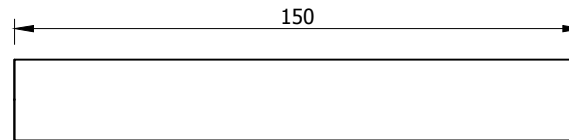
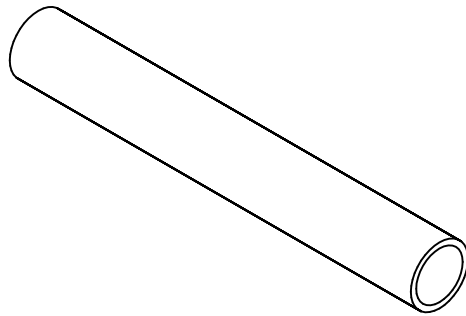
Note: All units in mm.

PROJECT	CREATED BY	APPROVED BY	DATE	VERSION
Fence Making Machine	E. Araujo	A. Morillo	23-06-2021	1.0
PART NAME	FILE NAME	POS		
Shaft Stop	Fence_making_machine.dwg	7		
DEVELOPED BY	REDESIGNED BY	DOC. TYPE	MATERIAL	QUANTITY
Developed by	 OHO e.V.	Part	Steel A36	1
		LICENCE	SCALE	SHEET
		CC-BY-SA 4.0	1:4	11/17

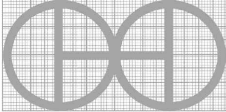


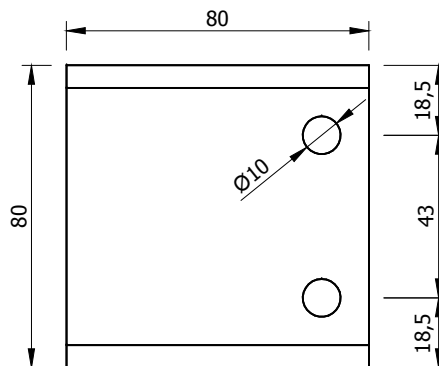
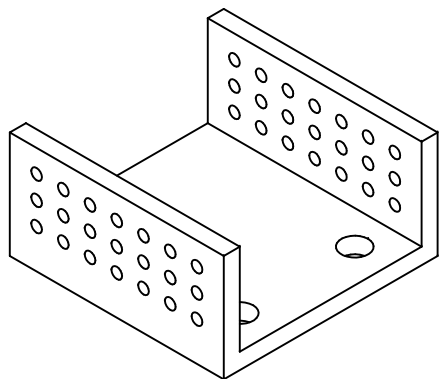
Note: All units in mm.

PROJECT	CREATED BY	APPROVED BY	DATE	VERSION
Fence Making Machine	E. Araujo	A. Morillo	23-06-2021	1.0
PART NAME	FILE NAME			POS
Arm	Fence_making_machine.dwg			8
DEVELOPED BY	REDESIGNED BY	DOC. TYPE	MATERIAL	QUANTITY
Developed by	 OHO e.V.	Part	Steel A36	1
		LICENCE	SCALE	SHEET
		CC-BY-SA 4.0	1:4	12/17

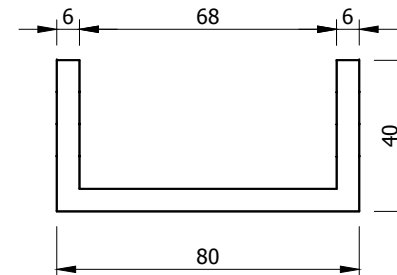
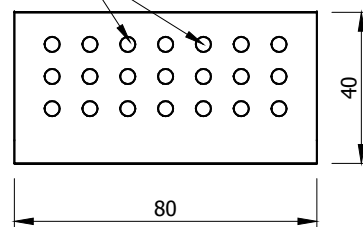


Note: All units in mm.

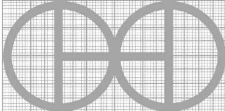
PROJECT	CREATED BY	APPROVED BY	DATE	VERSION
Fence Making Machine	E. Araujo	A. Morillo	23-06-2021	1.0
PART NAME	FILE NAME			POS
Shaft Stop	Fence_making_machine.dwg			9
DEVELOPED BY	REDESIGNED BY	DOC. TYPE	MATERIAL	QUANTITY
Developed by	 OHO e.V.	Part	Steel A36	1
		LICENCE	SCALE	SHEET
		CC-BY-SA 4.0	1:4	13/17

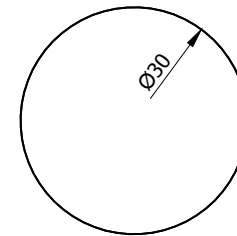
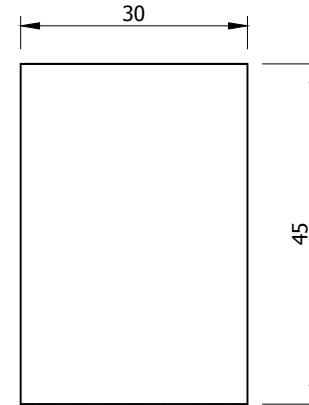
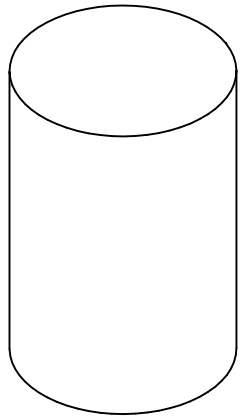


21 x 4mm HOLES  
DRILLED IN BOTH  
SIDE FLANGES  
OF 80 x 40 CHANNEL

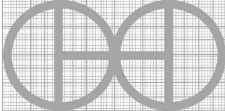


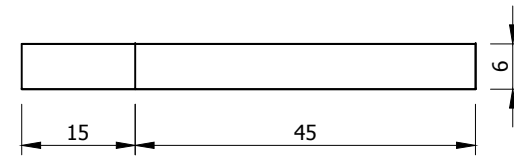
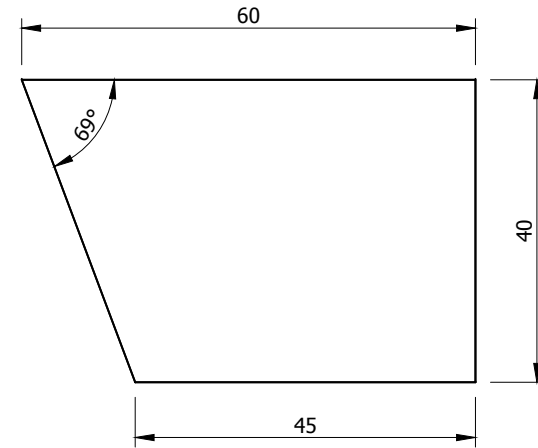
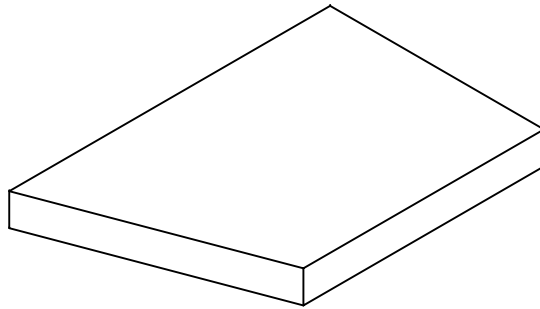
Note: All units in mm.

PROJECT	CREATED BY	APPROVED BY	DATE	VERSION
Fence Making Machine	E. Araujo	A. Morillo	23-06-2021	1.0
PART NAME	FILE NAME			POS
Wire Feeder	Fence_making_machine.dwg			12
DEVELOPED BY	REDESIGNED BY	DOC. TYPE	MATERIAL	QUANTITY
		Part	Steel A36	1
Developed by	OHO e.V.	LICENCE	SCALE	SHEET
		CC-BY-SA 4.0	1:4	14/17

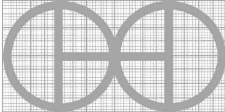


Note: All units in mm.

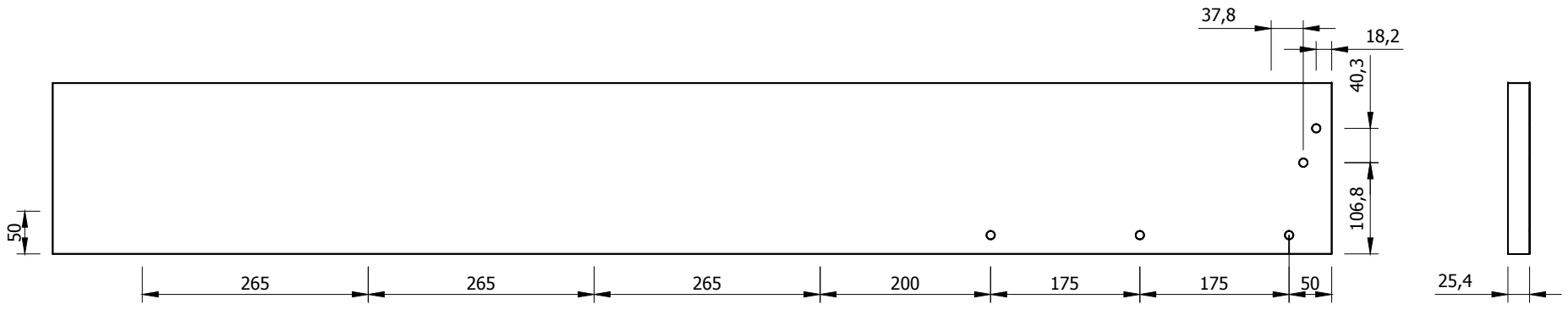
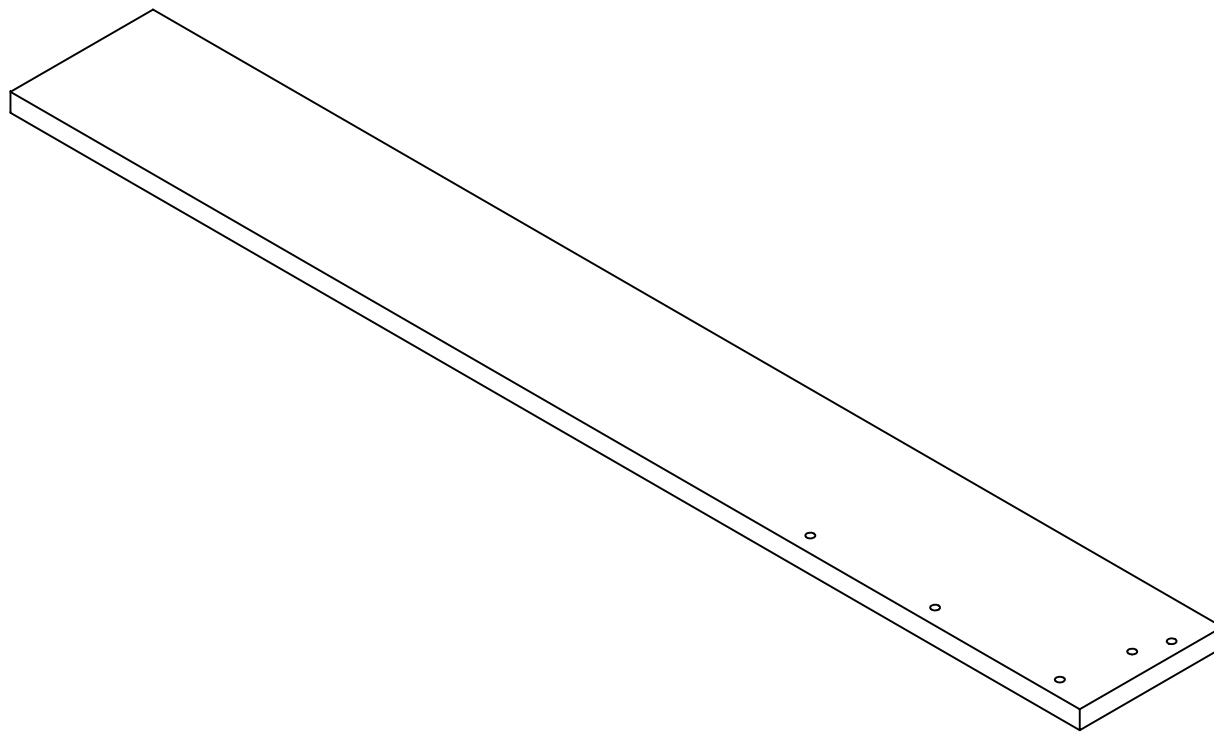
PROJECT	CREATED BY	APPROVED BY	DATE	VERSION
Fence Making Machine	E. Araujo	A. Morillo	23-06-2021	1.0
PART NAME	FILE NAME	POS		
Solid Bar	Fence_making_machine.dwg	13		
DEVELOPED BY	REDESIGNED BY	DOC. TYPE	MATERIAL	QUANTITY
Developed by	 OHO e.V.	Part	Steel A36	1
		LICENCE	SCALE	SHEET
		CC-BY-SA 4.0	1:4	15/17



Note: All units in mm.

PROJECT	CREATED BY	APPROVED BY	DATE	VERSION
Fence Making Machine	E. Araujo	A. Morillo	23-06-2021	1.0
PART NAME	FILE NAME	POS		
Flat Bar	Fence_making_machine.dwg	14		
DEVELOPED BY	REDESIGNED BY	DOC. TYPE	MATERIAL	QUANTITY
Developed by	 OHO e.V.	Part	Steel A36	1
		LICENCE	SCALE	SHEET
		CC-BY-SA 4.0	1:4	16/17





Note: All units in mm.

PROJECT	CREATED BY	APPROVED BY	DATE	VERSION
Fence Making Machine	E. Araujo	A. Morillo	23-06-2021	1.0
PART NAME	FILE NAME			POS
Wooden Sheet For Support	Fence_making_machine.dwg			17
DEVELOPED BY	REDESIGNED BY	DOC. TYPE	MATERIAL	QUANTITY
Developed by	OHO e.V.	Part	Steel A36	1
		LICENCE	SCALE	SHEET
		CC-BY-SA 4.0	1:4	17/17