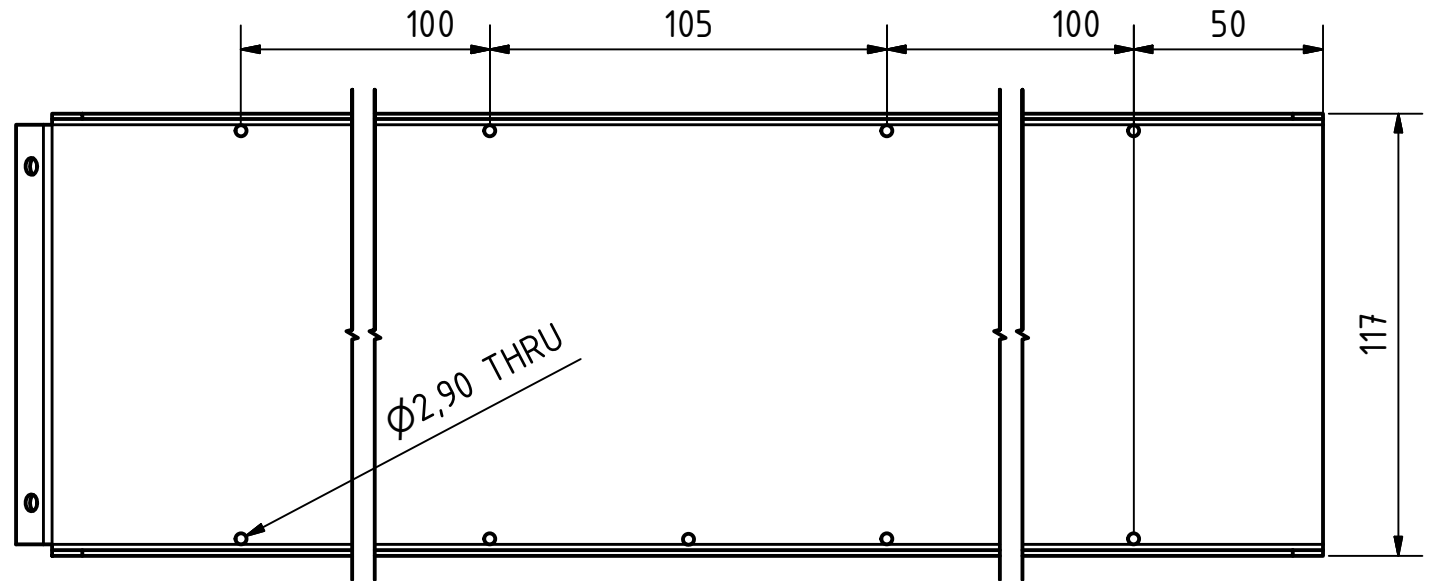
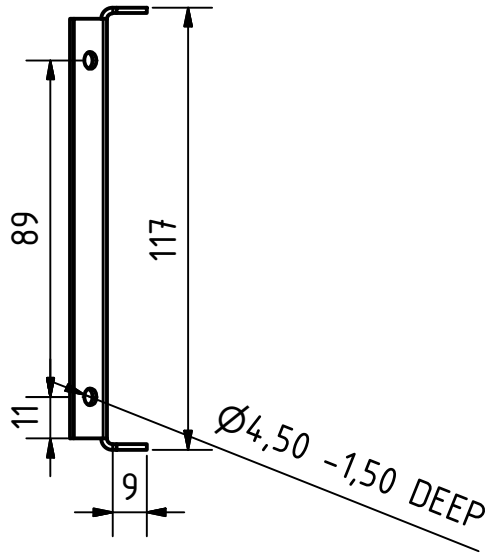
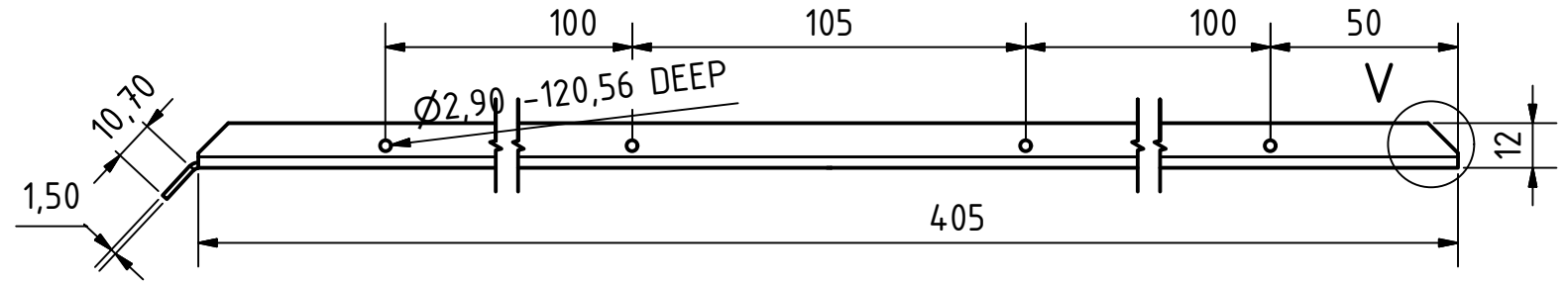
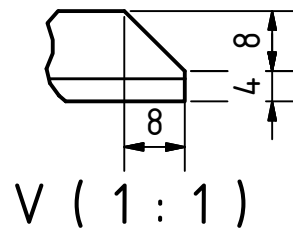


SCALE ( 1 : 5 )



SCALE ( 1 : 2 )

Note: All units in mm.



PROJECT Peeling Machine for Sunflower Seeds	CREATED BY L. Ruda	APPROVED BY A. Morillo	DATE 16/09/2021	VERSION 1.0
PART NAME Chute PB	FILE NAME Part5.ipt			POS 2.5.3
DEVELOPED BY	REDESIGNED BY	DOC. TYPE Part	MATERIAL Aluminium Alloy	QUANTITY 1
Tropical Products Institute OHO e.V.		LICENCE CC-BY-SA 4.0	SCALE 1:2	SHEET 35 /71