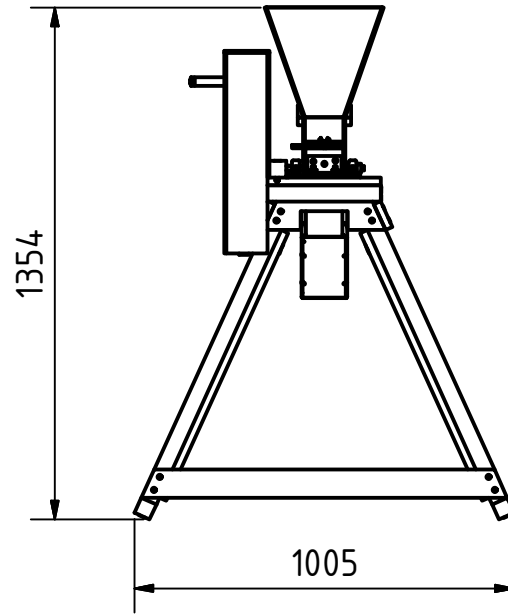
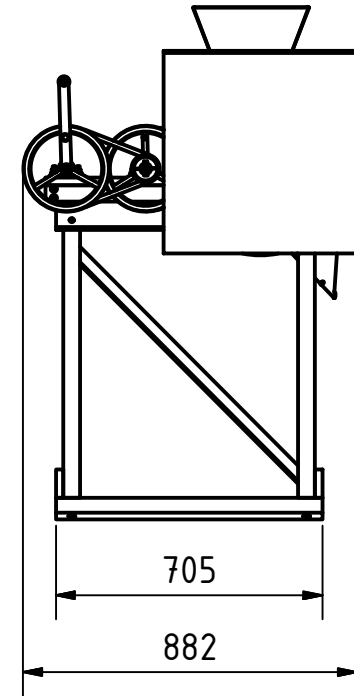


SCALE ( 1 : 15 )

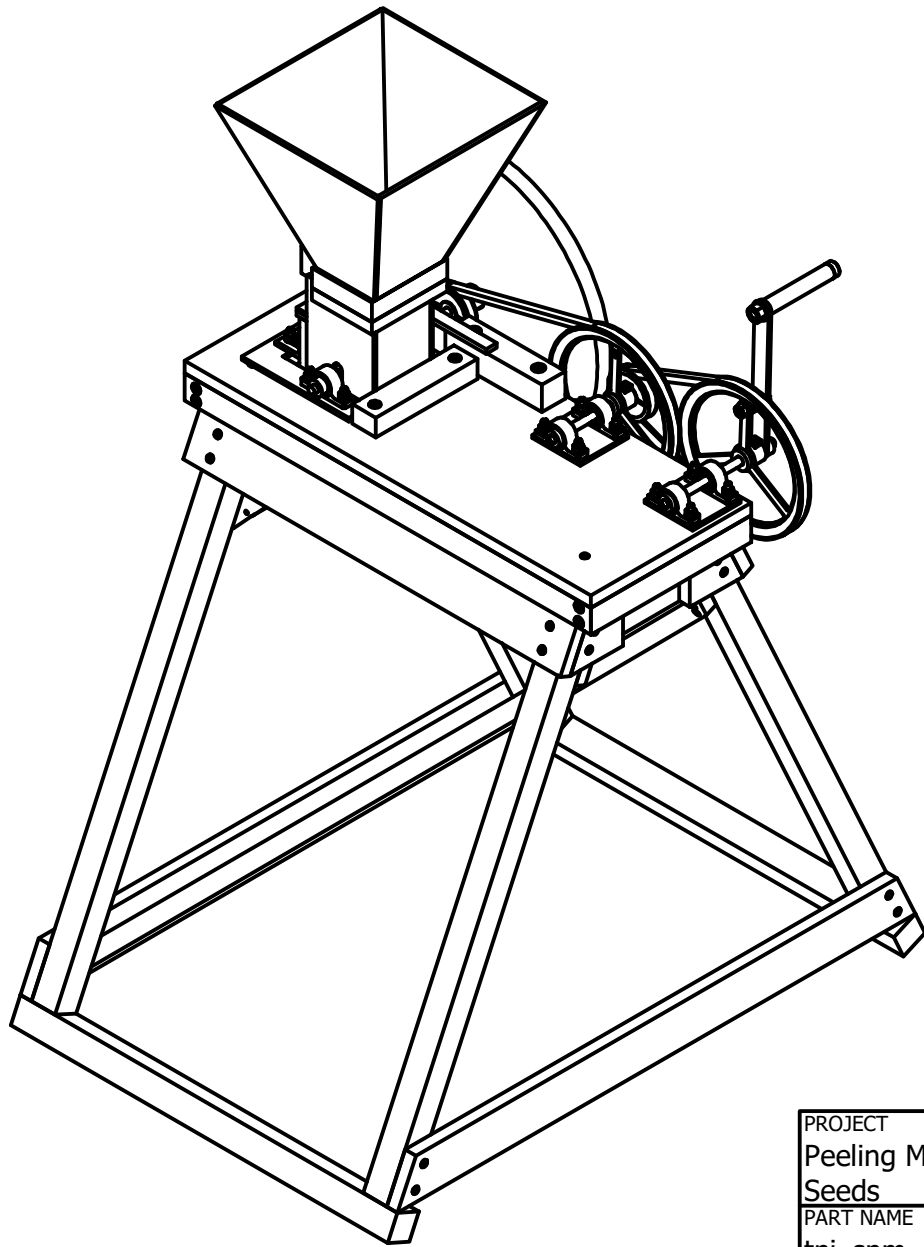


SCALE ( 1 : 20 )

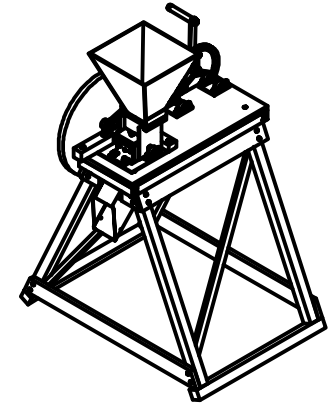


Note: All units in mm.

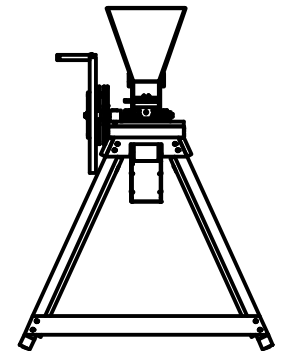
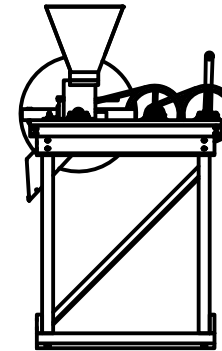
PROJECT Peeling Machine for Sunflower Seeds		CREATED BY L. Ruda	APPROVED BY A. Morillo	DATE 16/09/2021	VERSION 1.0
PART NAME 3d views		FILE NAME tpi_spm_sunflower-seeds-peeling-machine.iam			POS A1
DEVELOPED BY Tropical Products Institute	REDESIGNED BY OHO e.V.	DOC. TYPE Assembly	MATERIAL	LICENCE CC-BY-SA 4.0	QUANTITY 1
		SCALE 1:20		SHEET 1 / 71	



SCALE ( 1 : 10 )



SCALE ( 1 : 30 )



SCALE ( 1 : 30 )

Note: All units in mm.

PROJECT Peeling Machine for Sunflower Seeds	CREATED BY L. Ruda	APPROVED BY A. Morillo	DATE 16/09/2021	VERSION 1.0
PART NAME tpi_spm__sunflower-seeds-peeling-machine 2	FILE NAME tpi_spm__sunflower-seeds-peeling-machine 2.iam			POS A1
DEVELOPED BY	REDESIGNED BY	DOC. TYPE Assembly	MATERIAL	QUANTITY 1
Tropical Products Institute	OHO e.V.	LICENCE CC-BY-SA 4.0	SCALE 1:10	SHEET 2 /71

