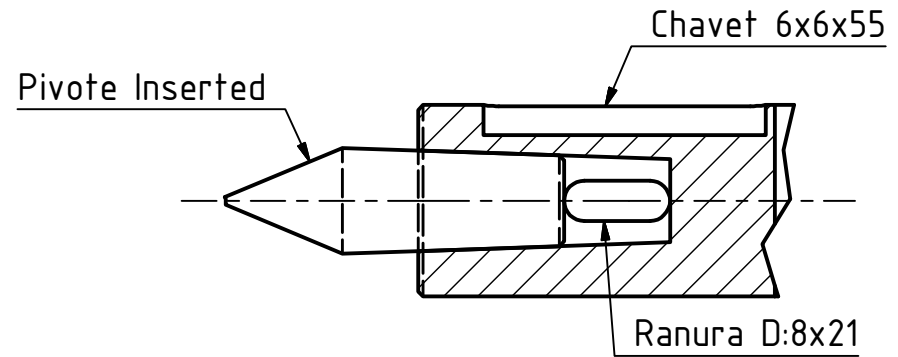
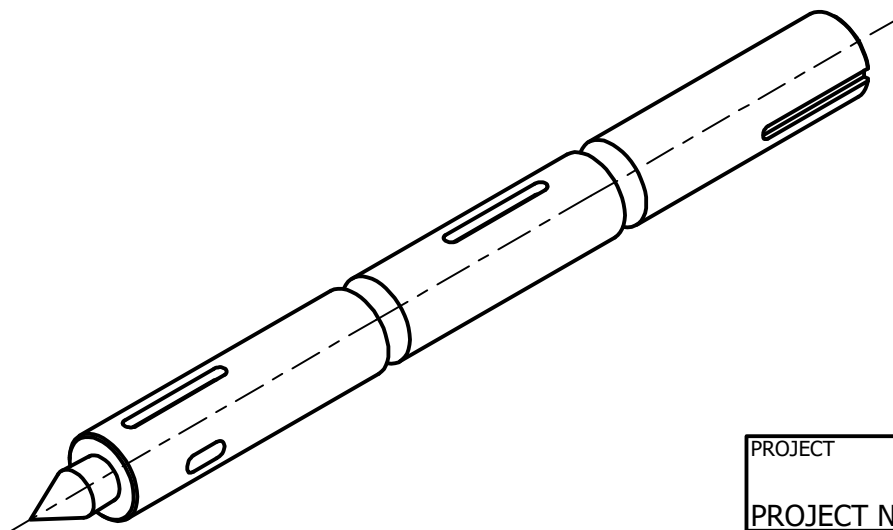


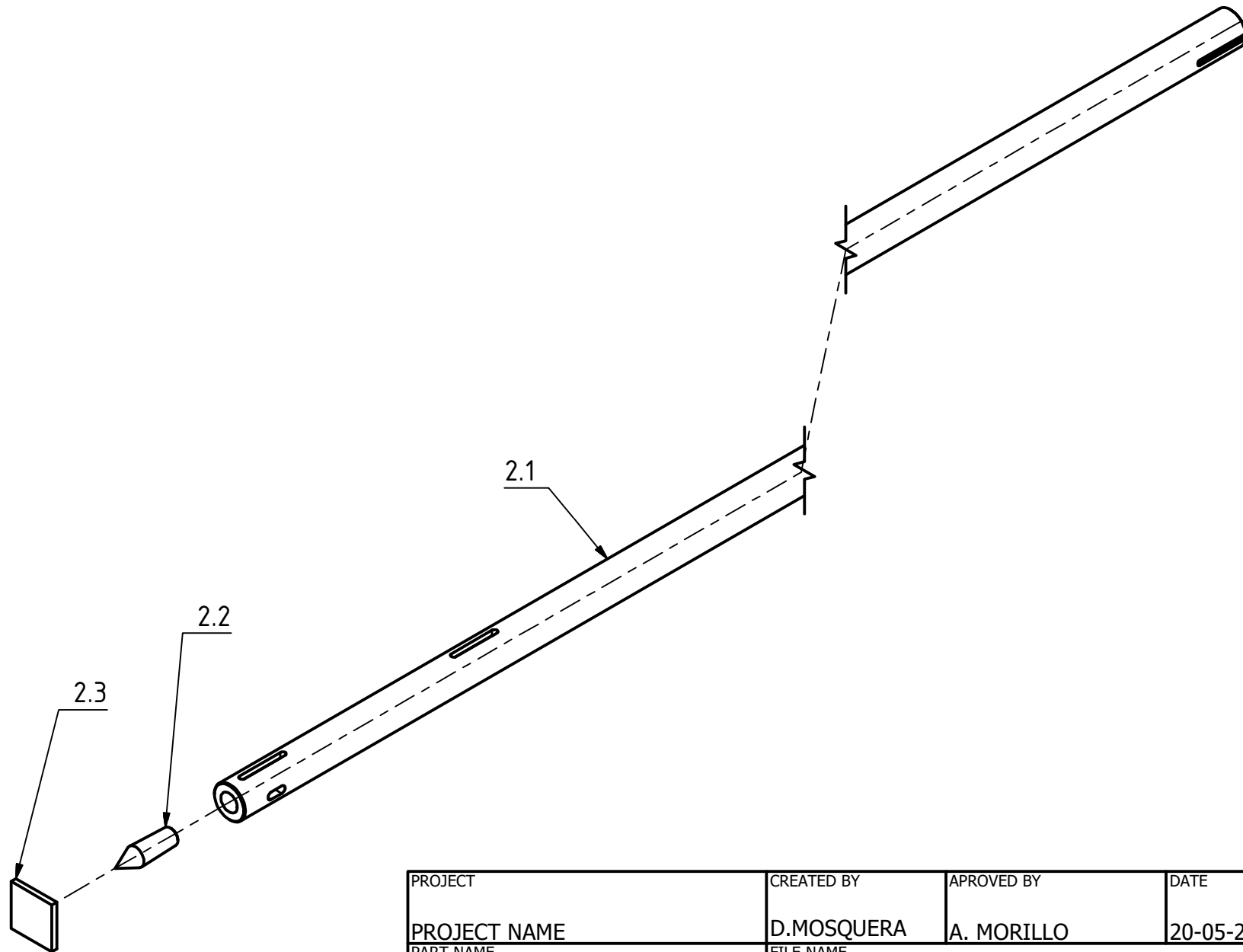




Det. B



PROJECT		CREATED BY	APPROVED BY	DATE	VERSION
PROJECT NAME		D.MOSQUERA	A. MORILLO	20-05-21	1.0
PART NAME		FILE NAME			PART CODE
Axle pivote		oseg_hww_Axle-pivote.iam			2.0
DEVELOPED BY	REDESIGNED BY	SUPPORTED BY	DOC. TYPE	MATERIAL	QUANTITY
			ASSEMBLY		1
	OPEN SOURCE ECOLOGY GERMANY		LICENCE	SCALE	SHEET
UNICEF	OSEG	E.ON STIFTUNG	CC-BY-SA 4.0	1:2	14 /38



PROJECT		CREATED BY	APPROVED BY	DATE	VERSION
PROJECT NAME		D.MOSQUERA	A. MORILLO	20-05-21	1.0
PART NAME		FILE NAME			PART CODE
Axle-pivote		oseg_hww_Axle-pivote.ipn			2.0
DEVELOPED BY	REDESIGNED BY	SUPPORTED BY	DOC. TYPE	MATERIAL	QUANTITY
			ASSEMBLY		1
	OPEN SOURCE ECOLOGY GERMANY		LICENCE	SCALE	SHEET
UNICEF	OSEG	E.ON STIFTUNG	CC-BY-SA 4.0	1:5	15 /38