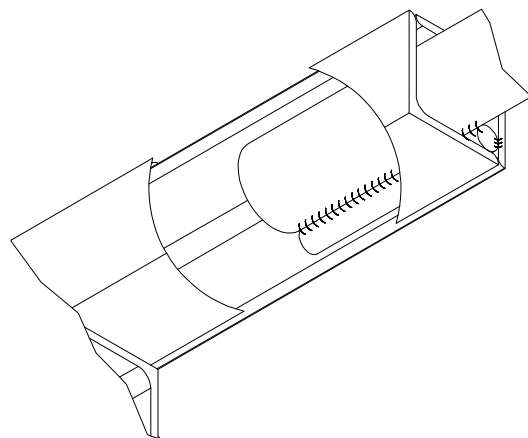
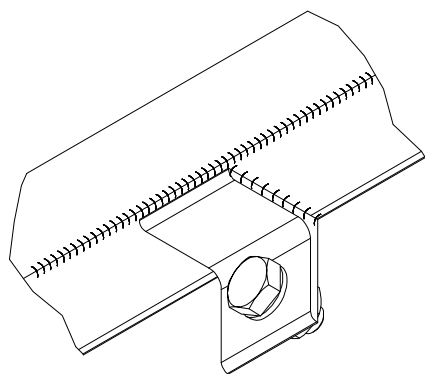
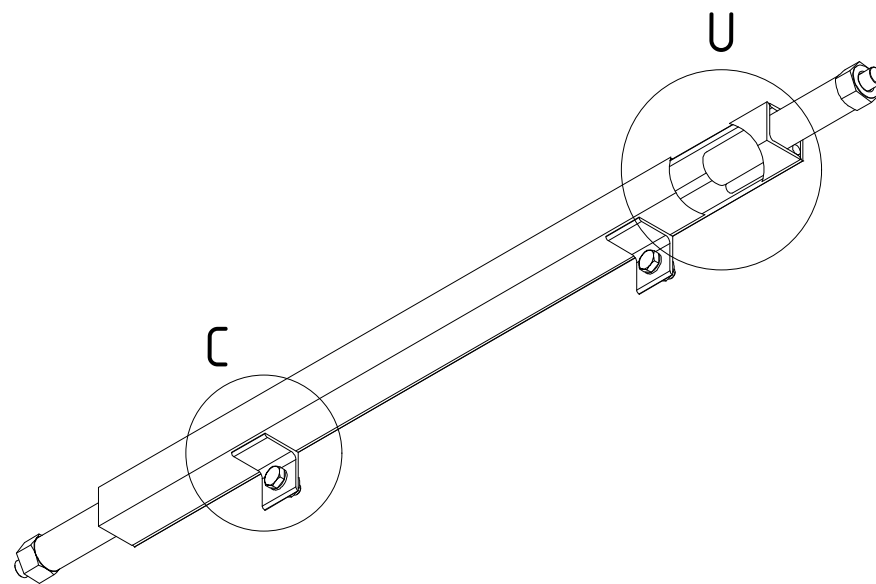


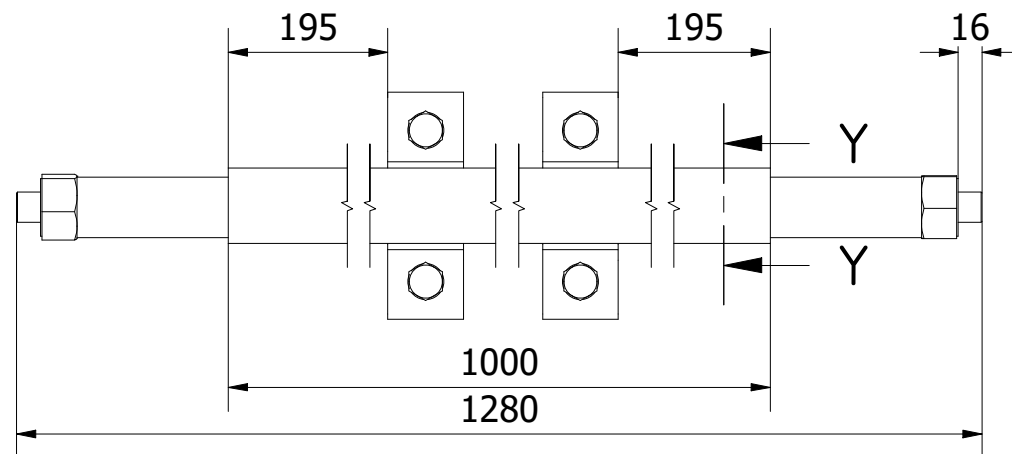
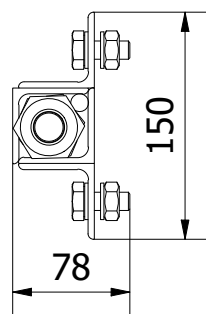
Y-Y (1 : 2)



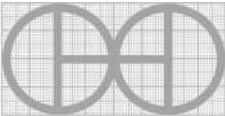
U (1 : 3)

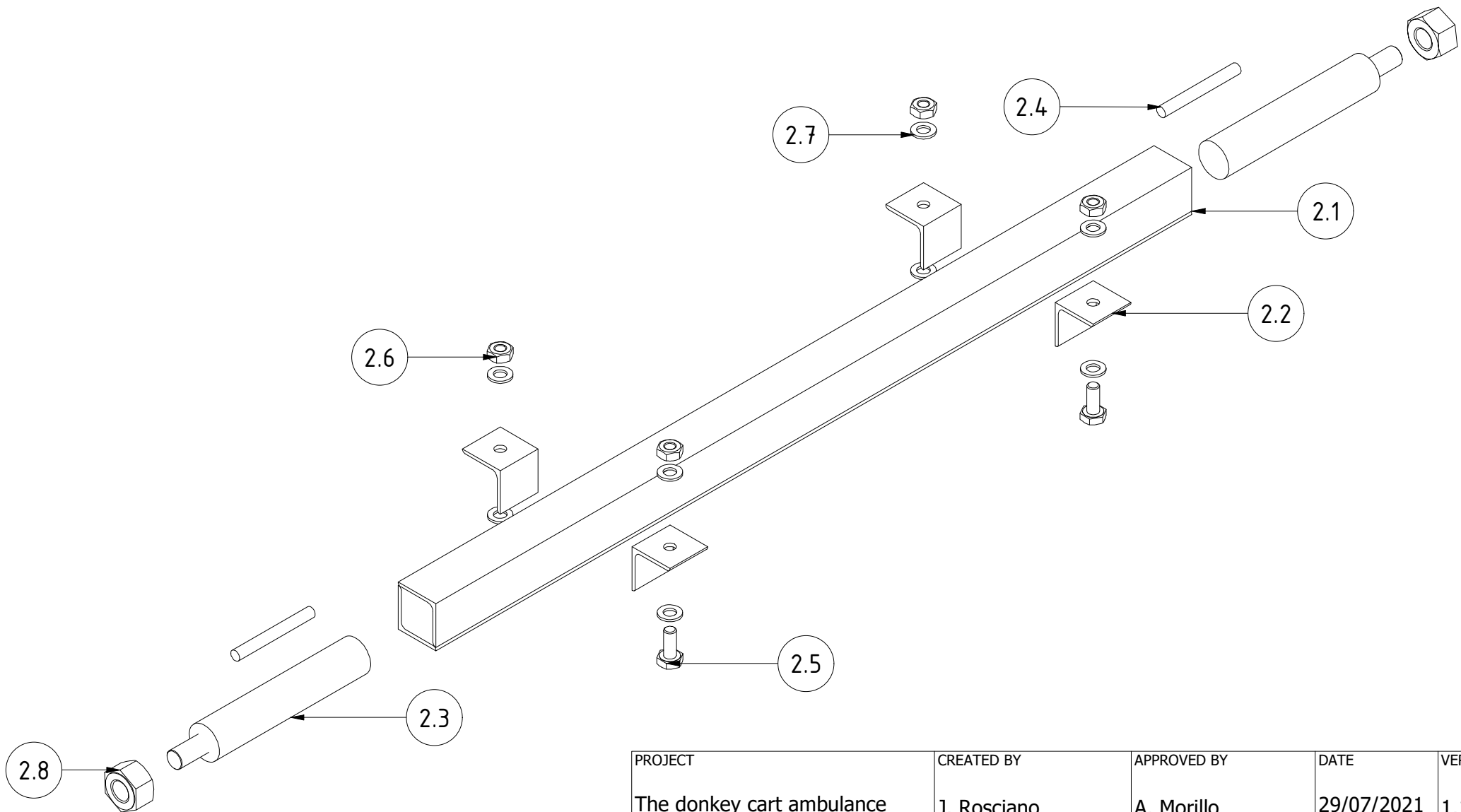


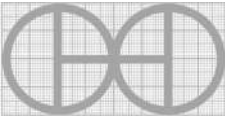
C (1 : 3)



Note: All units in mm.

PROJECT	CREATED BY	APPROVED BY	DATE	VERSION
The donkey cart ambulance	J. Rosciano	A. Morillo	29/07/2021	1.1
PART NAME	FILE NAME			POS
Axle assembly	2.0_Axle assembly.iam			2.0
DEVELOPED BY	REDESIGNED BY	DOC. TYPE	MATERIAL	QUANTITY
		Assembly		1
Practical Action	OHO e.V.	LICENCE	SCALE	SHEET
		CC-BY-SA 4.0	1/8	13 /37



PROJECT	CREATED BY	APPROVED BY	DATE	VERSION
The donkey cart ambulance	J. Rosciano	A. Morillo	29/07/2021	1.1
PART NAME	FILE NAME			POS
Axle assembly	2.0_Axle assembly.ipn			2.0
DEVELOPED BY	REDESIGNED BY	DOC. TYPE	MATERIAL	QUANTITY
		Assembly		1
Practical Action	OHO e.V.	LICENCE	SCALE	SHEET
		CC-BY-SA 4.0	1/6	14 /37