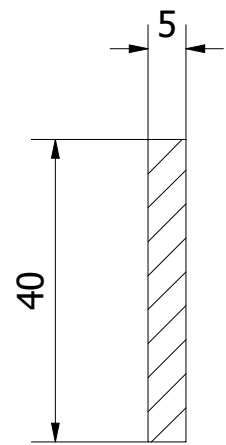
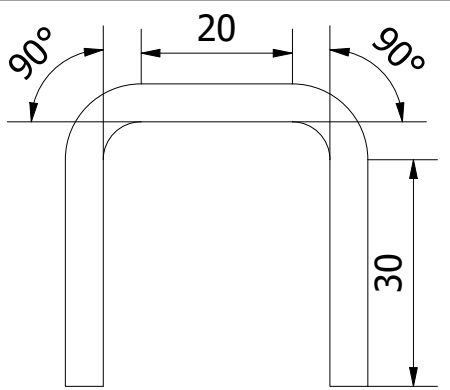
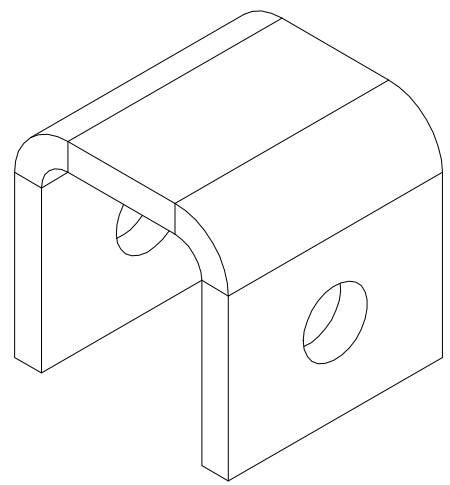
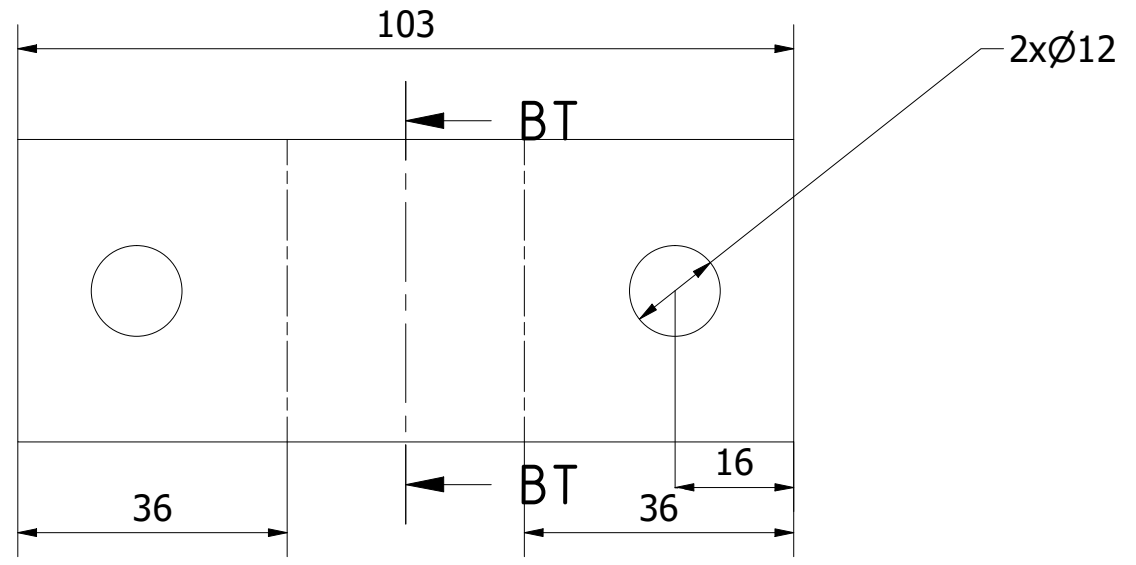


Note: This part is bended.



BT-BT (1 : 1)



Note: All units in mm.

PROJECT Convertible Bicycle Trailer for People - with shock absorber		CREATED BY J. Rosciano	APPROVED BY A. Morillo	DATE 26/07/2021	VERSION 1.1
PART NAME U-bracket		FILE NAME U-bracket.ipt			POS 5.1
DEVELOPED BY Practical Action	REDESIGNED BY OHO e.V.	DOC. TYPE Part	MATERIAL ASTM A36	QUANTITY 1	
		LICENCE CC-BY-SA 4.0	SCALE 1/1	SHEET 34 /51	