
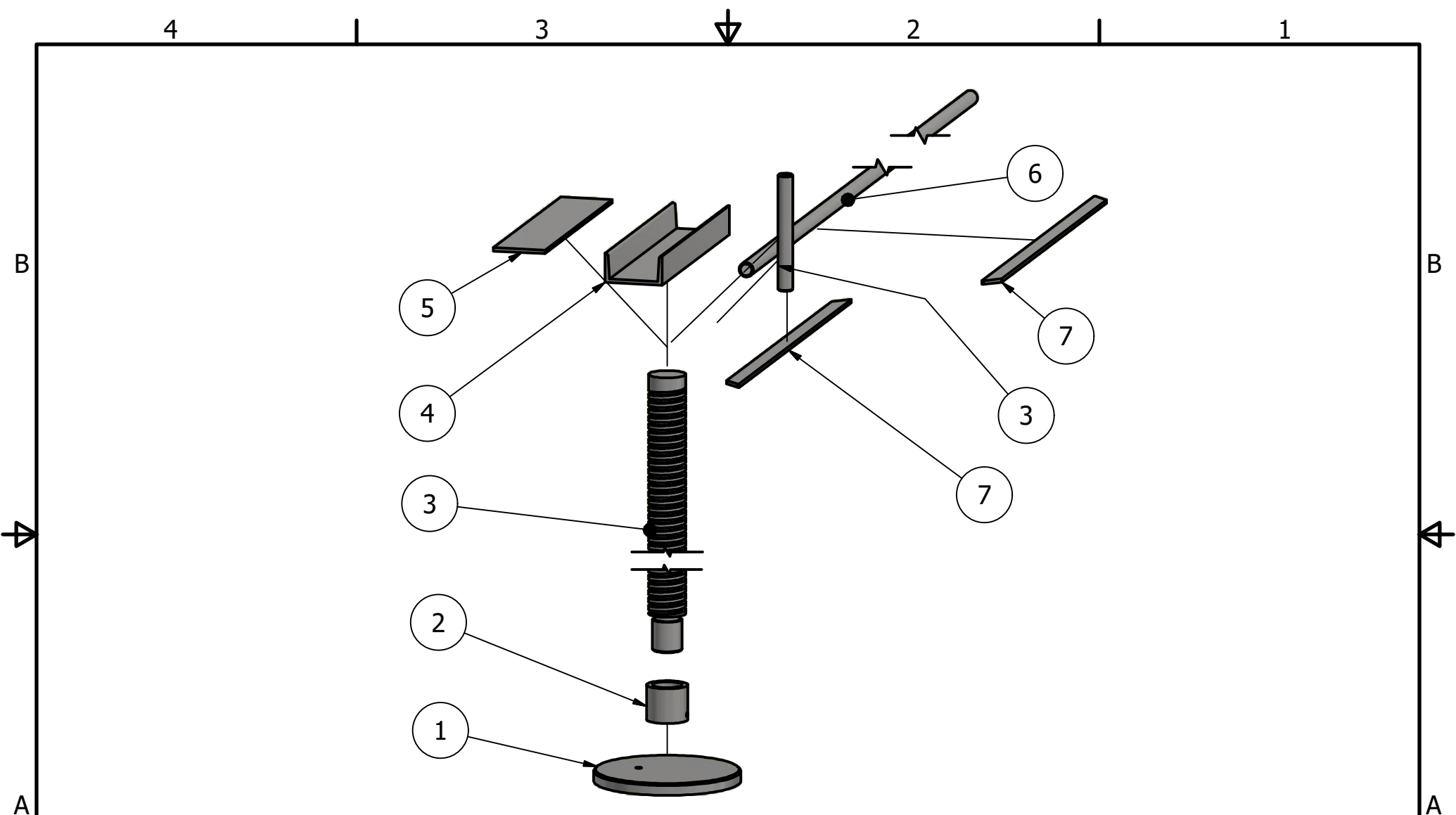

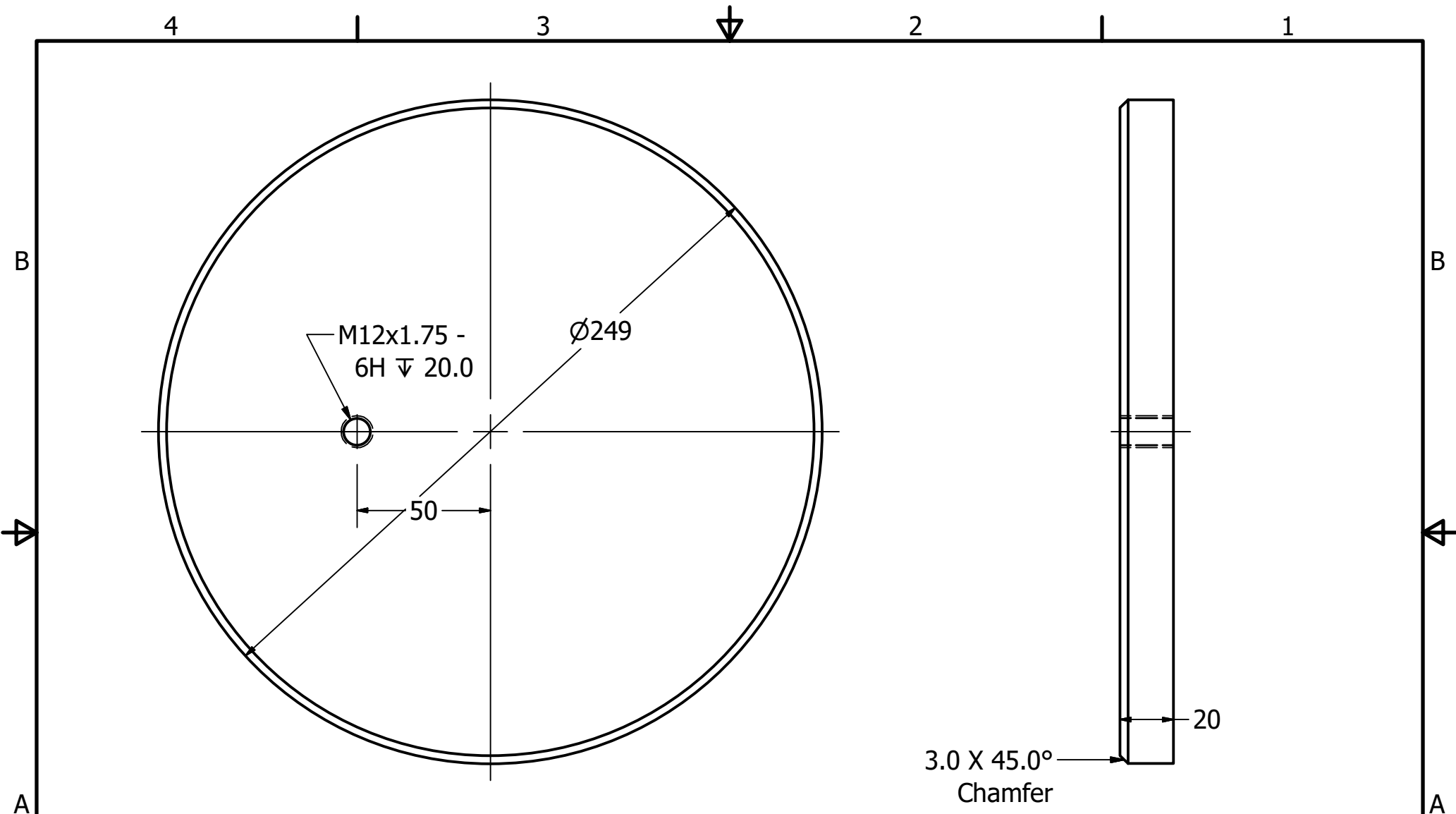



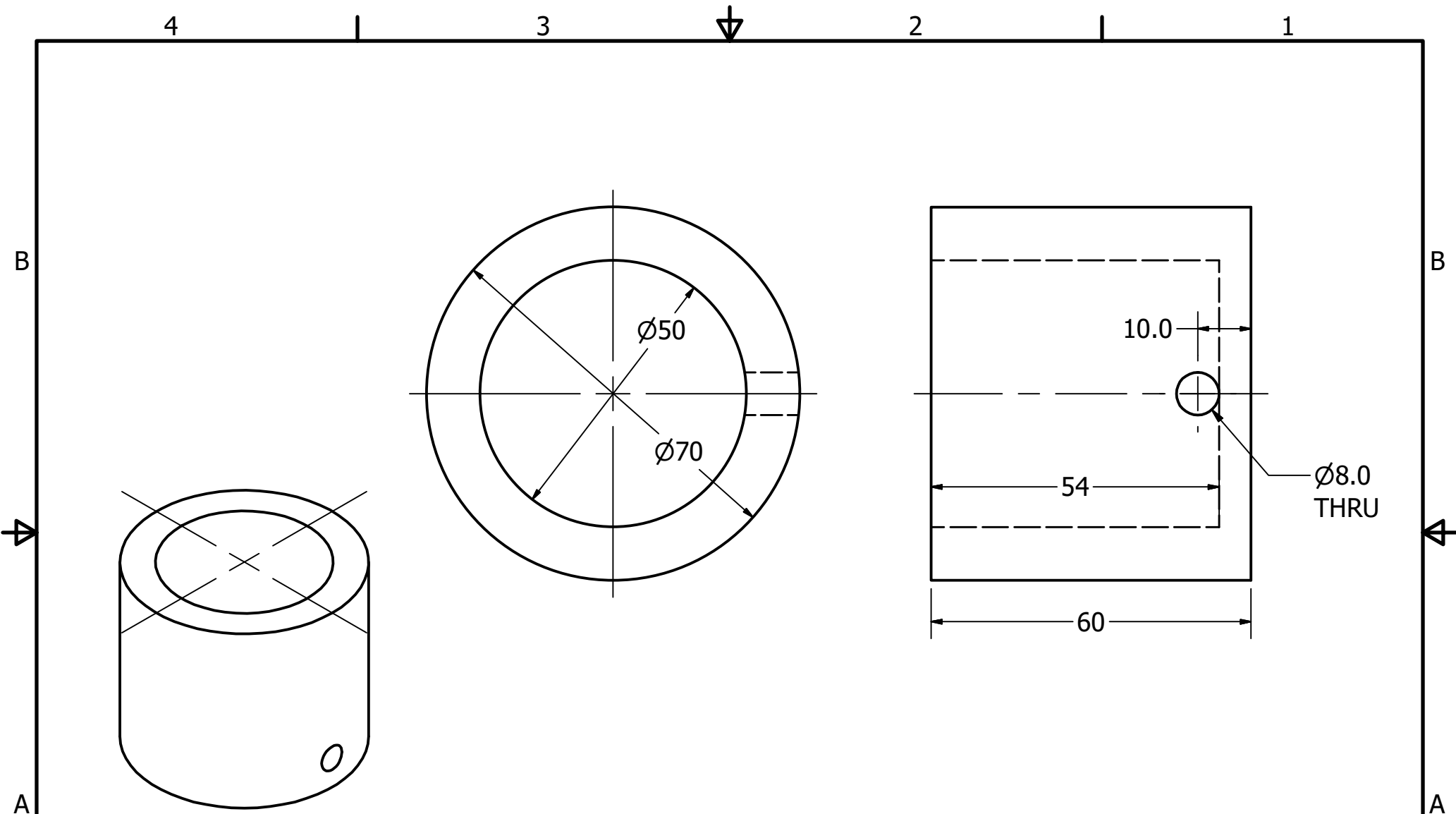
Project SCREW PRESS		Created by D. Mosquera		Approved by D. Jaeger	
Part Name Pressing assembly		Part Code 4.0		Document Type PRODUCTION	
 <p>Open Source Ecology e.V Knobelsdorffstr. 22 14059 Berlin www.ose-germany.de +49 (0) 30 / 92282426</p>		License CERN - OHL		File Name oseg_sp_4_pressing-assembly.iam	
				Scale 1:10	
				Quantity 1.0	
				Sheet 21/30	
				Date 14.10.20	




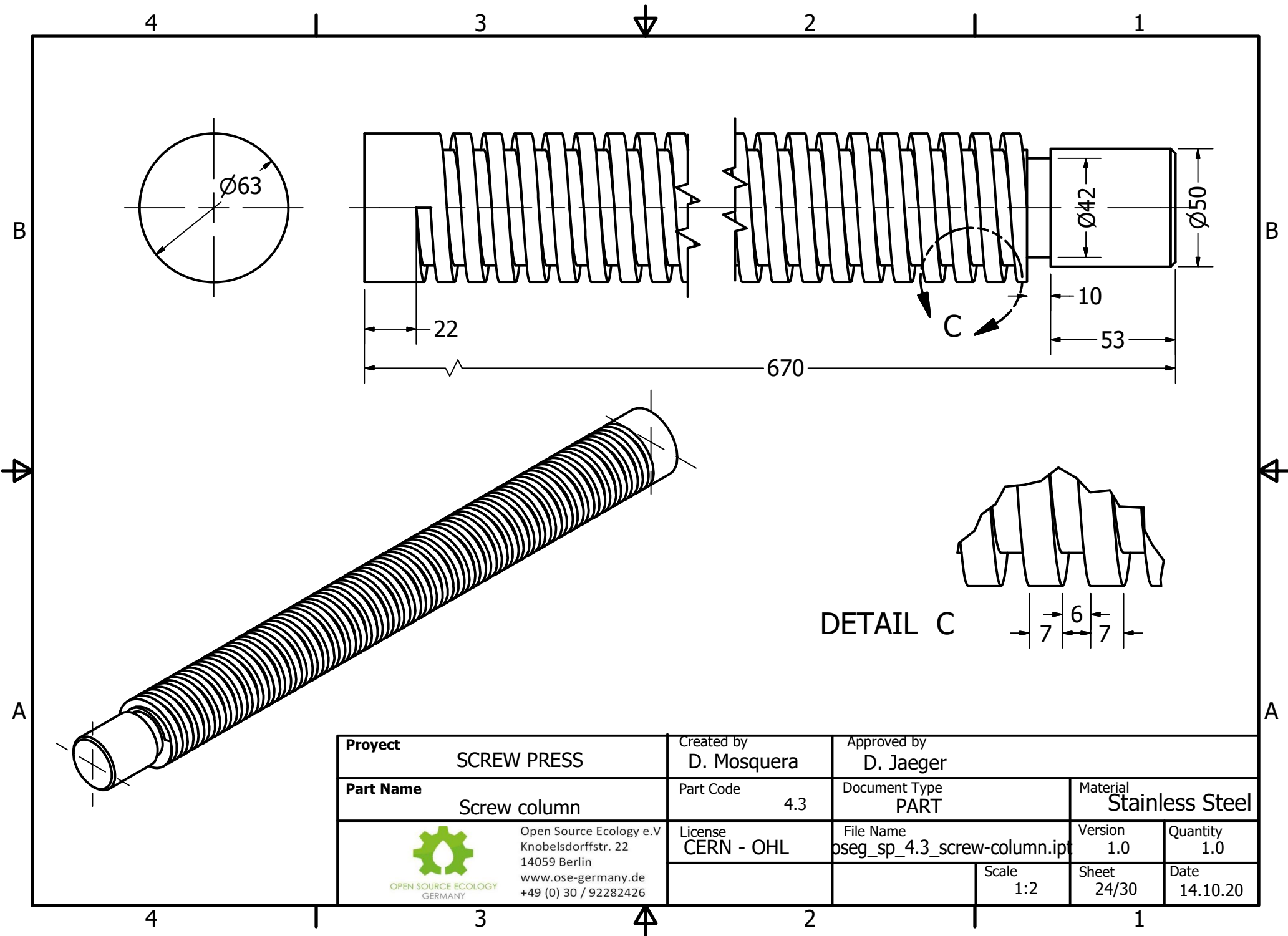
Project SCREW PRESS		Created by D. Mosquera		Approved by D. Jaeger	
Part Name Pressing assembly		Part Code 4.0		Document Type PRODUCTION	
 <p>Open Source Ecology e.V Knobelsdorffstr. 22 14059 Berlin www.ose-germany.de +49 (0) 30 / 92282426</p>	License CERN - OHL		File Name oseg_sp_4_pressing-assembly.iam		Version 1.0
			Scale 1:10		Sheet 21/30
				Date 14.10.20	




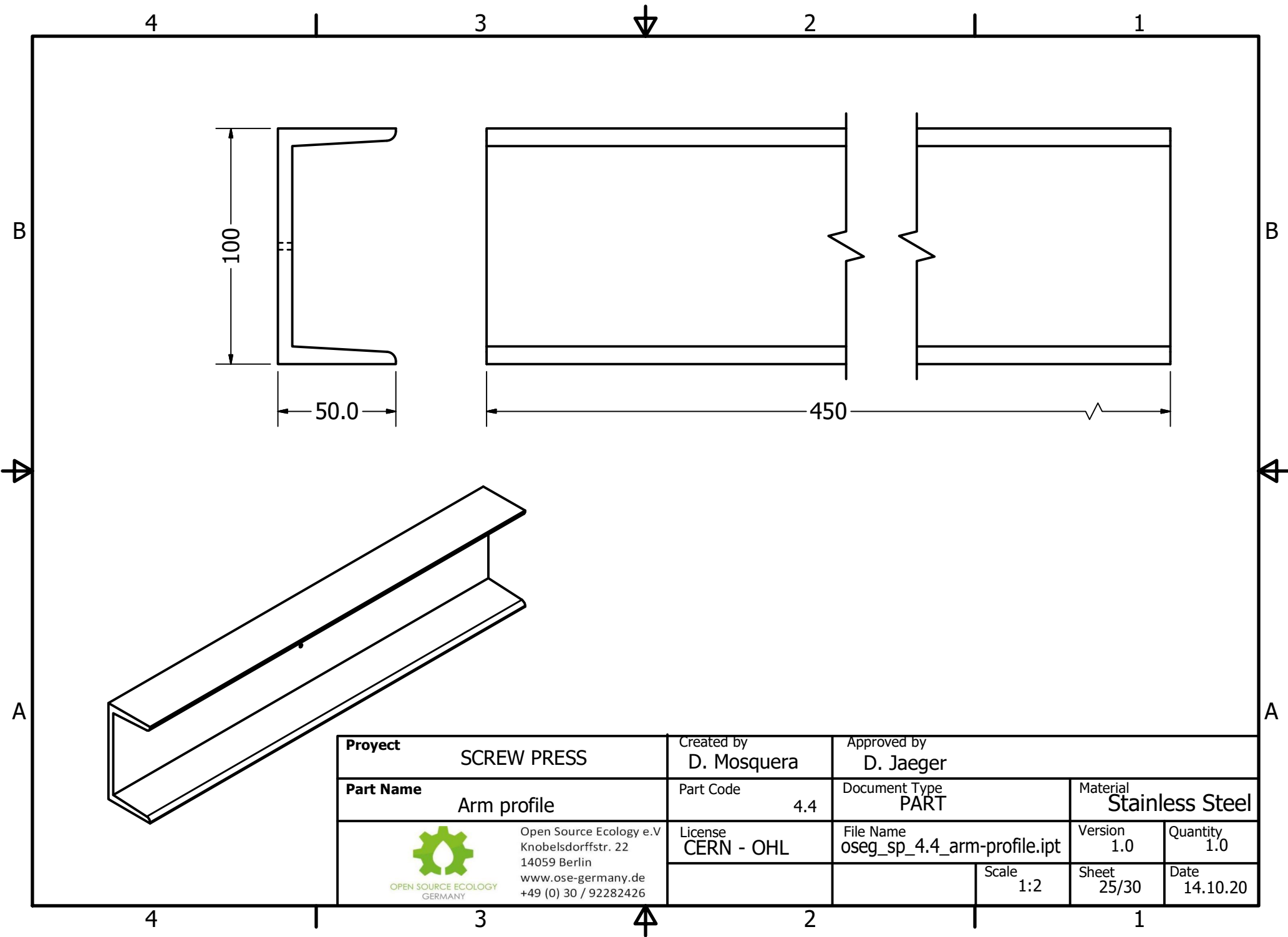
Project	SCREW PRESS	Created by	D. Mosquera			Approved by	D. Jaeger				
Part Name	Press disc	Part Code	4.1		Document Type	PART		Material	Stainless Steel		
 Open Source Ecology e.V. Knobelsdorffstr. 22 14059 Berlin www.ose-germany.de +49 (0) 30 / 92282426	License	CERN - OHL			File Name	oseg_sp_4.1_press-disc.ipt		Version	1.0	Quantity	1.0
					Scale	1:2		Sheet	22/30	Date	14.10.20




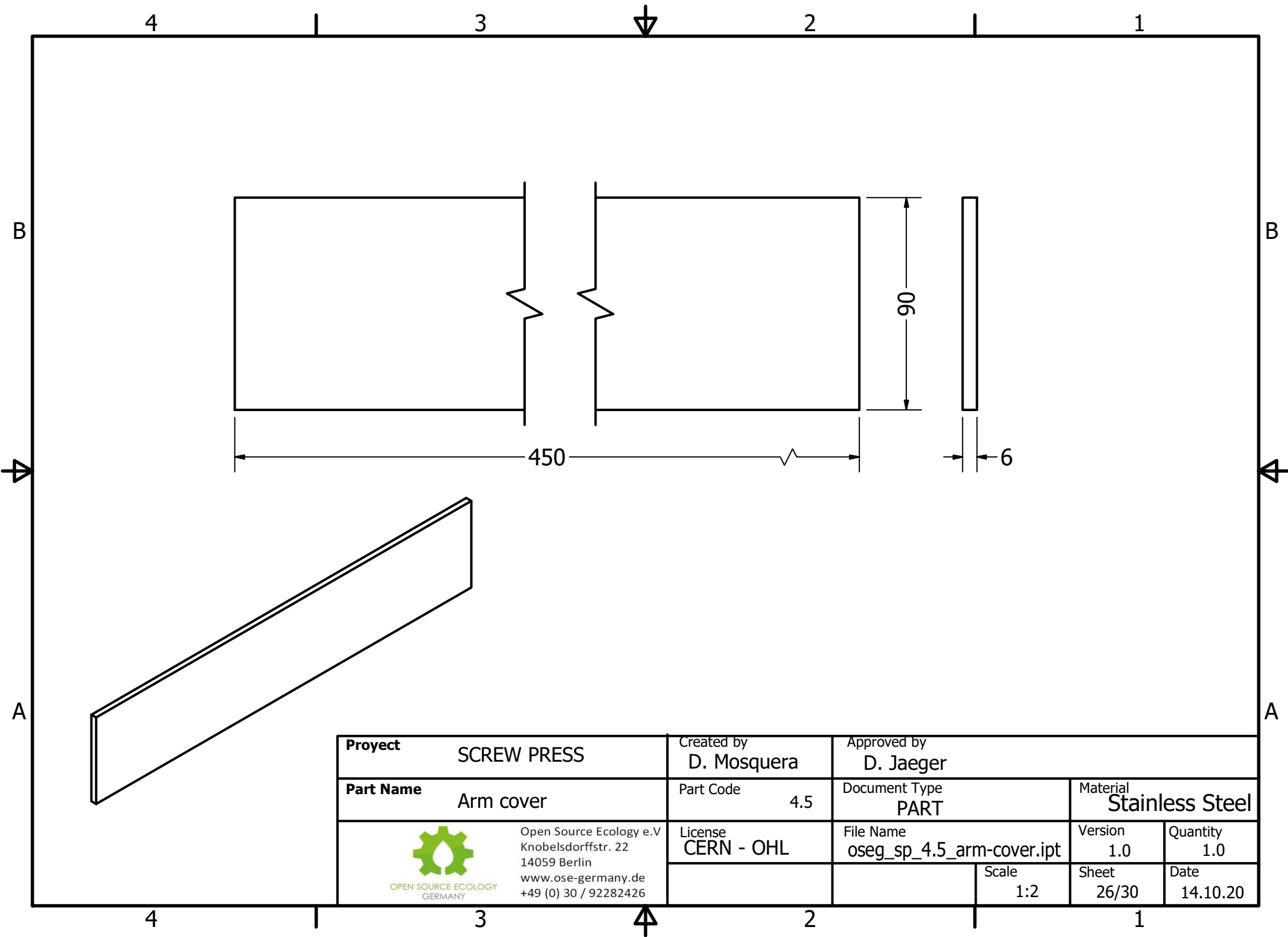
Project	SCREW PRESS	Created by	D. Mosquera			Approved by	D. Jaeger		
Part Name	Disk core	Part Code	4.2	Document Type	PART		Material	Stainless Steel	
 Open Source Ecology e.V. Knobelsdorffstr. 22 14059 Berlin www.ose-germany.de +49 (0) 30 / 92282426	License	CERN - OHL	File Name	oseg_sp_4.2_disk-core.ipt		Version	1.0	Quantity	1.0
				Scale	1:1	Sheet	23/30	Date	14.10.20




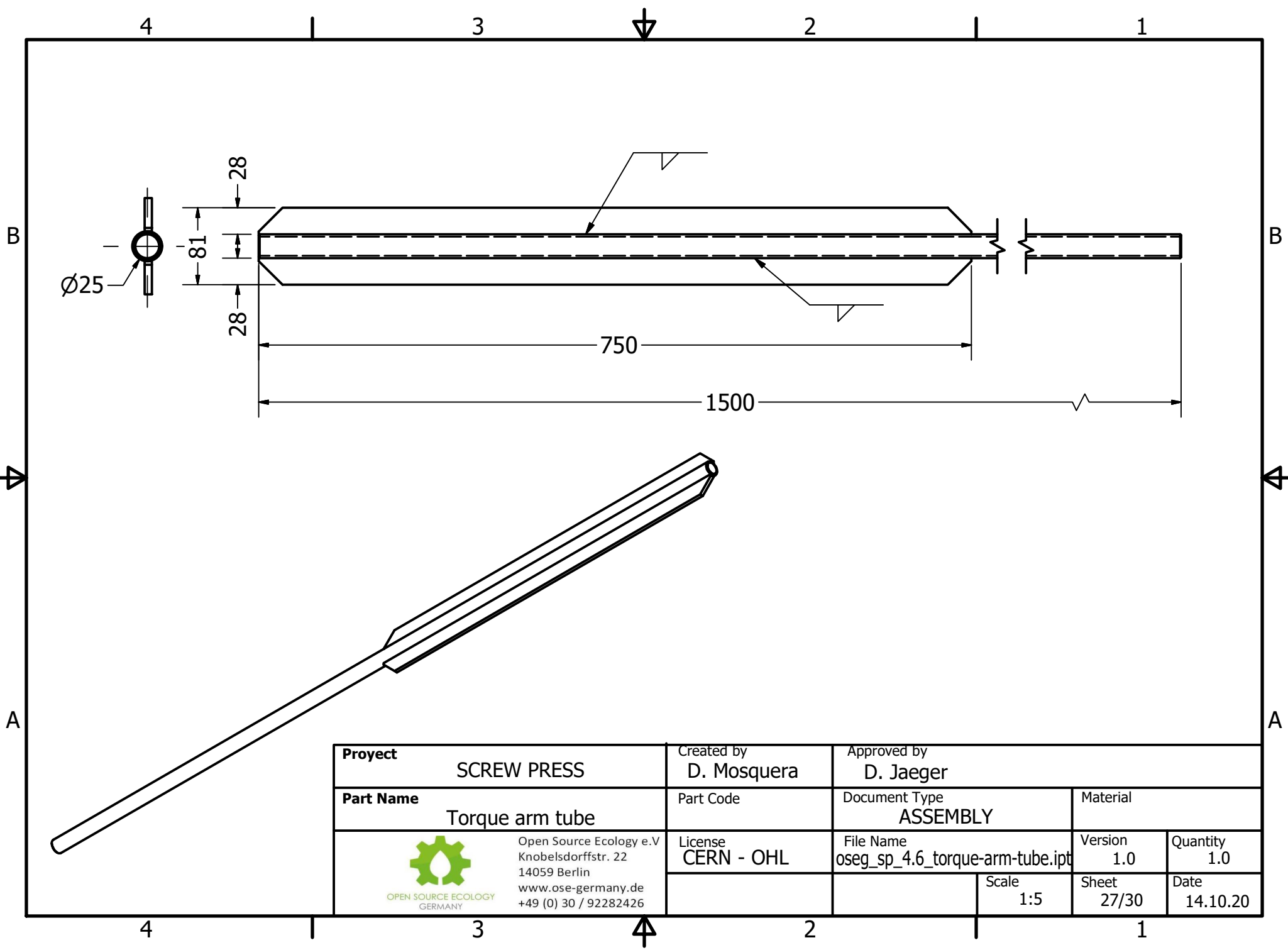
Project	SCREW PRESS	Created by	D. Mosquera			Approved by	D. Jaeger		
Part Name	Screw column	Part Code	4.3	Document Type	PART		Material	Stainless Steel	
 Open Source Ecology e.V. Knobelsdorffstr. 22 14059 Berlin www.ose-germany.de +49 (0) 30 / 92282426	License	CERN - OHL	File Name	oseg_sp_4.3_screw-column.ipt		Version	1.0	Quantity	1.0
				Scale	1:2	Sheet	24/30	Date	14.10.20




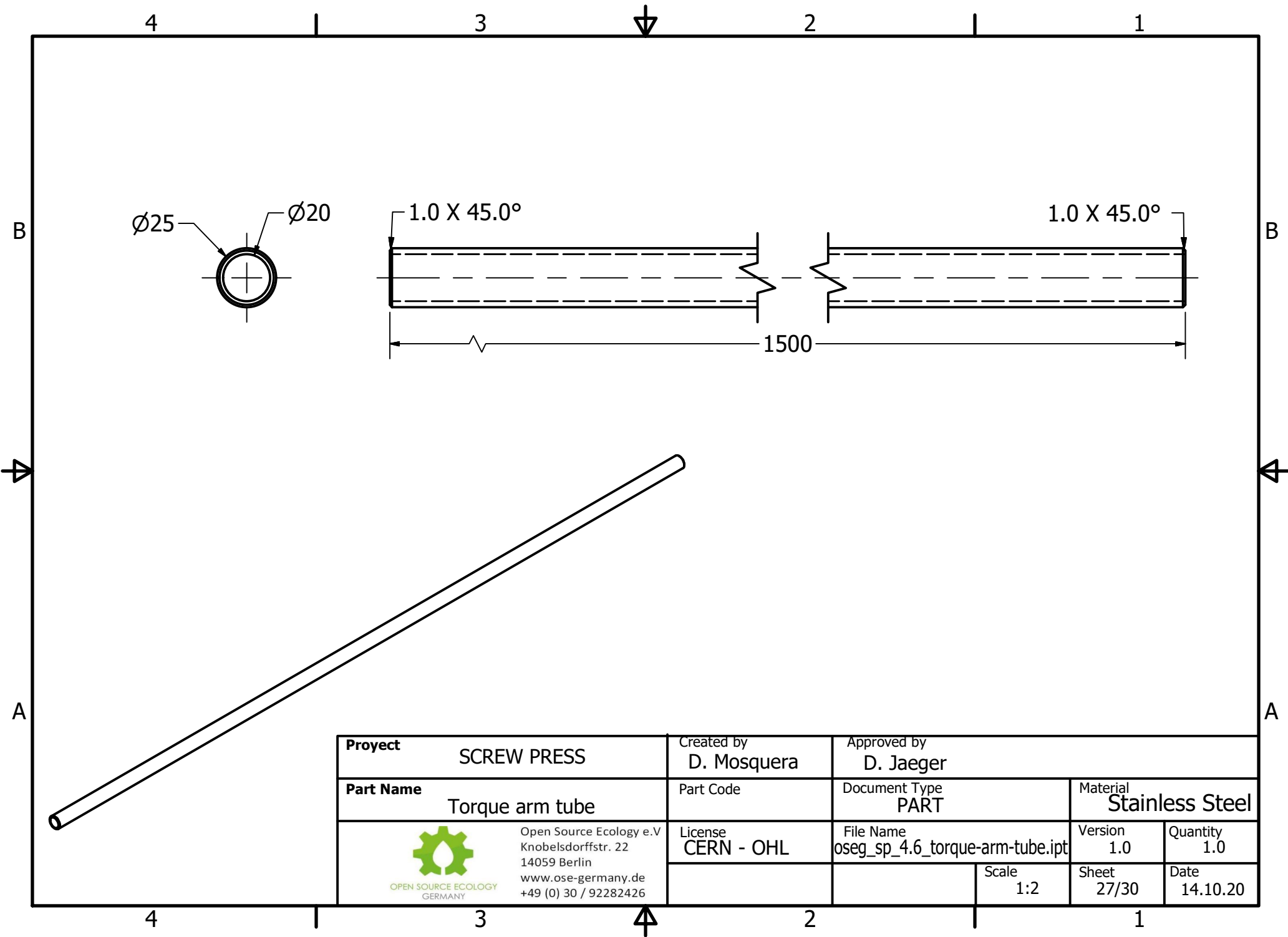
Project	SCREW PRESS	Created by	D. Mosquera			Approved by	D. Jaeger			
Part Name	Arm profile	Part Code	4.4	Document Type	PART		Material	Stainless Steel		
 Open Source Ecology e.V. Knobelsdorffstr. 22 14059 Berlin www.ose-germany.de +49 (0) 30 / 92282426	License	CERN - OHL		File Name	oseg_sp_4.4_arm-profile.ipt		Version	1.0	Quantity	1.0
				Scale	1:2		Sheet	25/30	Date	14.10.20




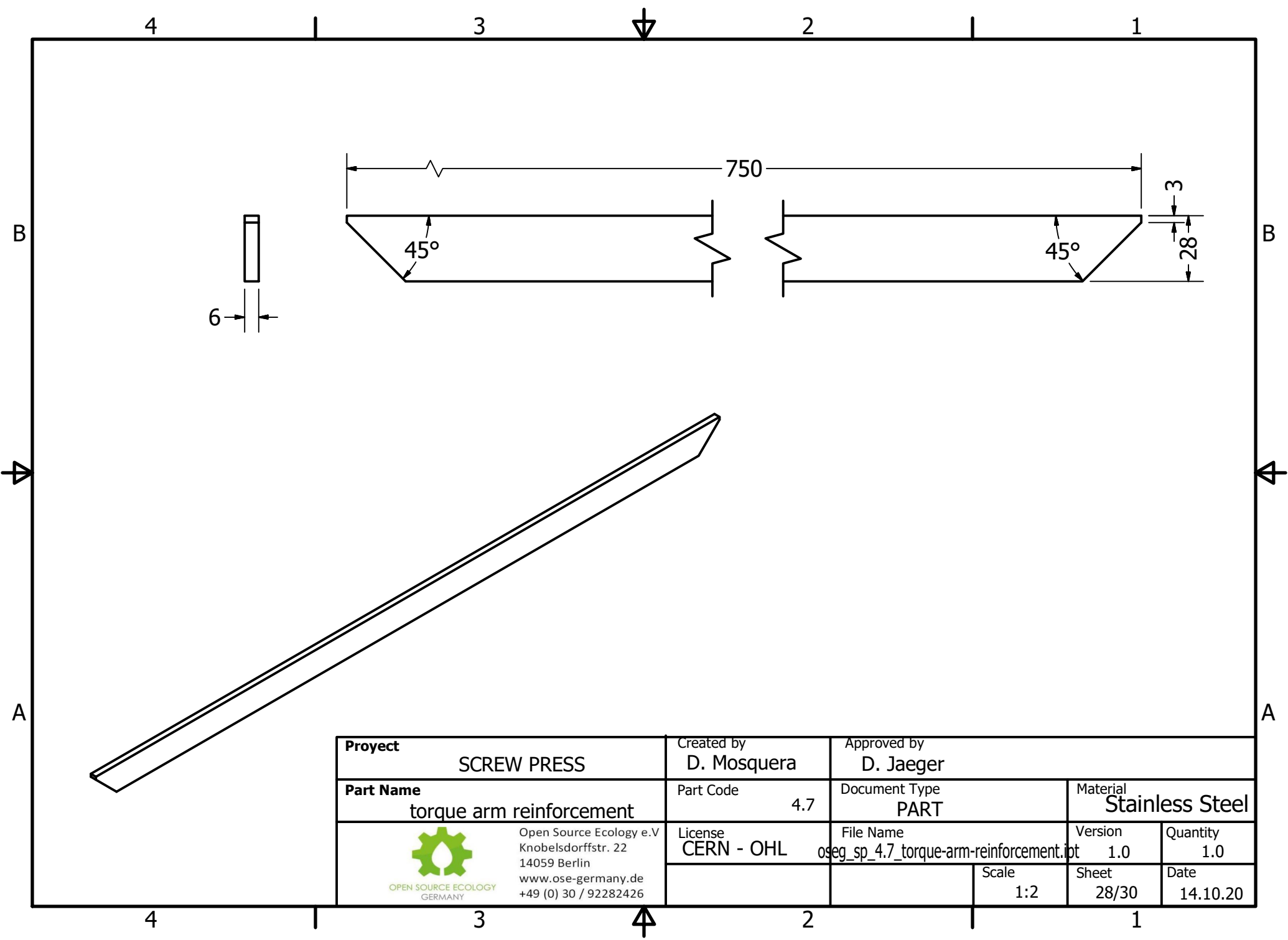
Proyect	SCREW PRESS	Created by	D. Mosquera			Approved by	D. Jaeger			
Part Name	Arm cover	Part Code	4.5	Document Type	PART		Material	Stainless Steel		
 Open Source Ecology e.V Knobelsdorffstr. 22 14059 Berlin www.ose-germany.de +49 (0) 30 / 92282426	License	CERN - OHL		File Name	oseg_sp_4.5_arm-cover.ipt		Version	1.0	Quantity	1.0
				Scale	1:2		Sheet	26/30	Date	14.10.20




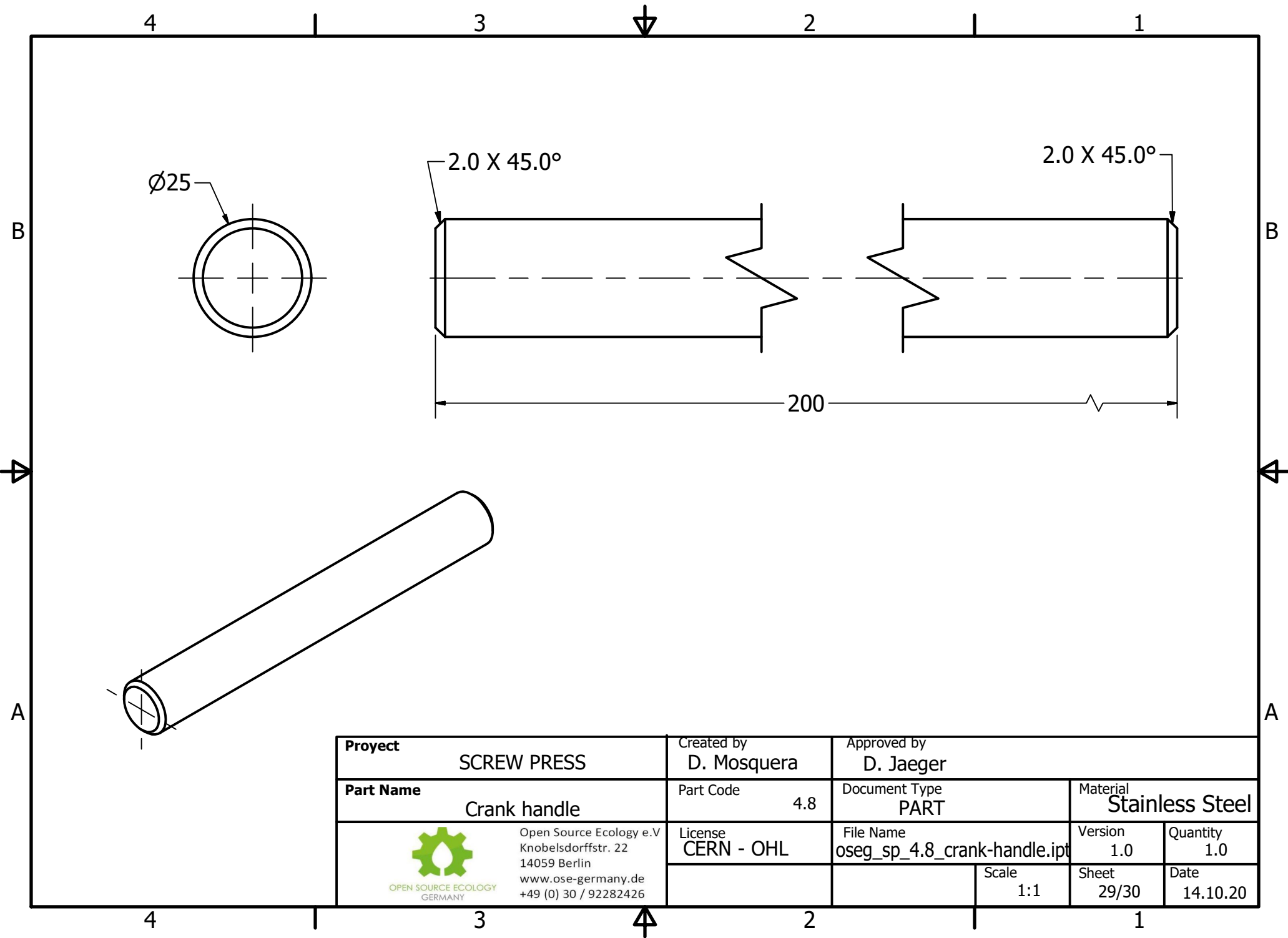
Project SCREW PRESS		Created by D. Mosquera		Approved by D. Jaeger	
Part Name Torque arm tube		Part Code		Document Type ASSEMBLY	
 Open Source Ecology e.V Knobelsdorffstr. 22 14059 Berlin www.ose-germany.de +49 (0) 30 / 92282426	License CERN - OHL		File Name oseg_sp_4.6_torque-arm-tube.ipt		Version 1.0
			Scale 1:5		Sheet 27/30
				Date 14.10.20	




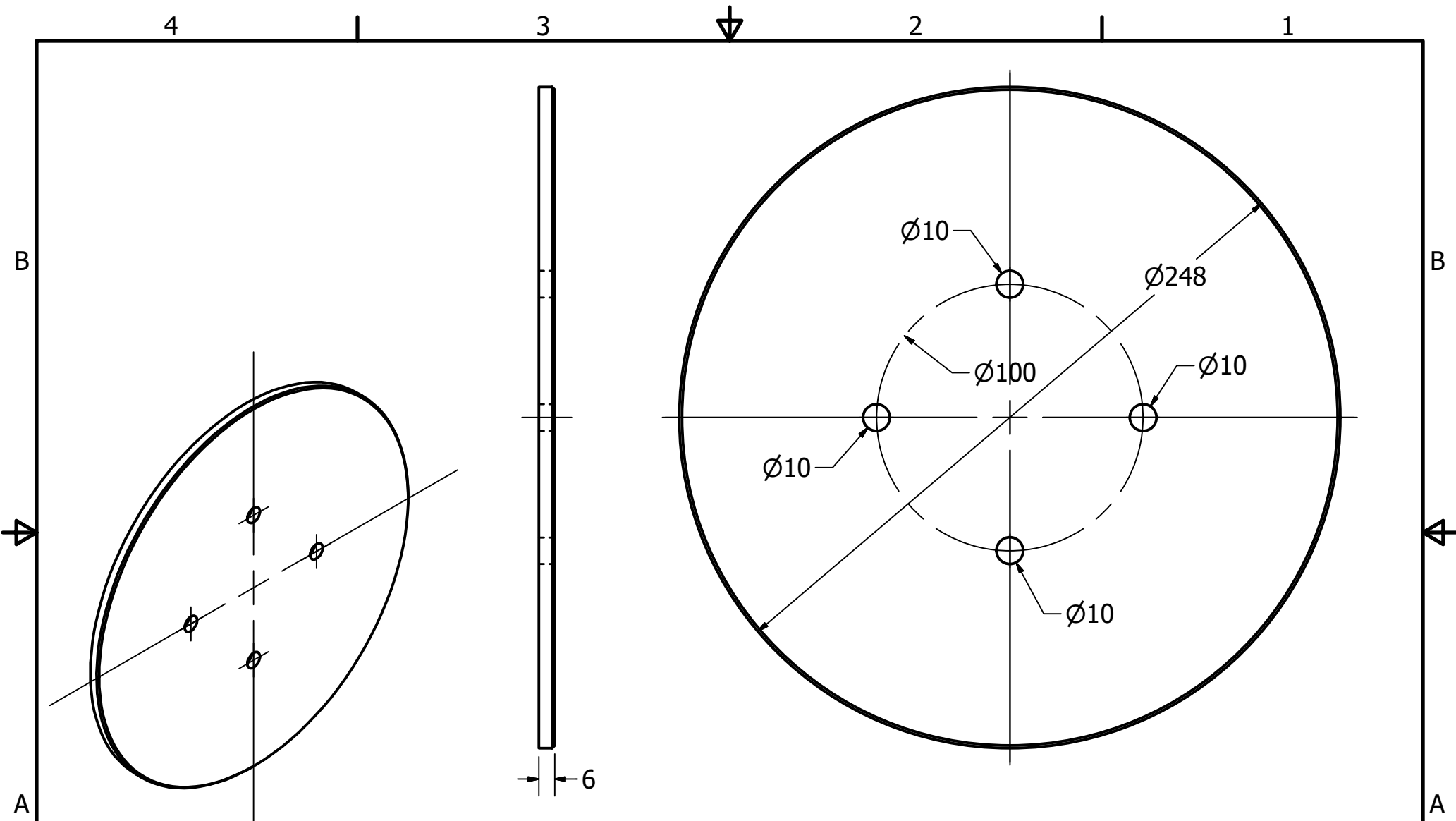
Project	SCREW PRESS	Created by	D. Mosquera			Approved by	D. Jaeger		
Part Name	Torque arm tube	Part Code				Document Type	PART		
 Open Source Ecology e.V Knobelsdorffstr. 22 14059 Berlin www.ose-germany.de +49 (0) 30 / 92282426	License	CERN - OHL			File Name	oseg_sp_4.6_torque-arm-tube.ipt			
					Scale	1:2			
					Version	1.0		Quantity	1.0
					Sheet	27/30		Date	14.10.20




Project SCREW PRESS		Created by D. Mosquera	Approved by D. Jaeger		
Part Name torque arm reinforcement		Part Code 4.7	Document Type PART		Material Stainless Steel
 Open Source Ecology e.V. Knobelsdorffstr. 22 14059 Berlin www.ose-germany.de +49 (0) 30 / 92282426	License CERN - OHL	File Name oseg_sp_4.7_torque-arm-reinforcement.ipt		Version 1.0	Quantity 1.0
			Scale 1:2	Sheet 28/30	Date 14.10.20



Project	SCREW PRESS	Created by	D. Mosquera			Approved by	D. Jaeger		
Part Name	Crank handle	Part Code	4.8	Document Type	PART		Material	Stainless Steel	
 Open Source Ecology e.V. Knobelsdorffstr. 22 14059 Berlin www.ose-germany.de +49 (0) 30 / 92282426	License	CERN - OHL	File Name	oseg_sp_4.8_crank-handle.ipt		Version	1.0	Quantity	1.0
			Scale	1:1		Sheet	29/30	Date	14.10.20



Project	SCREW PRESS	Created by	D. Mosquera			Approved by	D. Jaeger		
Part Name	Pressing discs	Part Code	4.9	Document Type	PART		Material	Stainless Steel	
 Open Source Ecology e.V. Knobelsdorffstr. 22 14059 Berlin www.ose-germany.de +49 (0) 30 / 92282426	License	CERN - OHL	File Name	oseg_sp_4.9_pressing-discs.ipt		Version	1.0	Quantity	1.0
				Scale	1:2	Sheet	30/30	Date	14.10.20