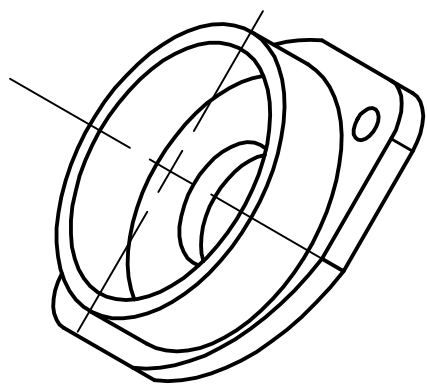




SECTION A-A



Proyect Wind Mill Pump		Created by D. Mosquera		Approved by D. Jaeger	
Part Name Bearing support		Part Code 2.6		Document Type part	
Material Steel C45		Version 1.0		Quantity 19	
Redesigned by  OPEN SOURCE ECOLOGY GERMANY		Supported by  E.ON STIFTUNG		License CC BY-SA 4.0	
				File Name oseg_wmp_bearing-support.ipt	
				Scale 1 : 1	
				Date 28.02.21	