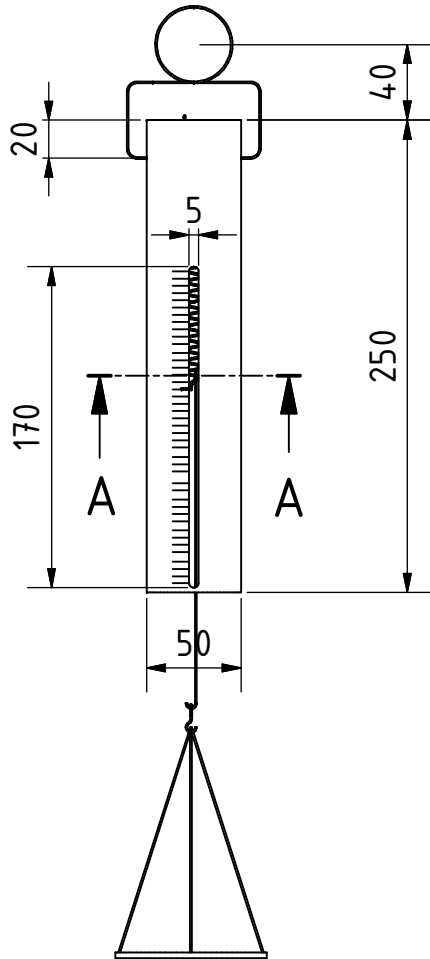
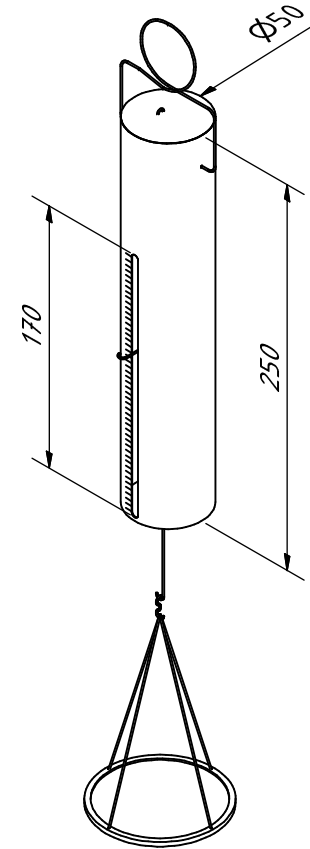
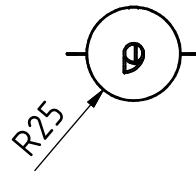


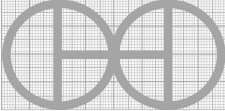
ELEVATION ( 1 : 4 )



A-A ( 1 : 4 )



Note: All units in mm.

PROJECT	CREATED BY	APPROVED BY	DATE	VERSION
Spring Scale	J. Zeron	A. Morillo	27/06/2021	1.0
PART NAME	FILE NAME			POS
3d views	apc_sps_spring-scale.iam			A1
DEVELOPED BY	REDESIGNED BY	DOC. TYPE	MATERIAL	QUANTITY
		Assembly		1
AMERICAN PEACE CORPS	OHO e.V.	LICENCE	SCALE	SHEET
		CC-BY-SA 4.0	1:4	1 / 9