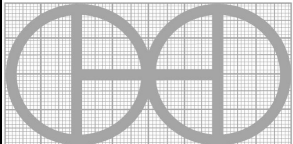
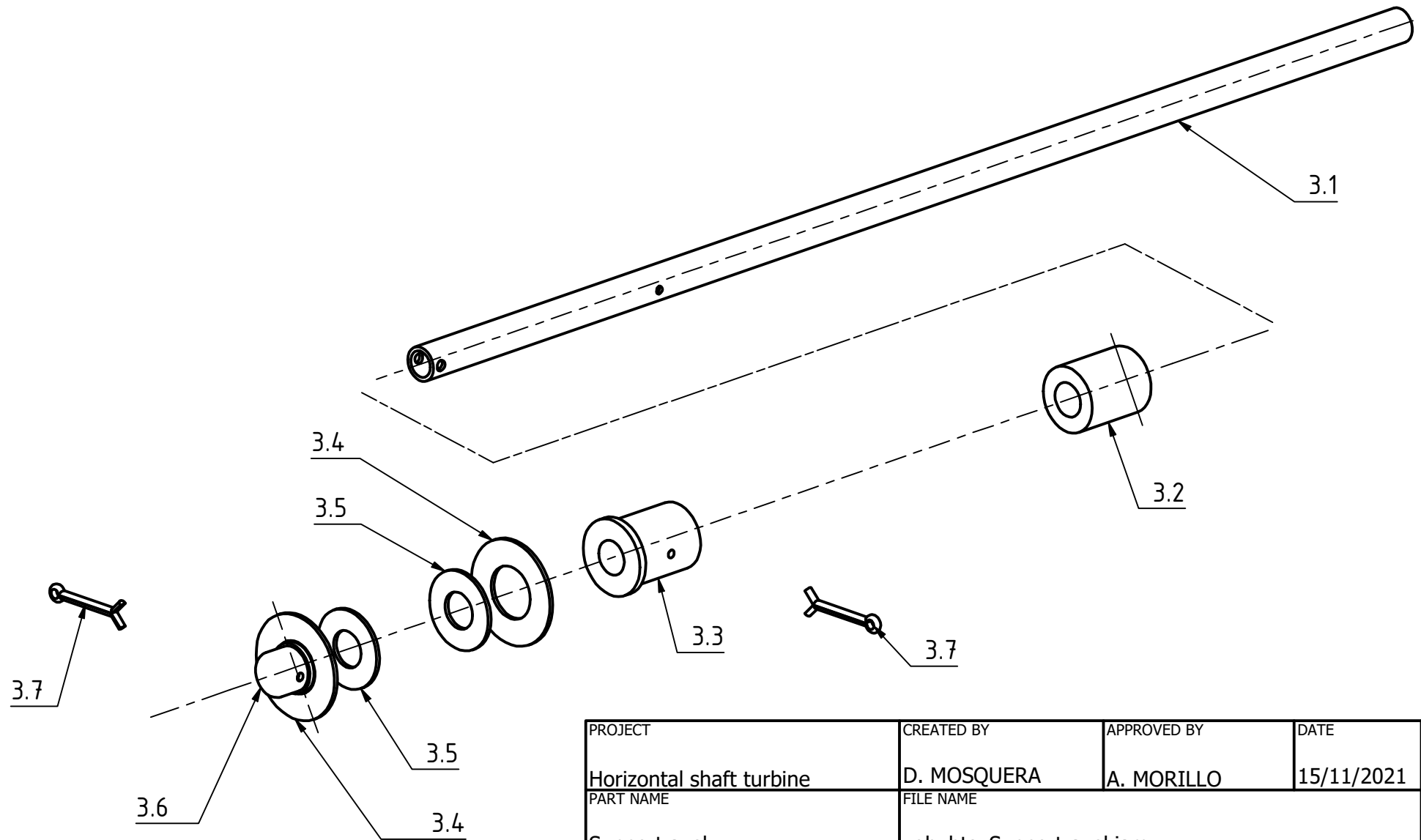
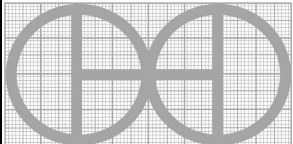


| | | | | |
|--------------------------|---|--------------|------------|----------|
| PROJECT | CREATED BY | APPROVED BY | DATE | VERSION |
| Horizontal shaft turbine | D. MOSQUERA | A. MORILLO | 15/11/2021 | 1.0 |
| PART NAME | FILE NAME | | | POS |
| Support axel | ygh_hts_Support-axel.iam | | | 3.0 |
| DEVELOPED BY | REDESIGNED BY | DOC. TYPE | MATERIAL | QUANTITY |
| Original developer |  | Assembly | | 1 |
| | | LICENCE | SCALE | SHEET |
| | | CC-BY-SA 4.0 | 1:4 | 17 /28 |



| | | | | |
|--------------------------|---|------------------|------------|----------|
| PROJECT | CREATED BY | APPROVED BY | DATE | VERSION |
| Horizontal shaft turbine | D. MOSQUERA | A. MORILLO | 15/11/2021 | 1.0 |
| PART NAME | FILE NAME | | | POS |
| Support axel | ygh_hts_Support-axel.iam | | | 3.0 |
| DEVELOPED BY | REDESIGNED BY | DOC. TYPE | MATERIAL | QUANTITY |
| Original developer |  | OH e V: Assembly | | 1 |
| | | LICENCE | SCALE | SHEET |
| | | CC-BY-SA 4.0 | | 18 /28 |