
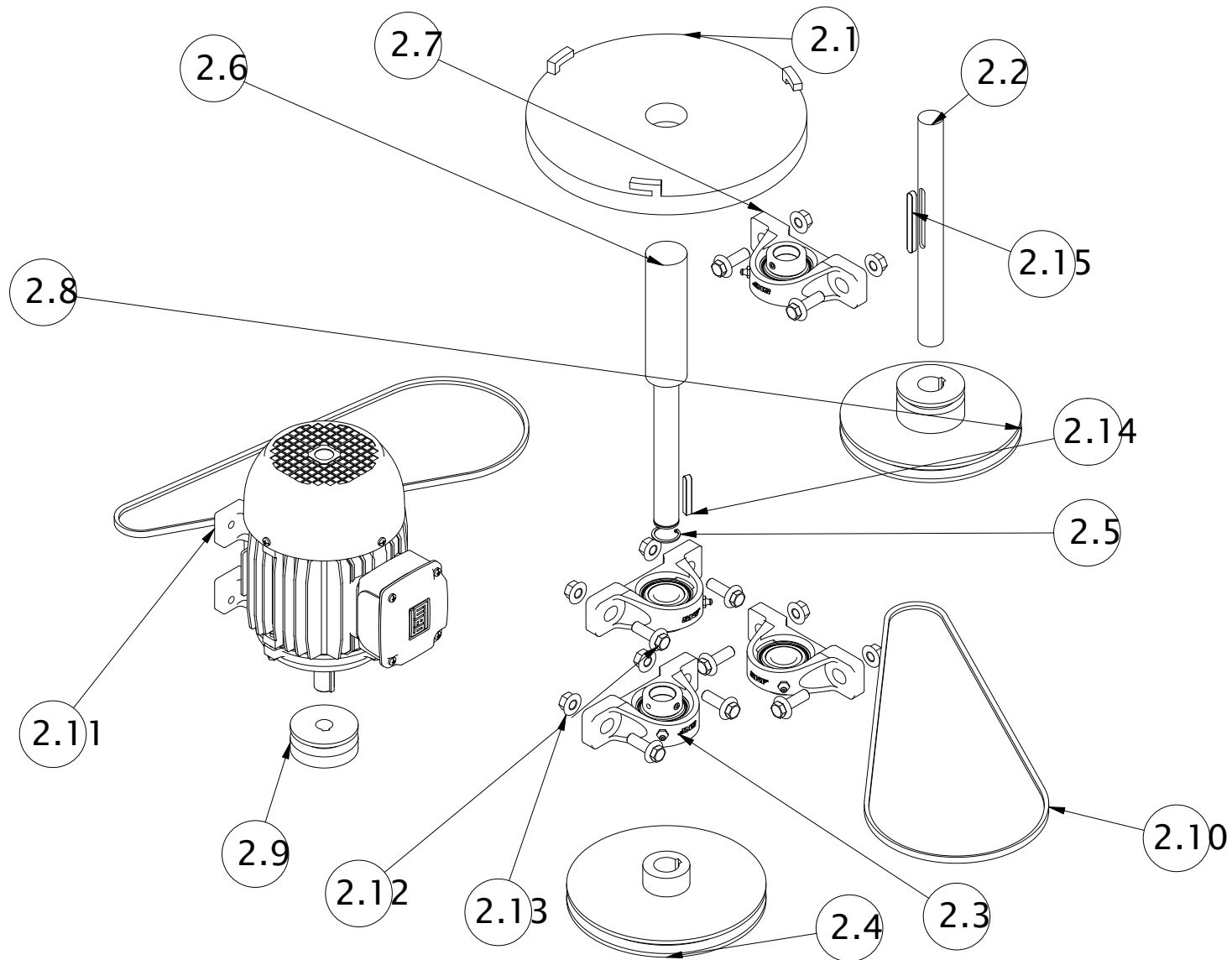



Note: All units in mm.

PROJECT	CREATED BY	APPROVED BY	DATE	VERSION
Potery wheel	J. Rosciano	A. Morillo	17/06/2021	1.2
PART NAME	FILE NAME			
Drive train	2.0_Drive_Train.iam	2.0		
DEVELOPED BY	REDESIGNED BY	DOC. TYPE	MATERIAL	QUANTITY
		Assembly		1
Practical Action	OHO e.V.	LICENCE	SCALE	SHEET
		CC-BY-SA 4.0	1/12	19 /46



PROJECT	CREATED BY	APPROVED BY	DATE	VERSION
Potery wheel	J. Rosciano	A. Morillo	17/06/2021	1.2
PART NAME	FILE NAME	POS		
3D views	2.0_Drive_Train.ipn	2.0		
DEVELOPED BY	REDESIGNED BY	DOC. TYPE	MATERIAL	QUANTITY
		Assembly		1
Practical Action	OHO e.V.	LICENCE	SCALE	SHEET
		CC-BY-SA 4.0	1/12	20 /46