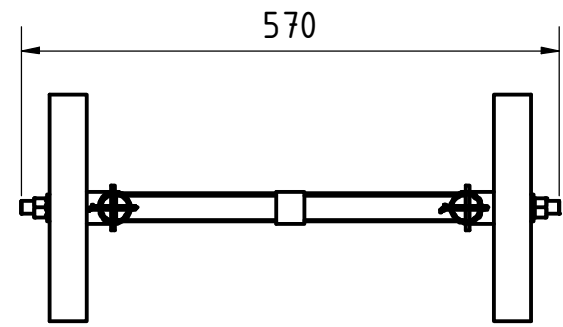
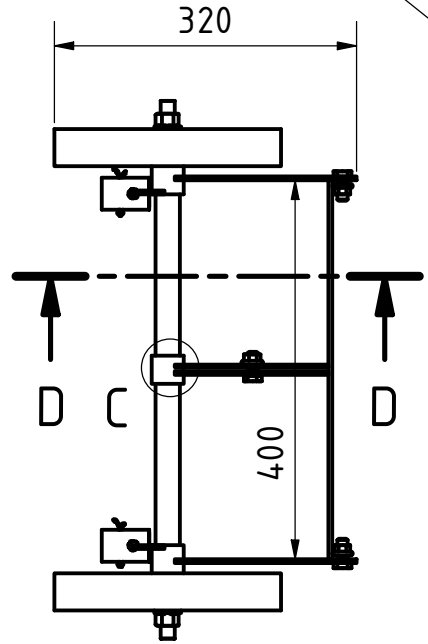
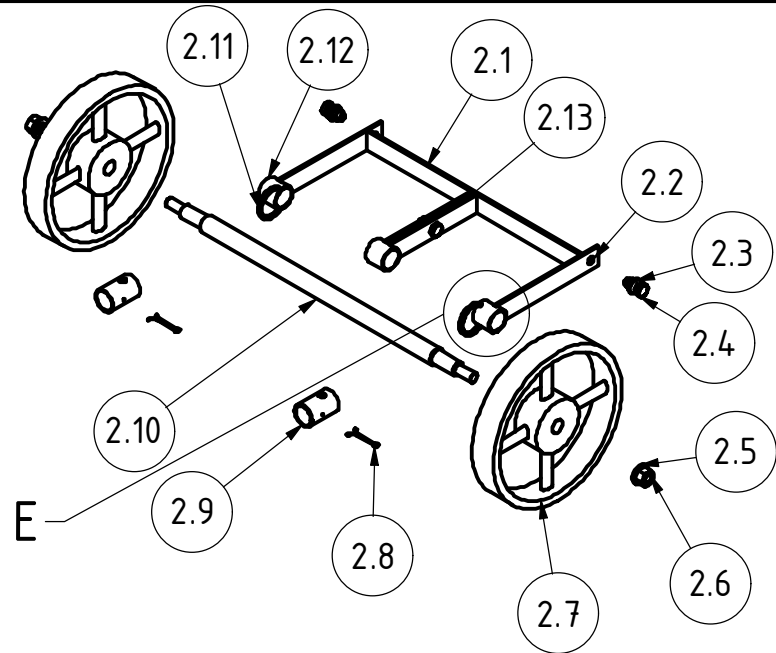


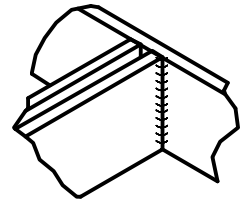
Ø24.0



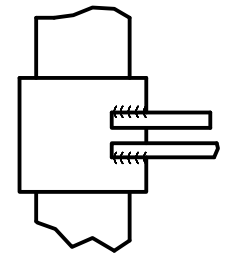
570



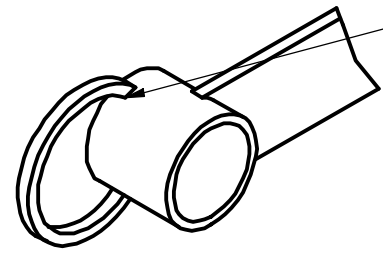
B ( 1 : 2 )



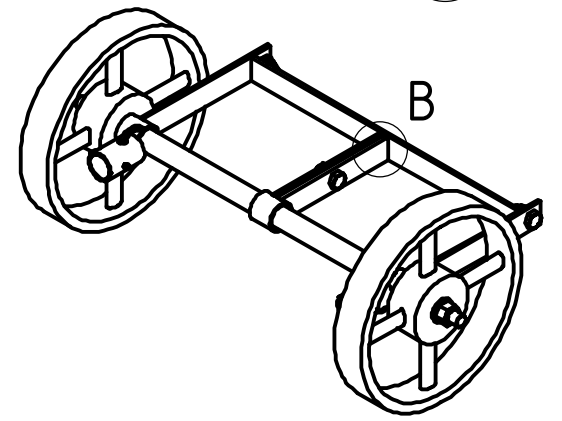
C ( 1 : 2 )



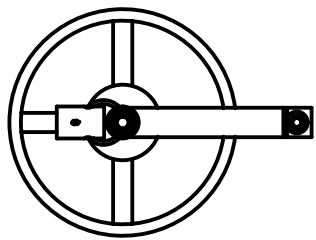
E ( 1 : 2 )



Welded semi ring



D-D ( 1 : 8 )



PROJECT	CREATED BY	APPROVED BY	DATE	VERSION
Dual purpose weeder	E. Ceballos	A. Morillo	17/09/2021	1.0
PART NAME	FILE NAME			POS
Harrow holder	Harrow holder.iam			2.0
DEVELOPED BY	REDESIGNED BY	DOC. TYPE	MATERIAL	QUANTITY
		Assembly		1
Practical Action	OHO e.V.	LICENCE	SCALE	SHEET
		CC-BY-SA 4.0	1 : 8	6 / 14