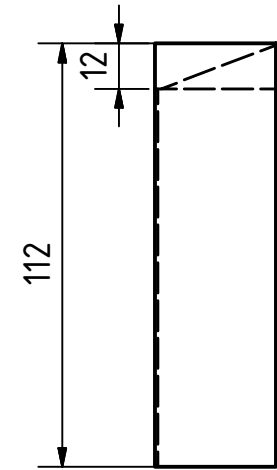
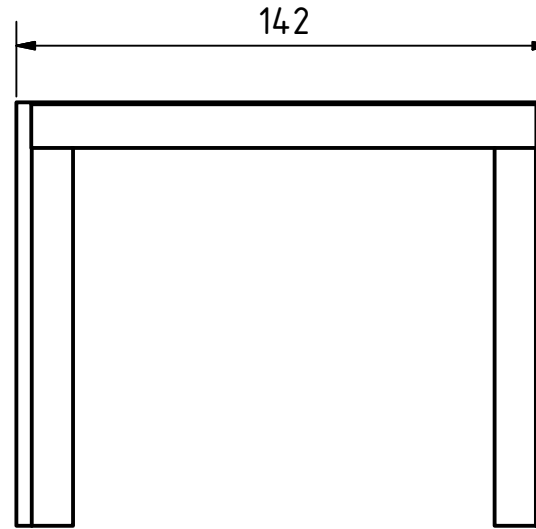
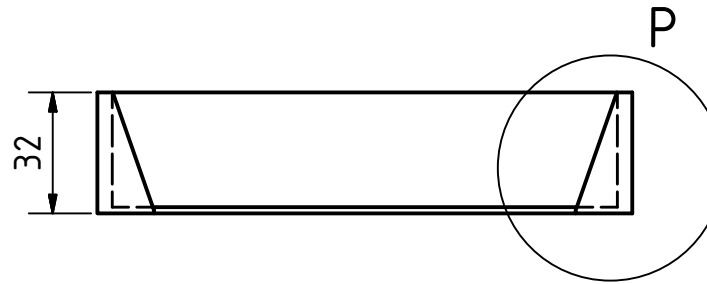
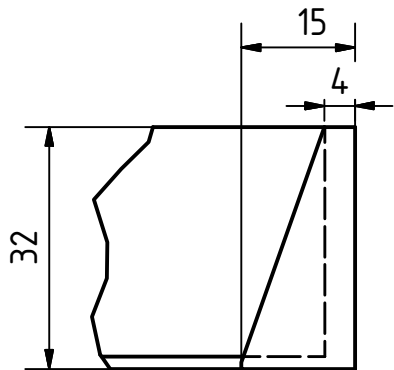


SCALE (1 : 2)

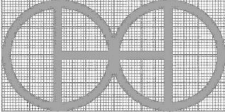


SCALE (1 : 2)

Note: All units in mm. Cutting wooden parts with manual tool.



P (1 : 1)

PROJECT Peeling Machine for Sunflower Seeds	CREATED BY L. Ruda	APPROVED BY A. Morillo	DATE 16/09/2021	VERSION 1.0
PART NAME Upper hop support	FILE NAME Upper hop support.ipt			POS 3.1.1
DEVELOPED BY	REDESIGNED BY 	DOC. TYPE Part	MATERIAL Kiln dried wood	QUANTITY 1
Tropical Products Institute OHO e.V.		LICENCE CC-BY-SA 4.0	SCALE 1:2	SHEET 39 /71