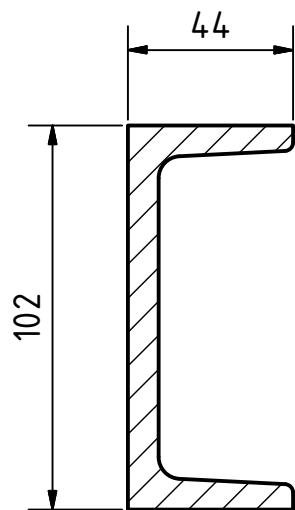
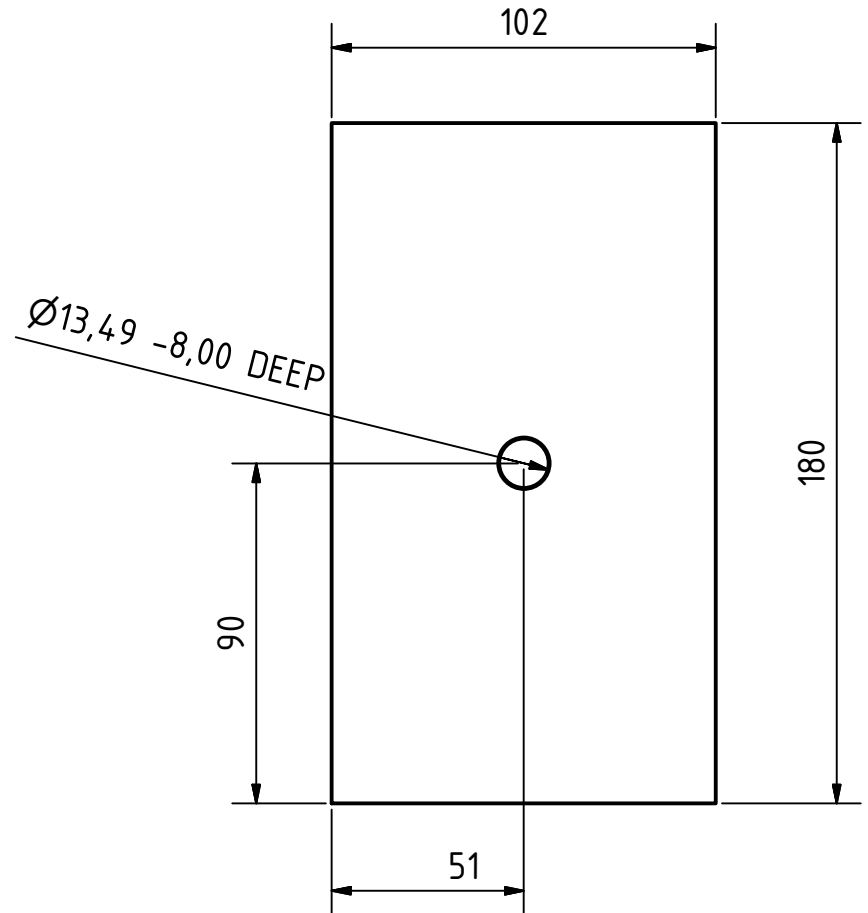
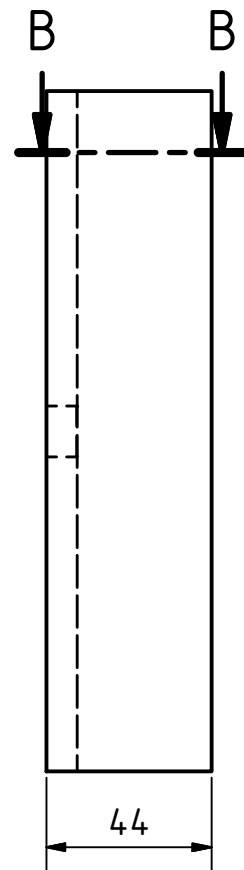


SCALE ( 1 : 2 )

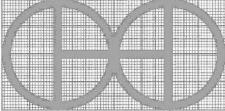


B-B ( 1 : 2 )



SCALE ( 1 : 2 )

Note: All units in mm.

PROJECT	CREATED BY	APPROVED BY	DATE	VERSION
Press for Water Filters	L. Ruda	A. Morillo	01/09/2021	1.0
PART NAME	FILE NAME			POS
Profile C in C 110 x 50	Profile C in C 110 x 50.ipt			1.9.0
DEVELOPED BY	REDESIGNED BY	DOC. TYPE	MATERIAL	QUANTITY
	 OHO e.V.	Part	Steel A36	1
		LICENCE	SCALE	SHEET
		CC-BY-SA 4.0	1:2	17 /46