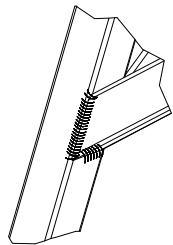
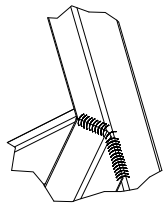


BE (1 : 15)




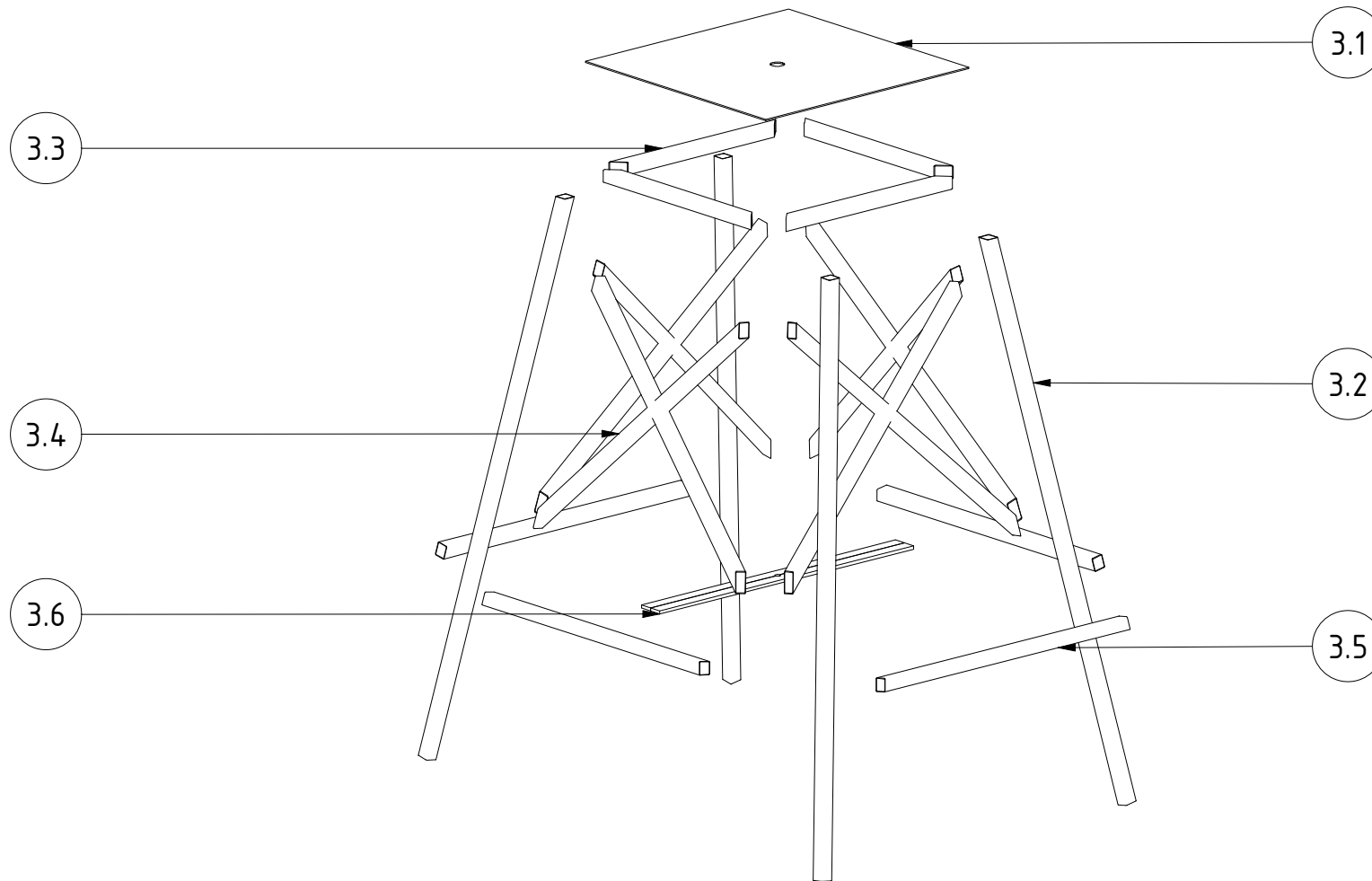
BF (1/15)




BG (1/15)

Note: All units in mm.

PROJECT Wind turbine with vertical metal drum sails	CREATED BY J. Rosciano	APPROVED BY A. Morillo	DATE 27/10/2021	VERSION 1.1
PART NAME Structure assembly	FILE NAME Structure assembly.iam			POS 3.0
PUBLISHED BY  OPEN HARDWARE OBSERVATORY Free Blueprints for Sustainable Development	DOC. TYPE Assembly	MATERIAL		QUANTITY 1
OHO e.V.	LICENCE CC-BY-SA 4.0	SCALE 1/60	SHEET 25 /41	



PROJECT Wind turbine with vertical metal drum sails		CREATED BY J. Rosciano	APPROVED BY A. Morillo	DATE 27/10/2021	VERSION 1.1
PART NAME Structure assembly		FILE NAME Structure assembly.ipn			POS 3.0
PUBLISHED BY  OPEN HARDWARE OBSERVATORY Free Blueprints for Sustainable Development		DOC. TYPE Assembly	MATERIAL	QUANTITY 1	
OHO e.V.		LICENCE CC-BY-SA 4.0	SCALE 1/40	SHEET 26 /41	