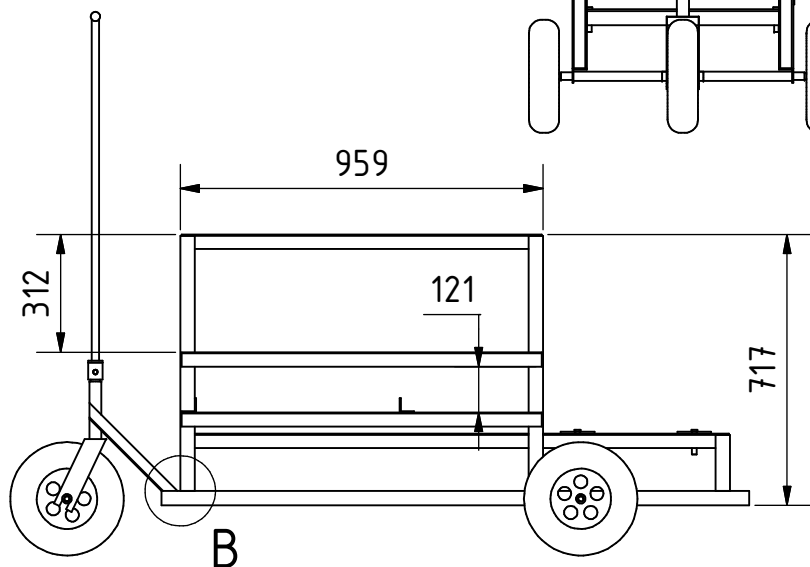
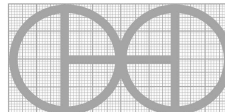


B (1 : 10)

A (1 : 10)



All metal parts are welded.
Note: All units in mm.

PROJECT Power Thresher for rice and wheat		CREATED BY J. Zeron		APPROVED BY A. Morillo		DATE 30/08/2021	VERSION 1.0
PART NAME Frame		FILE NAME Frame.ipn				POS 1.0	QUANTITY 1
DEVELOPED BY Practical Action		REDESIGNED BY OHO e.V.		DOC. TYPE Assembly	MATERIAL	SCALE 1:20	SHEET 6 /43
				LICENCE CC-BY-SA 4.0			