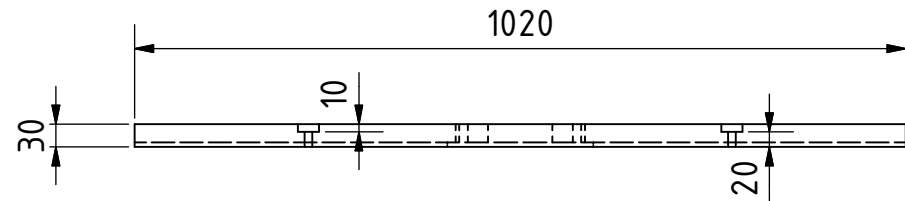
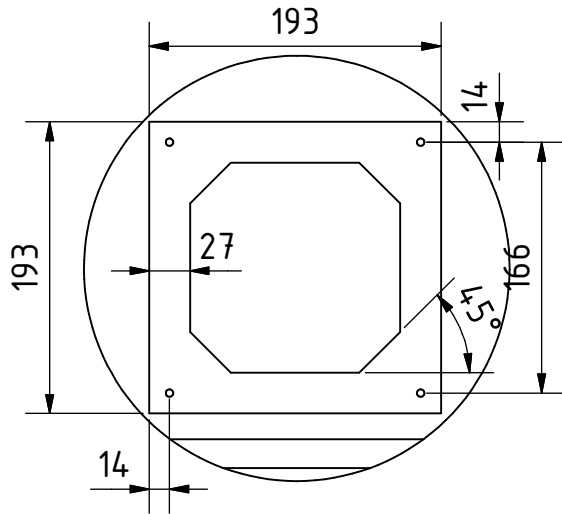



A (1 : 5)



Note: All units in mm.

PROJECT Table for Milling Machine - bed 1020 mm	CREATED BY J. Zeron	APPROVED BY A. Morillo	DATE 17/08/2021	VERSION 1.0
PART NAME Table top	FILE NAME Table top.ipt			POS 1.1
PUBLISHED ON	DOC. TYPE Part	MATERIAL Kiln dried wood	SCALE 1:10	QUANTITY 1
 OPEN HARDWARE OBSERVATORY Free Blueprints for Sustainable Development www.oho.wiki	LICENCE CC-BY-SA 4.0		SHEET 7 / 14	