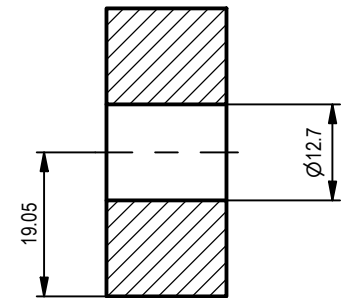
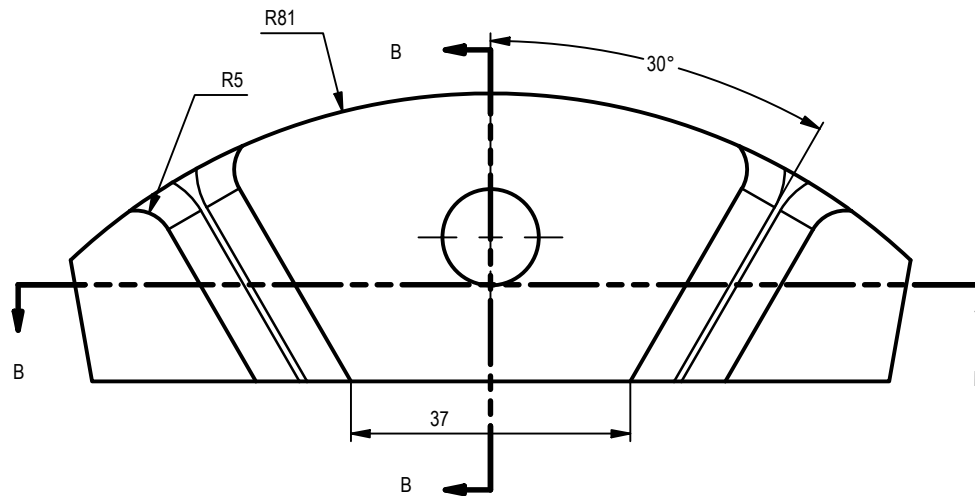
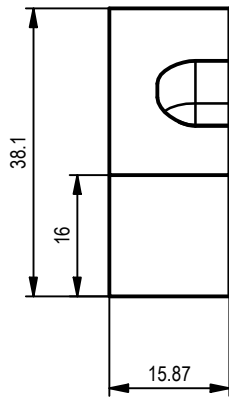




SECTION B-B
SCALE 1 : 1



SECTION B-B
SCALE 1 : 1

PROJECT BEE HONEY EXTRACTOR	CREATED BY A. PARDO	APPROVED BY		
PART NAME CURVE TO FIT INSIDE RIM	PART CODE 1.10	DOCUMENT TYPE PART	MATERIAL WOOD	
 OPEN SOURCE ECOLOGY GERMANY	LICENSE 	FILE NAME CURVE TO FIT INSIDE RIM.ipt	VERSION 1.0	QUANTITY 1
		SCALE 1 : 1	SHEET 11/23	DATE 29/9/2020