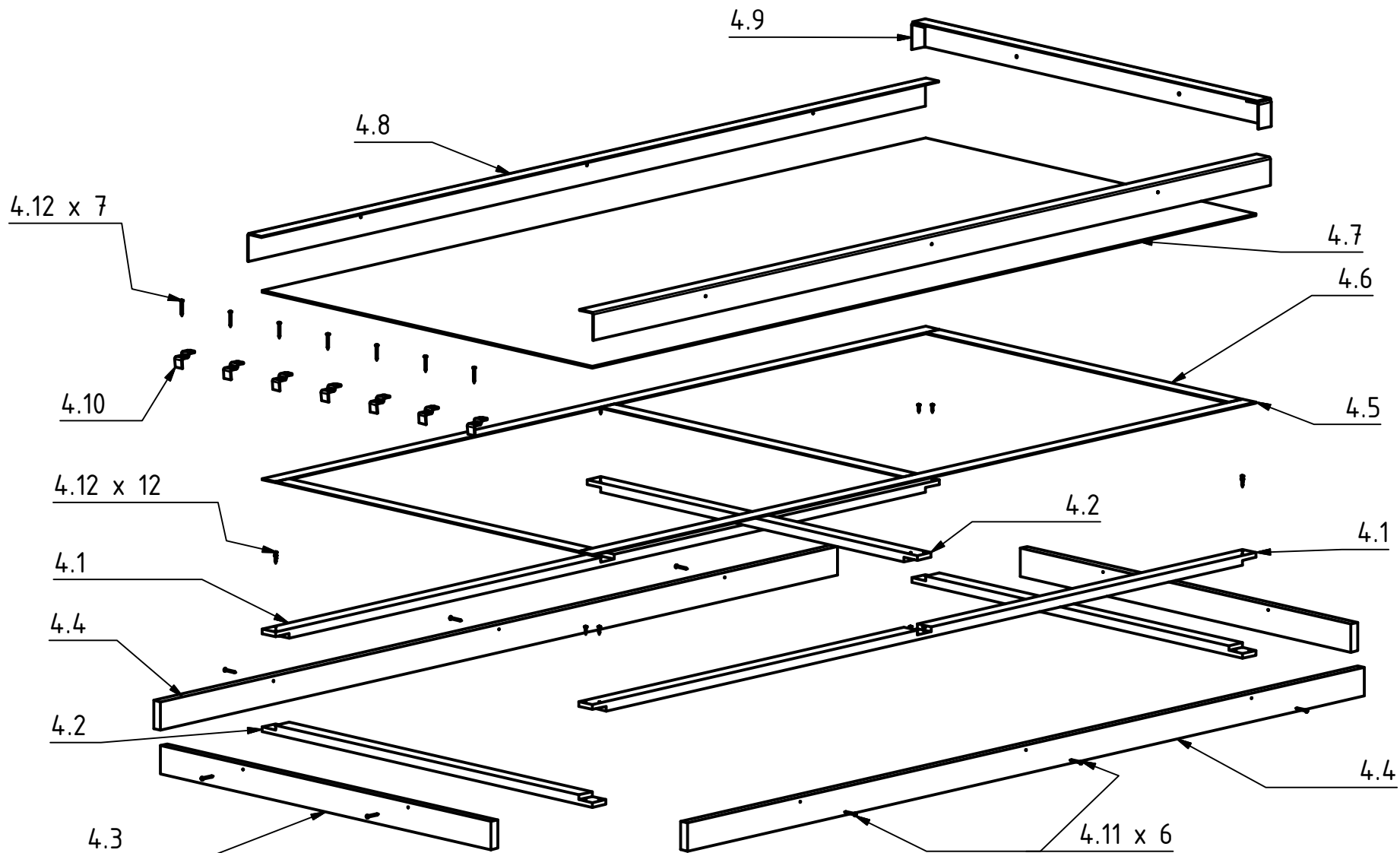



PROJECT Solar Water Heater with corrugated metal collector		CREATED BY D. MOSQUERA		APPROVED BY A. MORILLO		DATE 16-06-21		VERSION 1.0	
PART NAME Frame Glazing			FILE NAME eg_swh_frame-glazing.iam						POS 4.0
DEVELOPED BY ECOTOPE GROUP		REDESIGNED BY OSEG		DOC. TYPE ASSEMBLY		MATERIAL LICENCE		QUANTITY 1	
				CC-BY-SA 4.0		SCALE 1:20		SHEET 20 /31	



PROJECT Solar Water Heater with corrugated metal collector		CREATED BY D. MOSQUERA		APPROVED BY A. MORILLO		DATE 16-06-21		VERSION 1.0		
PART NAME Frame Glazing				FILE NAME eg_swh_frame-glazing.ipn				POS 4.0		
DEVELOPED BY ECOTOPE GROUP			REDESIGNED BY  OSEG			DOC. TYPE ASSEMBLY		MATERIAL		QUANTITY 1
						LICENCE CC-BY-SA 4.0		SCALE 1:20		
								SHEET 21 /31		