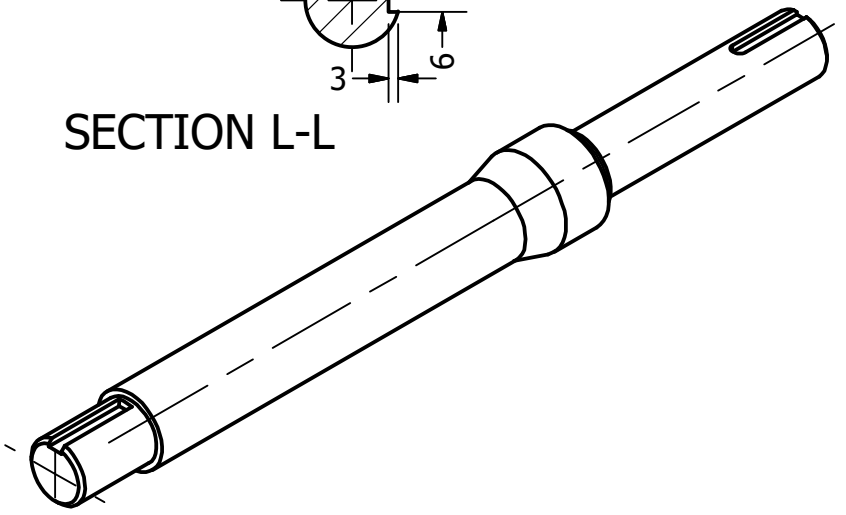



SECTION K-K

SECTION L-L



Project Small water turbine		Created by D. Mosquera		Approved by D. Jeager	
Part Name shaft		Part Code 11.1		Document Type part	
Material STAINLESS STEEL		Version 1.0		Quantity 1	
Redesigned by  OPEN SOURCE ECOLOGY GERMANY	Original drawing from <b>Practical ACTION</b>	License <a href="#">CERN-OHL</a>	File Name oseg_swt_shaft.ipt		Date 18.01.21
		Scale 1 / 2		Sheet 26	