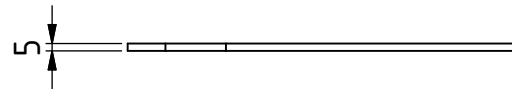
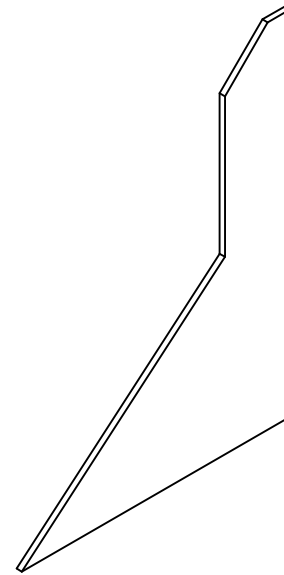
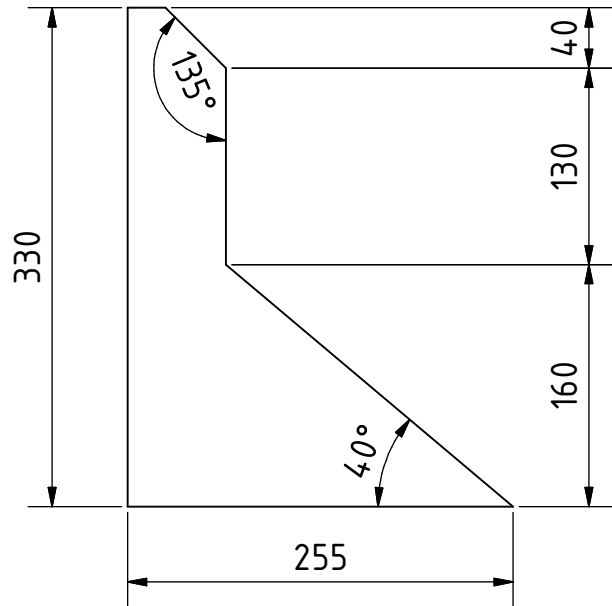


ELEVATION (1 : 5)



Note: All units in mm.

PROJECT Hand Operated Winnowing for groundnut		CREATED BY J. Zeron	APPROVED BY A. Morillo	DATE 09/08/2021	VERSION 1.0
PART NAME Panel A		FILE NAME Panel A.ipt			POS 4.1
DEVELOPED BY Tropical Products Institut	REDESIGNED BY OHO e.V.	DOC. TYPE Part	MATERIAL Plywood	QUANTITY 2	
		LICENCE CC-BY-SA 4.0	SCALE 1:5	SHEET 32 /45	