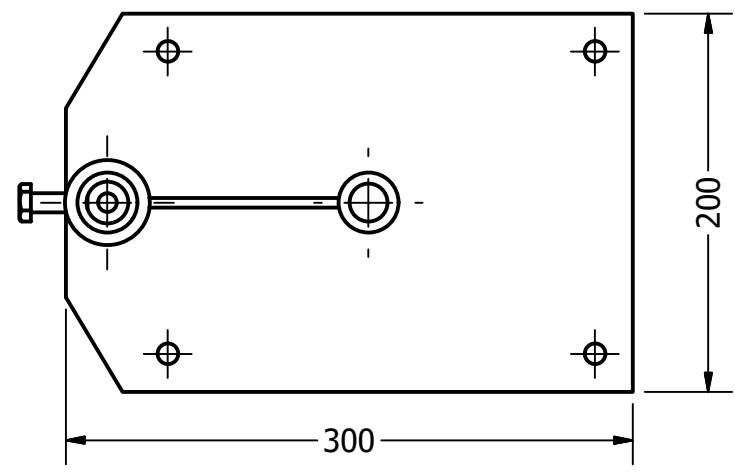
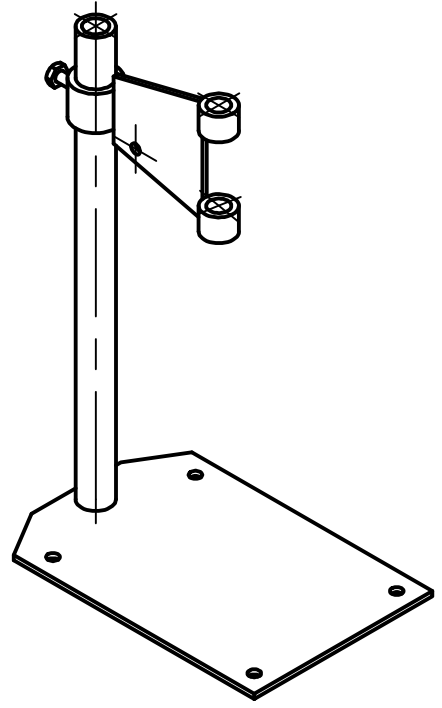
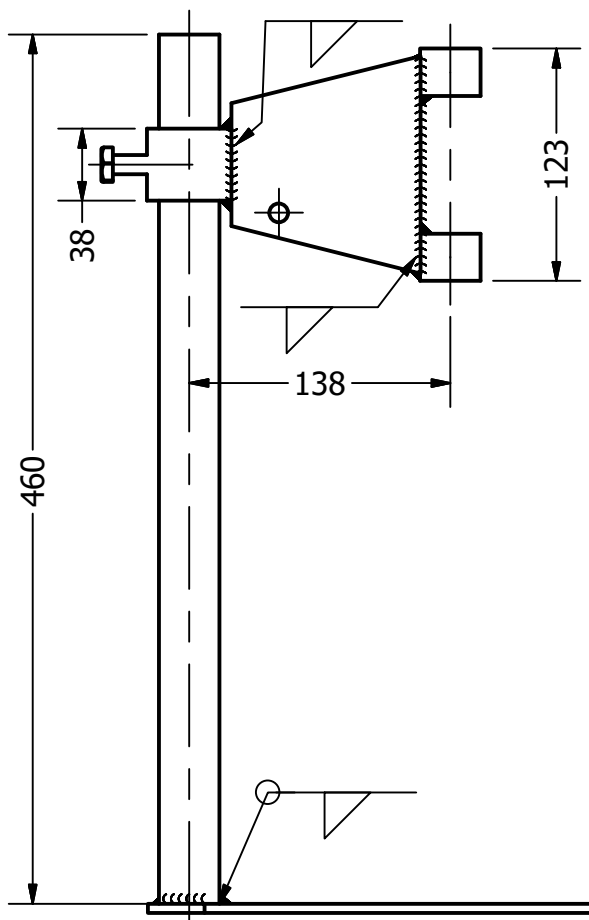



4 | 3 | 2 | 1



<b>Project</b> Crown cap machine		Created by <b>D. Mosquera</b>		Approved by <b>D. Jeager</b>	
<b>Part Name</b> base pedestal		Part Code 1		Document Type ASSEMBLY	
Redesigned by  OPEN SOURCE ECOLOGY GERMANY		Original drawing from <b>Practical ACTION</b>		License CERN-OHL	
		File Name oseg_ccm_1_base-pedestal.iam		Version 1.0	
		Scale 1:4		Quantity 5	
				Date 16.11.20	

4 | 3 | 2 | 1

4

3

2

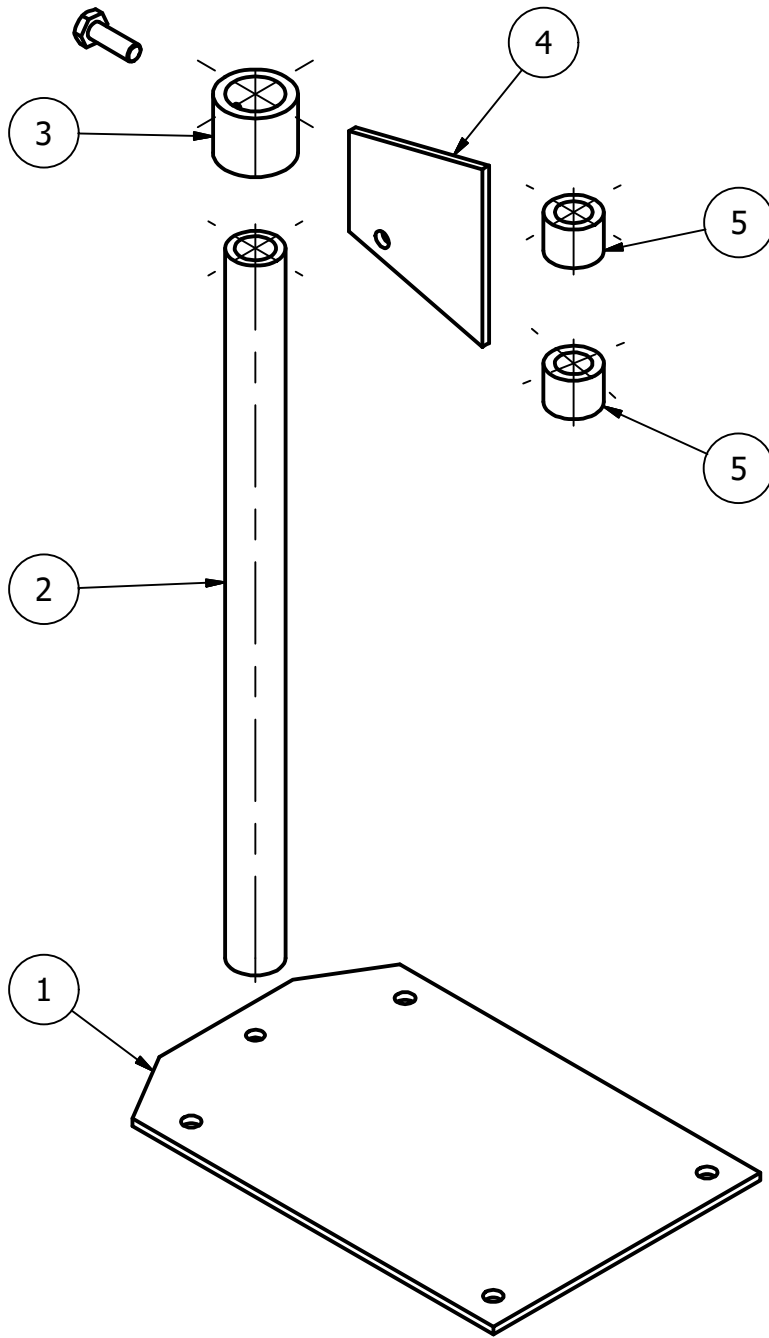
1


B

B

A

A



<b>Project</b> Crown cap machine		Created by <b>D. Mosquera</b>	Approved by <b>D. Jeager</b>		
<b>Part Name</b> base pedestal		Part Code 1	Document Type ASSEMBLY	Material	
Redesigned by  OPEN SOURCE ECOLOGY GERMANY	Original drawing from <b>Practical ACTION</b>	License CERN-OHL	File Name oseg_ccm_1_base-pedestal.iam	Version 1.0	Quantity
			Scale 1:4	Sheet 6	Date 16.11.20

4

3

2

1