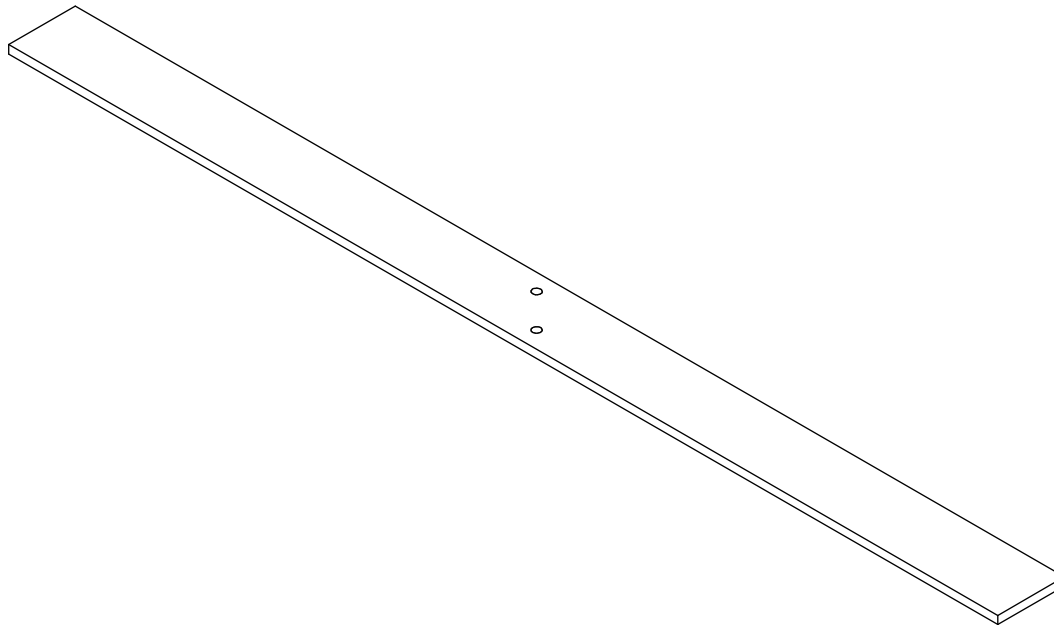
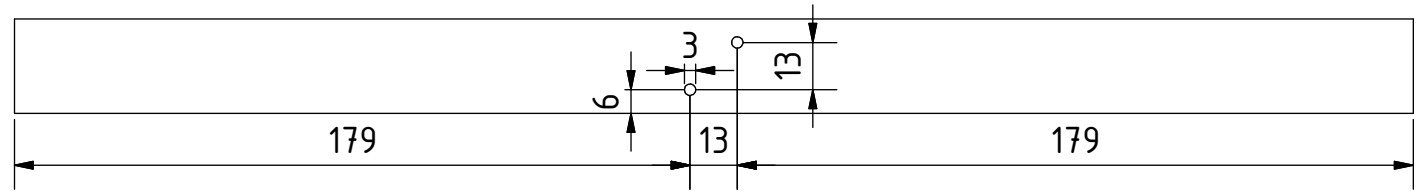
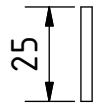
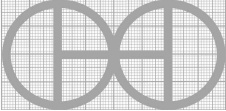


PLAN (1 : 2)



Note: All units in mm.

PROJECT	CREATED BY	APPROVED BY	DATE	VERSION
Smelting Furnace	J. Zeron	A. Morillo	01/08/2021	1.0
PART NAME	FILE NAME			POS
Flat A	Flat A.ipt			3.1
DEVELOPED BY	REDESIGNED BY	DOC. TYPE	MATERIAL	QUANTITY
		Part	Steel A36	2
Popular Mechanics No. 297	OHO e.V.	LICENCE	SCALE	SHEET
		CC-BY-SA 4.0	1:2	14 /16