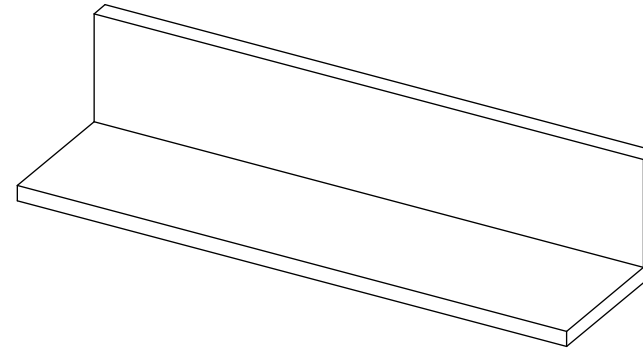
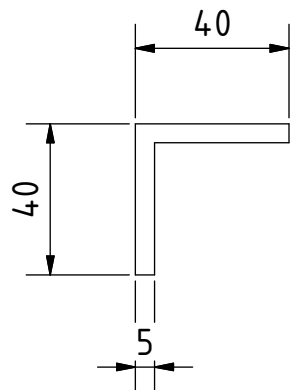
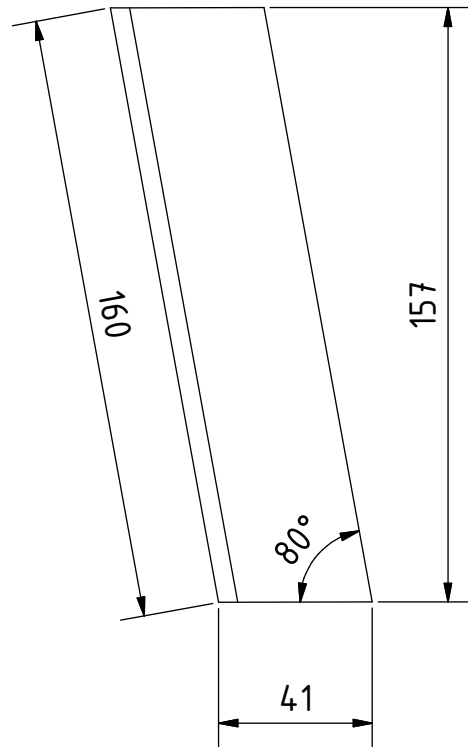
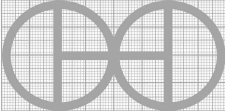


# PLAN ( 1 : 2 )



Note: All units in mm.

PROJECT	CREATED BY	APPROVED BY	DATE	VERSION
Forge Blower	J. Zeron	A. Morillo	30/07/2021	1.0
PART NAME	FILE NAME			POS
Frame base C	Frame base C.ipt			3
DEVELOPED BY	REDESIGNED BY	DOC. TYPE	MATERIAL	QUANTITY
		Part	Steel A36	1
Apt Abatec	OHO e.V.	LICENCE	SCALE	SHEET
		CC-BY-SA 4.0	1:2	5 /13