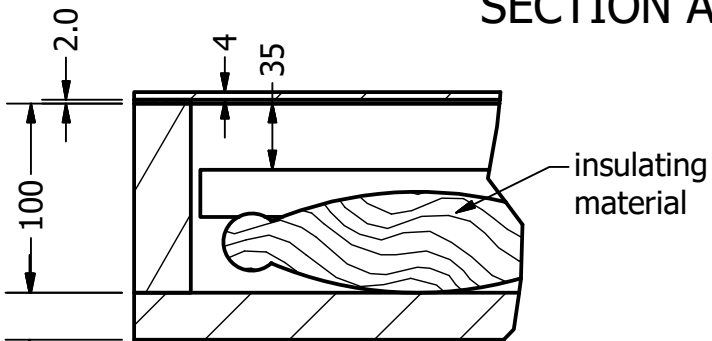


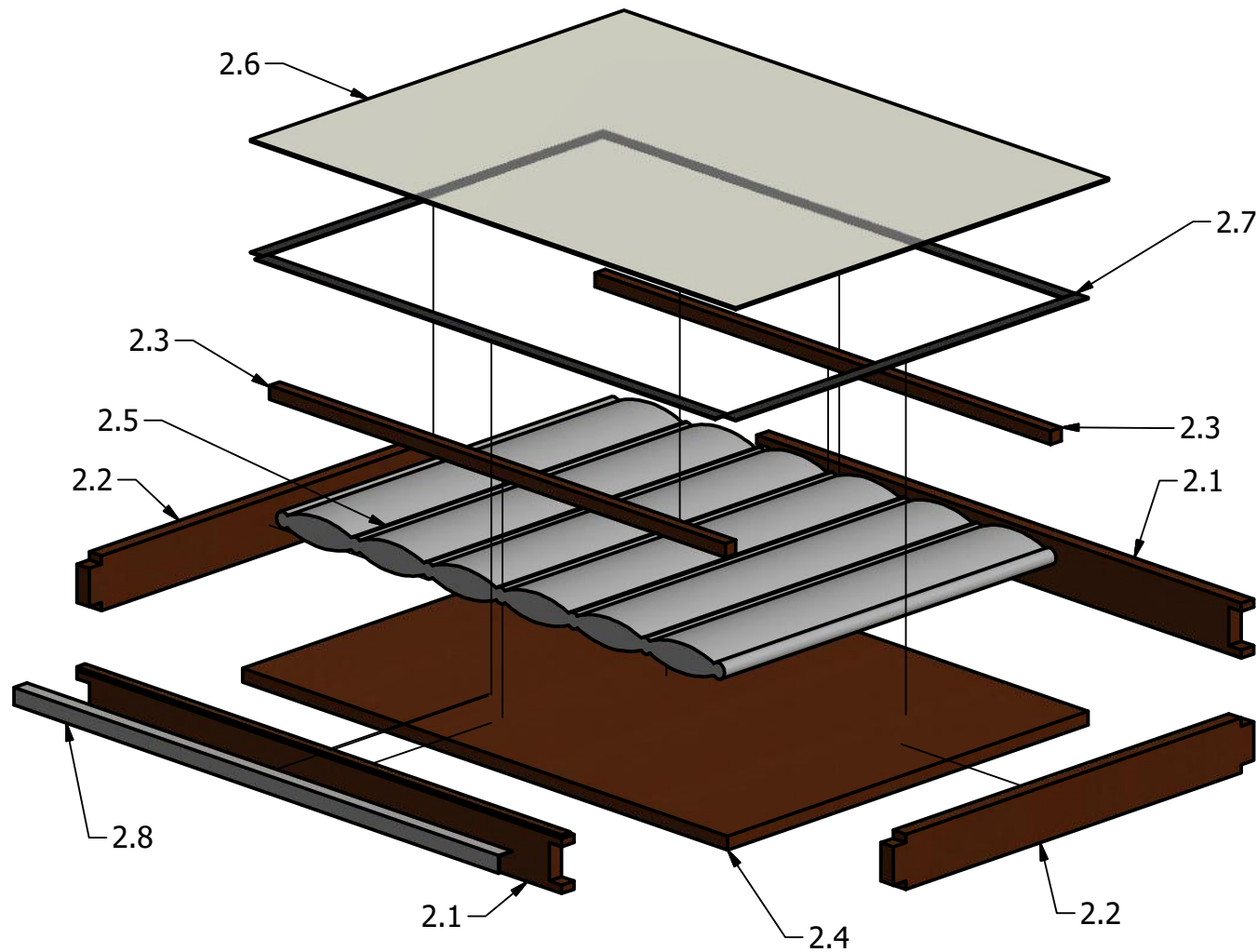


SECTION A-A





DETAIL B

PROJECT		CREATED BY	APPROVED BY		
ZIGZAG SOLAR WATER HEATER		D. MOSQUERA	D. JAEGER		
PART NAME		PART CODE	DOCUMENT TYPE	MATERIAL	
c o l l e c t o r - b o x		2.0	ASSEMBLY		
DEVELOPED BY	REDESIGNED BY	LICENCE	FILE NAME	VERSION	QUANTITY
		CERN-OHL	oseg_zsw_h_collector-box.iam	1.1	3
WOT-UNIVERSITY OF TWENTE			SCALE	SHEET	DATE
			1:10	16 /54	4/3/2021



Zigzag Solar Water Heater  
collector box

PROJECT		CREATED BY	APPROVED BY		
ZIGZAG SOLAR WATER HEATER		D. MOSQUERA	D. JAEGER		
PART NAME		PART CODE	DOCUMENT TYPE	MATERIAL	
c o l l e c t o r - b o x		2.0	ASSEMBLY		
DEVELOPED BY	REDESIGNED BY	LICENCE	FILE NAME	VERSION	QUANTITY
		CERN-OHL	oseg_zswh_collector-box.iam	1.1	3
WOT-UNIVERSITY OF TWENTE			SCALE	SHEET	DATE
			1:12	17 /54	4/3/2021