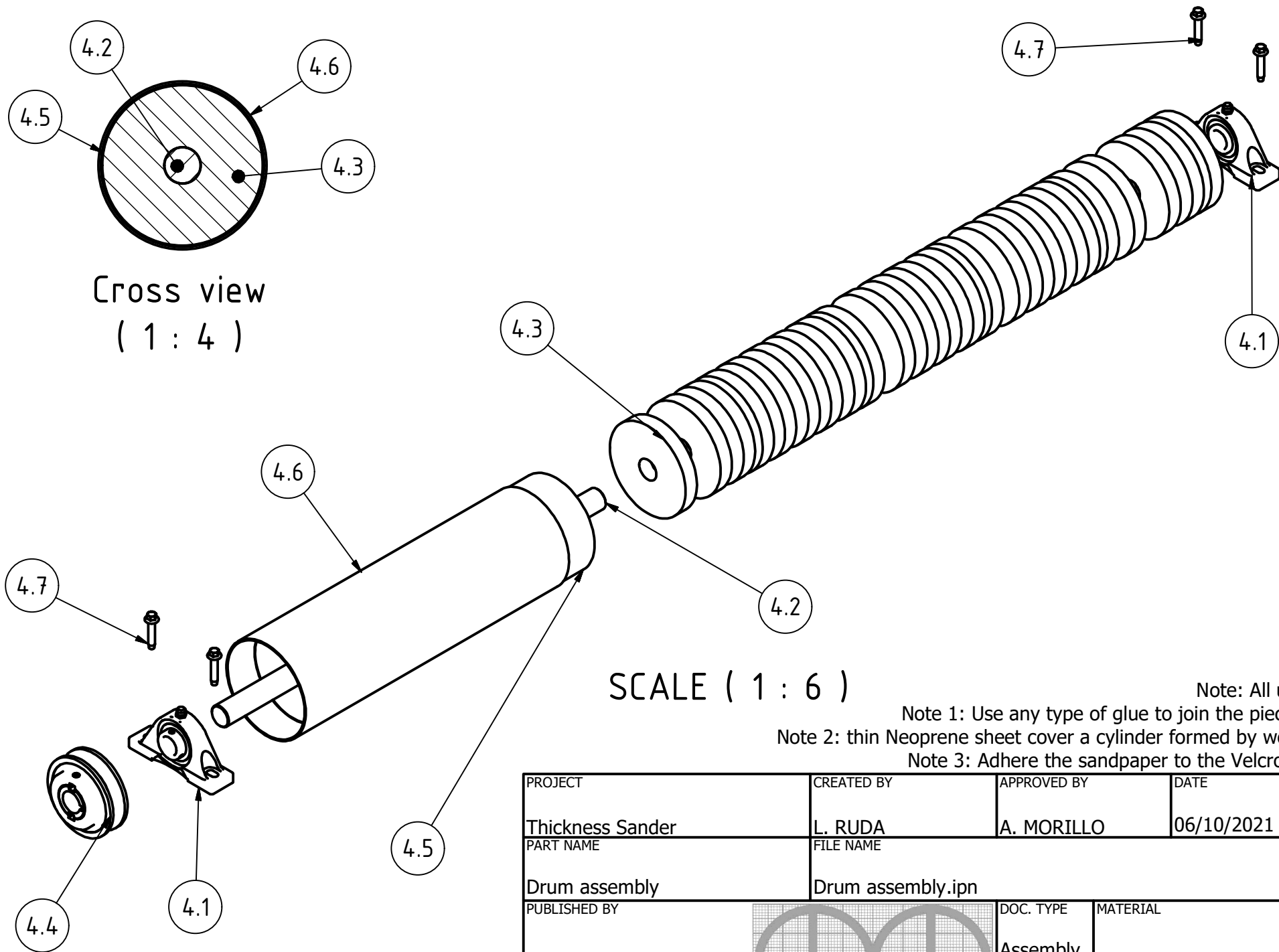


Cross view
(1 : 4)



SCALE (1 : 6)

Note: All units in mm.

Note 1: Use any type of glue to join the pieces of wood.

Note 2: thin Neoprene sheet cover a cylinder formed by wooden discs.

Note 3: Adhere the sandpaper to the Velcro using glue.

PROJECT	CREATED BY	APPROVED BY	DATE	VERSION
Thickness Sander	L. RUDA	A. MORILLO	06/10/2021	1.0
PART NAME	FILE NAME	POS		
Drum assembly	Drum assembly.ipn	4.0		
PUBLISHED BY		DOC. TYPE	MATERIAL	QUANTITY
OHO e.V.		Assembly		1
		LICENCE	SCALE	SHEET
		CC-BY-SA 4.0	1:6	14 /22