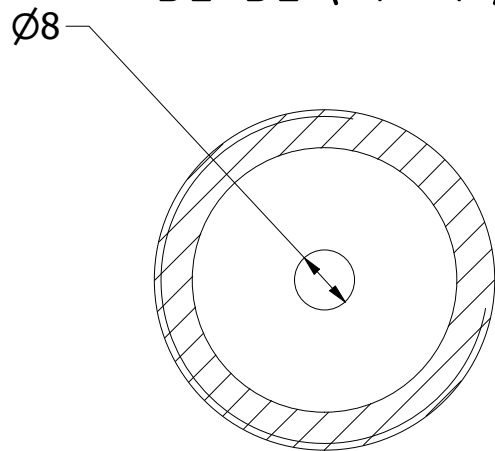
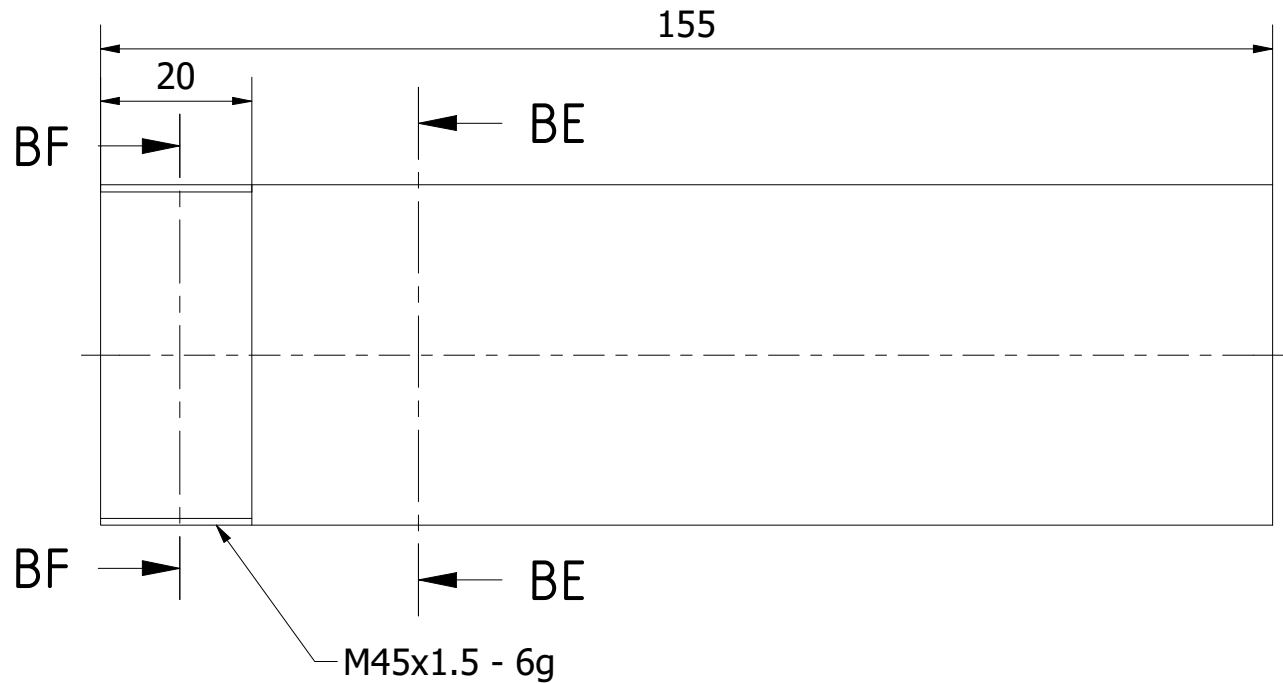
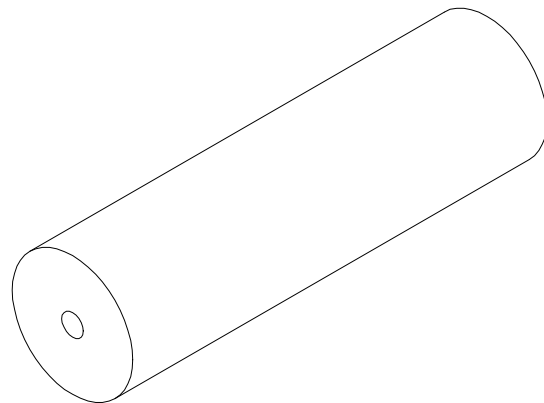


BE-BE ( 1 : 1 )



BF-BF ( 1 : 1 )



Note: All units in mm.

PROJECT Convertible Bicycle Trailer for People - with shock absorber		CREATED BY J. Rosciano	APPROVED BY A. Morillo	DATE 26/07/2021	VERSION 1.1
PART NAME Cylinder		FILE NAME Cylinder.ipt			POS 3.2
DEVELOPED BY Practical Action	REDESIGNED BY OHO e.V.	DOC. TYPE Part	MATERIAL DIN C45	QUANTITY 1	
		LICENCE CC-BY-SA 4.0	SCALE 1/1	SHEET 20 /51	