

F E D C B A

4

3

2

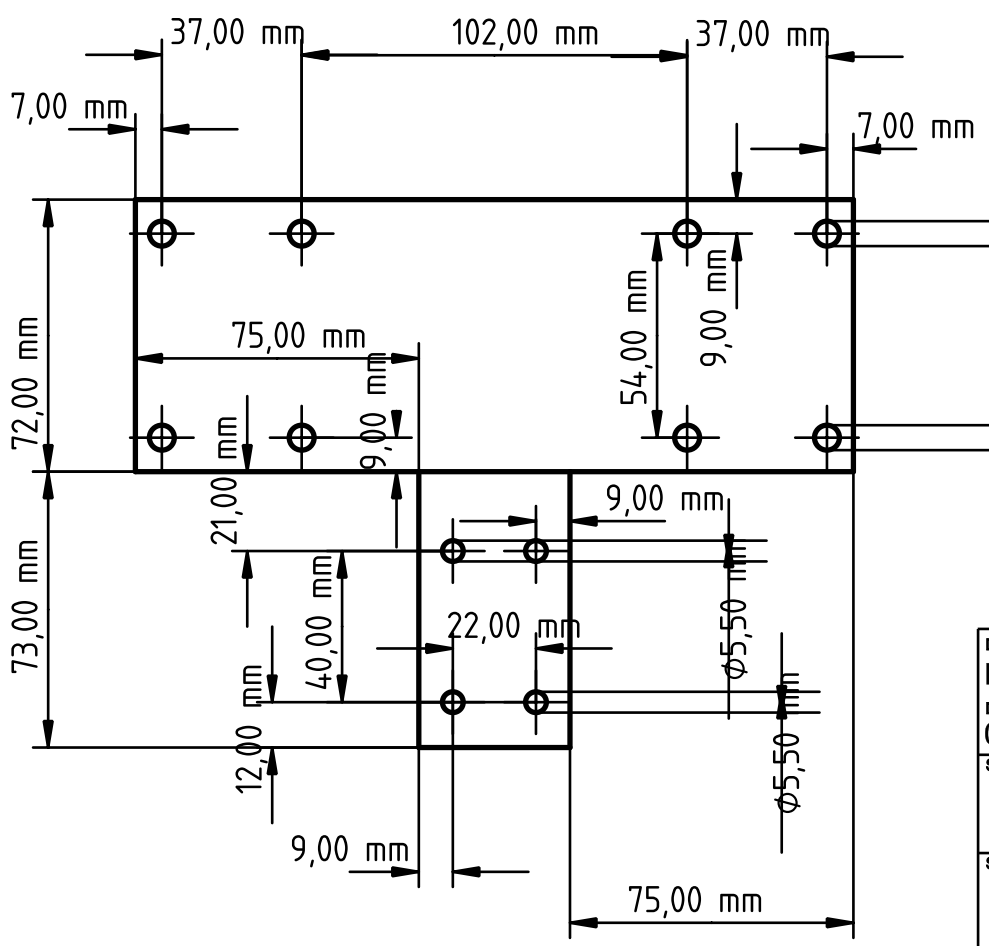
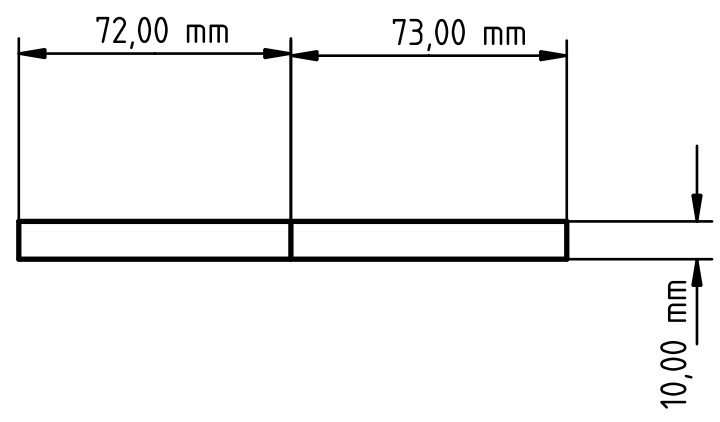
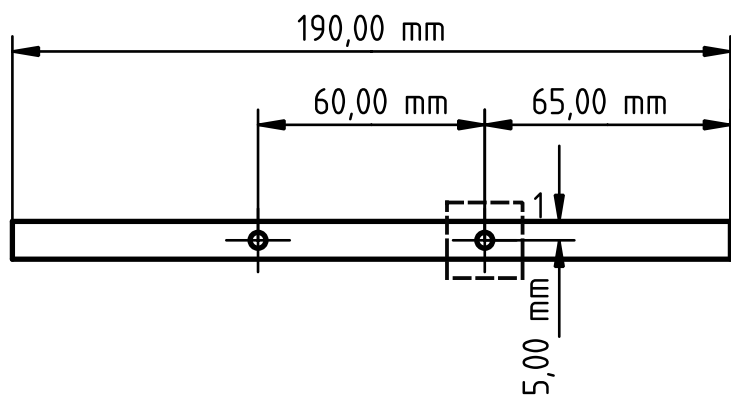
1

4

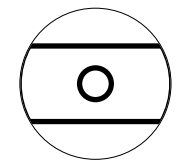
3

2

1



Threaded M5x20mm



DESIGNED BY: Lukas Winter		COSI Measure v1.0		G	-
DATE: 02.08.2018		Mechanical assembly - plate 5		F	-
SIZE A4				E	-
SCALE 1:2				D	-
WEIGHT (kg)	DRAWING NUMBER	C	-	B	-
		SHEET 1/1	A	-	
This drawing is our property; it can't be reproduced or communicated without our written consent.					

F E D