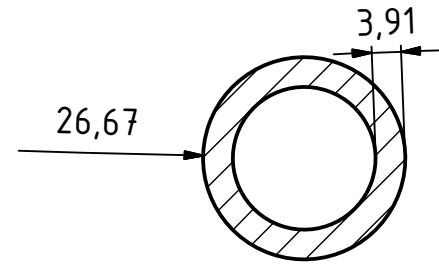
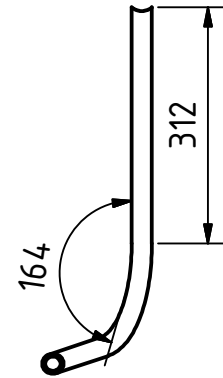
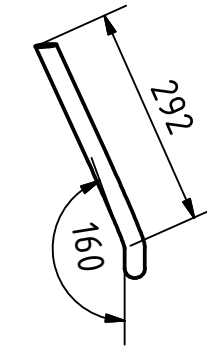
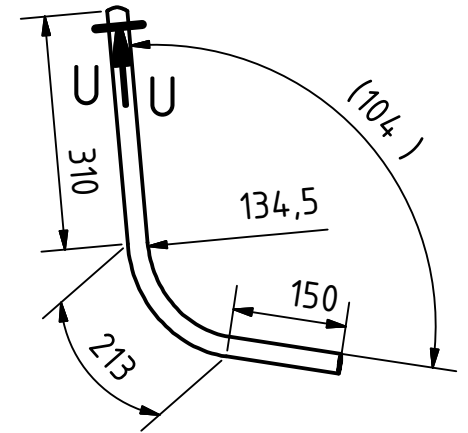


SCALE (1 : 4)

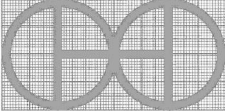


U-U (1 : 1)



SCALE (1 : 10)

Note: All units in mm.

PROJECT	CREATED BY	APPROVED BY	DATE	VERSION
Ox-drawn Plough	L. Ruda	A. Morillo	09/09/2021	1.0
PART NAME	FILE NAME			POS
Pipe 813 19	Pipe 813 19.ipt			2.4
DEVELOPED BY	REDESIGNED BY	DOC. TYPE	MATERIAL	QUANTITY
		Part	Steel A36	1
		LICENCE	SCALE	SHEET
Practical Action	OHO e.V.	CC-BY-SA 4.0	1:10	13 /26