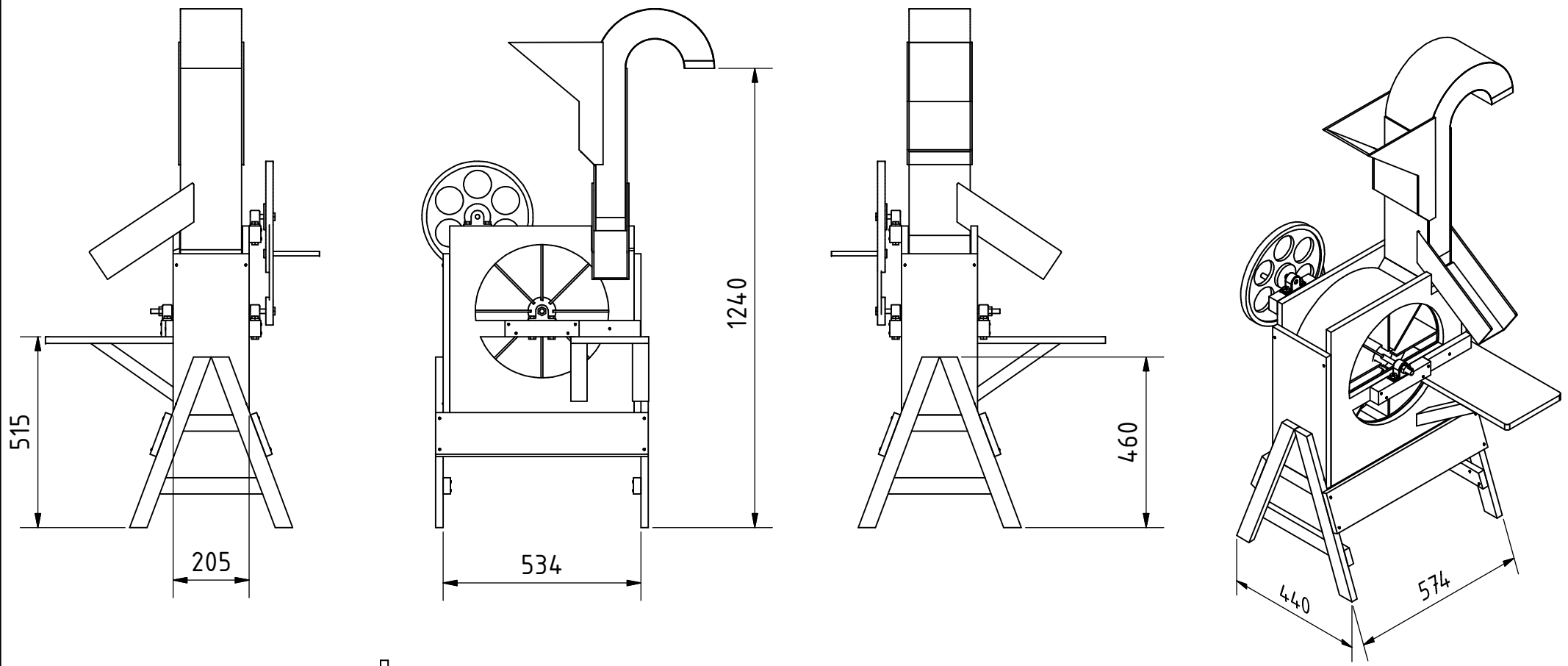
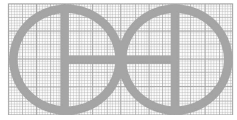


ELEVATION (1 : 15)



Note: All units in mm.

| | | | | | | | | | |
|---|--|---|--|---------------------------|--|--------------------|--|----------------|--|
| PROJECT Hand Operated Winnower for groundnut | | CREATED BY J. Zeron | | APPROVED BY A. Morillo | | DATE 09/08/2021 | | VERSION 1.0 | |
| PART NAME | | FILE NAME | | | | | | POS | |
| 3d views | | tpi_how_hand-operated-winnower.iam | | | | | | A1 | |
| DEVELOPED BY | | REDESIGNED BY | | DOC. TYPE | | MATERIAL | | QUANTITY | |
| | |  | | Assembly | | | | 1 | |
| Tropical Products Institut | | OHO e.V. | | LICENCE | | SCALE | | SHEET | |
| | | | | CC-BY-SA 4.0 | | 1:15 | | 1 /45 | |