
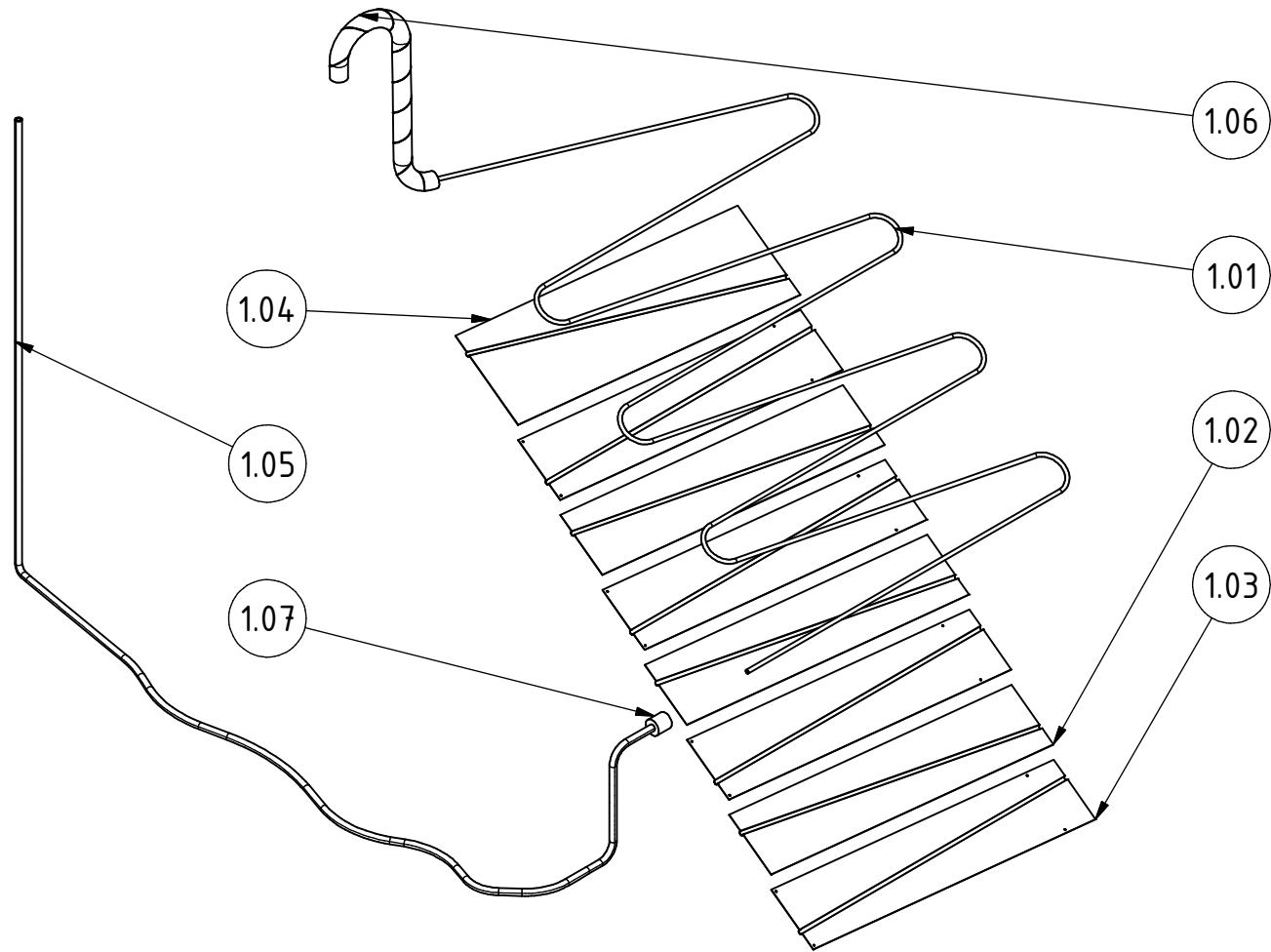



PROJECT Solar water heater for disinfection		CREATED BY A. Morillo	APPROVED BY D. Jaeger	DATE 22-05-2023	VERSION 0.01
PART NAME Absorber		SPECIFICATIONS			CODE 1.00
DEVELOPED BY IOG - Engineers Without Borders		REDESIGNED BY 	FILE NAME 4.0_Absorber.iam		QUANTITY 1
		OHO e.V.	LICENSE CC-BY-SA 4.0	DOC. TYPE Assembly	SCALE 1 : 30
					SHEET 10 / 24



PROJECT Solar water heater for disinfection		CREATED BY A. Morillo	APPROVED BY D. Jaeger	DATE 22-05-2023	VERSION 0.01
PART NAME Absorber		SPECIFICATIONS			CODE 1.00
DEVELOPED BY		REDESIGNED BY	FILE NAME 4.0_Absorber.ipn		QUANTITY 1
IOG - Engineers Without Borders			OHO e.V.	LICENSE CC-BY-SA 4.0	DOC. TYPE Assembly
			SCALE 1 : 20	SHEET 11 / 24	