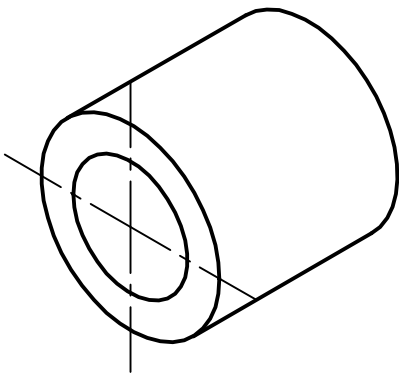
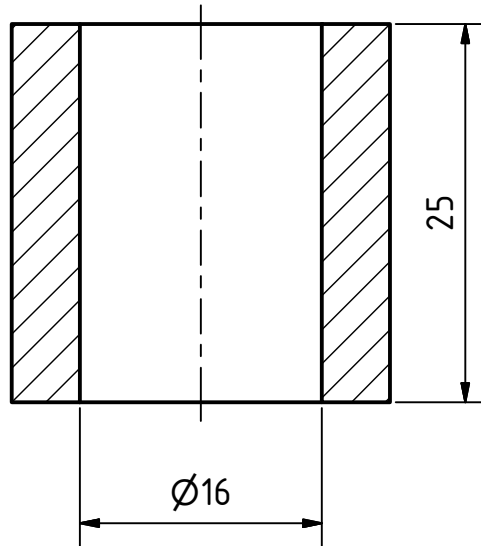





H-H (2 : 1)



PROJECT		CREATED BY		APPROVED BY		DATE		VERSION	
Cross Flow Turbine		D.MOSQUERA		D. JAEGER		05-04-21		1.0	
PART NAME		FILE NAME						PART CODE	
Spacer		oseg_cft_Spacer.ipt						5.5	
DEVELOPED BY		REDESIGNED BY		SUPPORTED BY		DOC. TYPE		MATERIAL	
						PART LICENCE		Steel C45	
		OSEG				CC.BY.SA 4.0		SCALE	
						1:1		SHEET	
								54 /90	