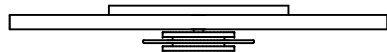
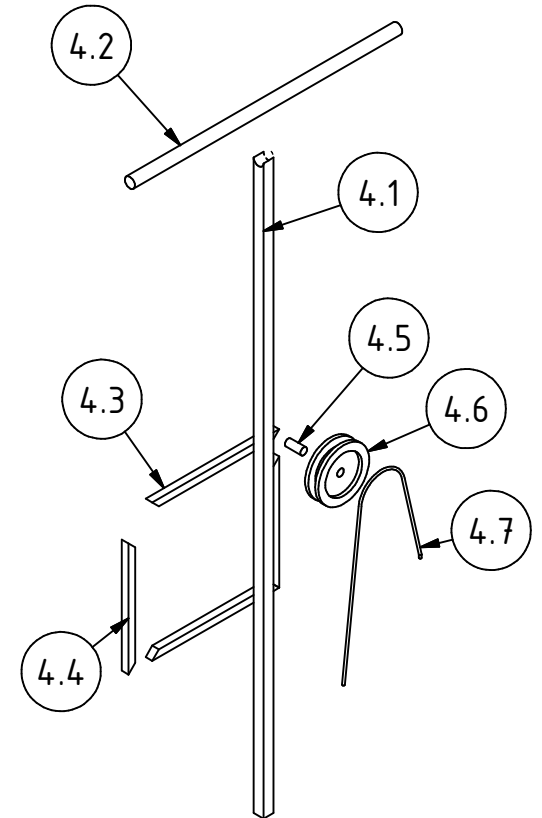
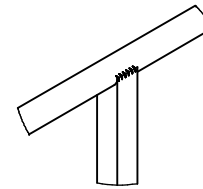
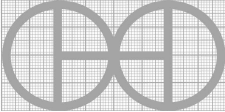


A (1 : 4)



Note: All units in mm.

PROJECT	CREATED BY	APPROVED BY	DATE	VERSION
Threadle pump	J. Zeron	A. Morillo	03/09/2021	1.0
PART NAME	FILE NAME			POS
Handle	Handle.ipn			4.0
DEVELOPED BY	REDESIGNED BY	DOC. TYPE	MATERIAL	QUANTITY
		Assembly		1
University of Warwick, DTUOHO e.V.		LICENCE	SCALE	SHEET
		CC-BY-SA 4.0	1:8	25 /29