
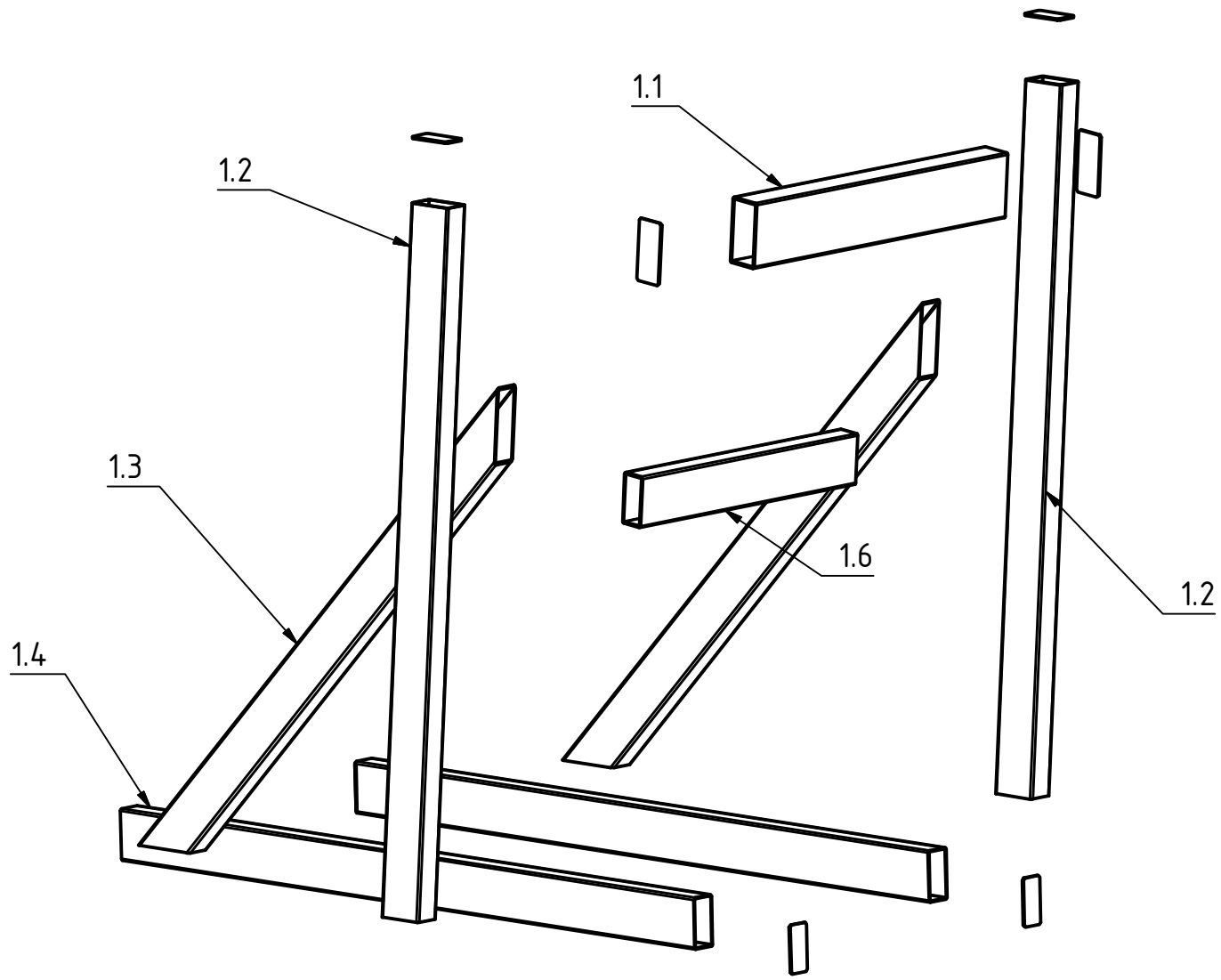
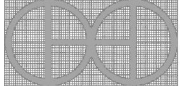


Note: All units in mm.

PROJECT Snow Sled with 10 hp outboard motor	CREATED BY D. Mosquera	APPROVED BY A. Morillo	DATE 10/08/2021	VERSION 1.0
PART NAME Support motor	FILE NAME oho_sso_support-motor.iam			POS 1.0
PUBLISHED BY  OPEN HARDWARE OBSERVATORY Free Blueprints for Sustainable Development		DOC. TYPE Assembly	MATERIAL	QUANTITY 1
OHO e.V.		LICENCE CC-BY-SA 4.0	SCALE 1:15	SHEET 9 /47



Note: All units in mm.

PROJECT	CREATED BY	APPROVED BY	DATE	VERSION
Snow Sled with 10 hp outboard motor	D. Mosquera	A. Morillo	10/08/2021	1.0
PART NAME	FILE NAME			POS
Support motor	oho_sso_support-motor.ipn			1.0
PUBLISHED BY	DOC. TYPE	MATERIAL		QUANTITY
 OPEN HARDWARE OBSERVATORY Free Blueprints for Sustainable Development	Assembly			1
	LICENCE	SCALE		SHEET
OHO e.V.	CC-BY-SA 4.0	1:10		10 /47