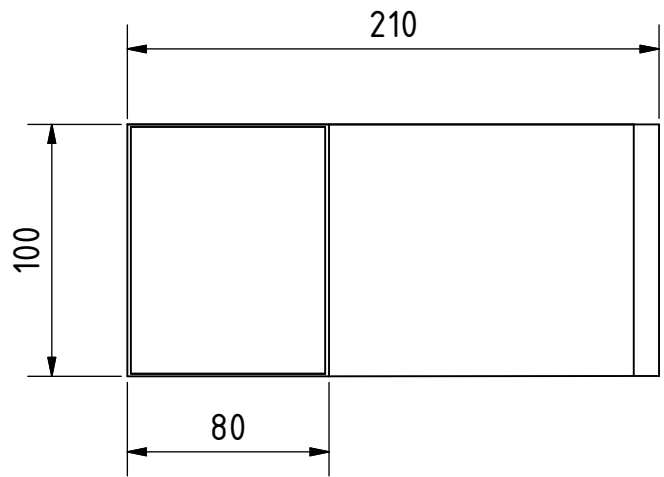
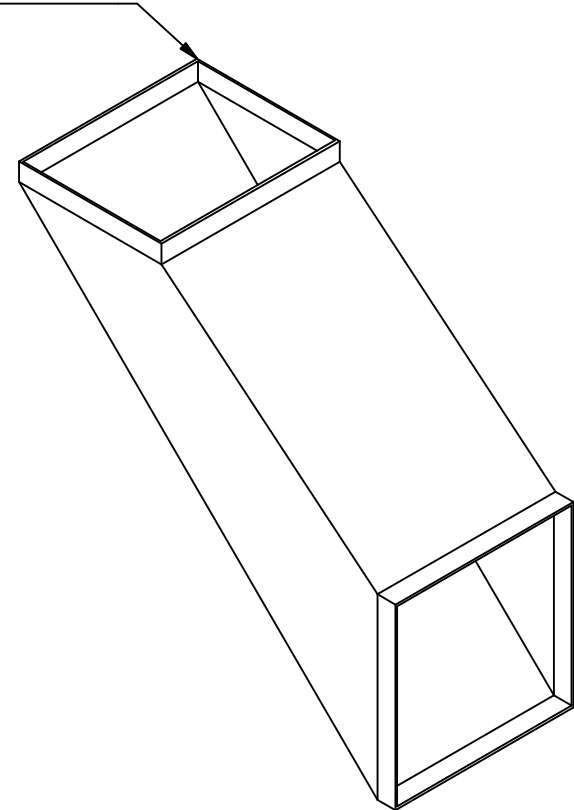


18 gauge
folded sheet.



Note: All units in mm.

PROJECT Sawdust stove made with a 20 L tin can		CREATED BY J. Zeron	APPROVED BY A. Morillo	DATE 23/09/2021	VERSION 1.0
PART NAME Reducer fitting B		FILE NAME Reducer fitting B.ipt			POS 9
DEVELOPED BY Vita	REDESIGNED BY OHO e.V.	DOC. TYPE Part	MATERIAL Galvanized steel	QUANTITY 1	
		LICENCE CC-BY-SA 4.0	SCALE 1:3	SHEET 9 /17	