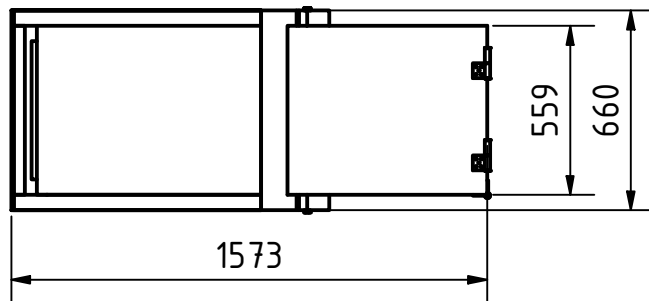
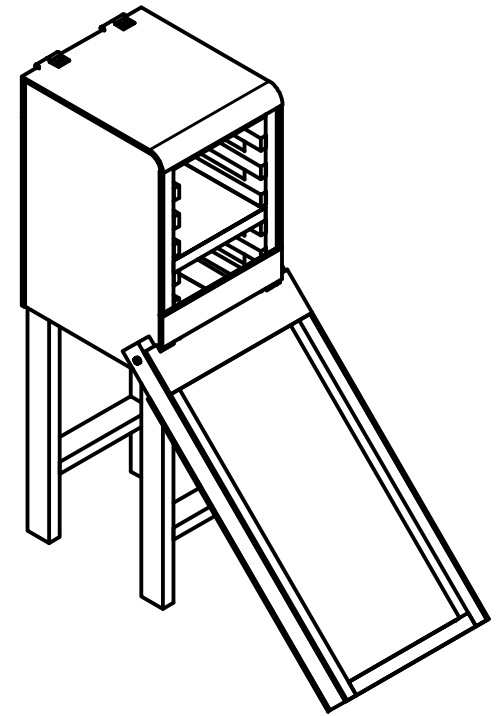



A-A ( 1 :25 )



Note: All units in mm.

PROJECT	CREATED BY	APPROVED BY	DATE	VERSION
Solar Food Dryer	E. Ceballos	A. Morillo	01/09/2021	1.0
PART NAME	FILE NAME			POS
3d views	solar food dryer.iam			A1
DEVELOPED BY	REDESIGNED BY	DOC. TYPE	MATERIAL	QUANTITY
Arnold and Maria Valdez	 OSEG	Assembly		1
		LICENCE	SCALE	SHEET
		CC-BY-SA 4.0	1:20	1 /27