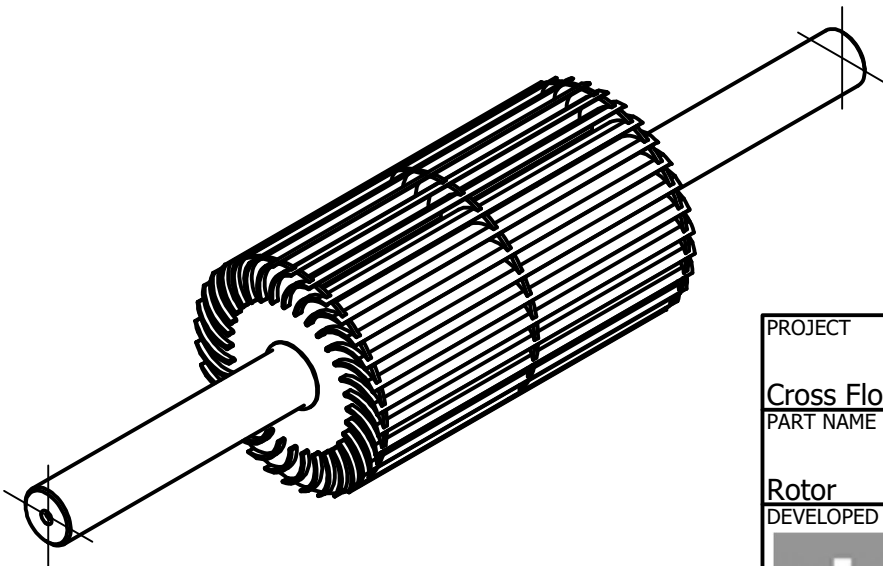
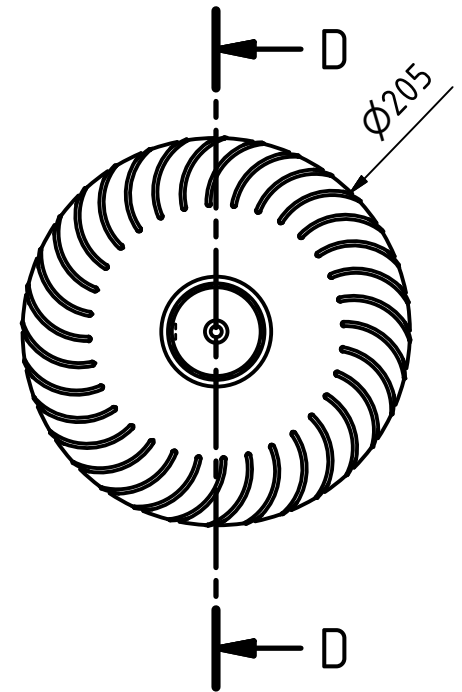
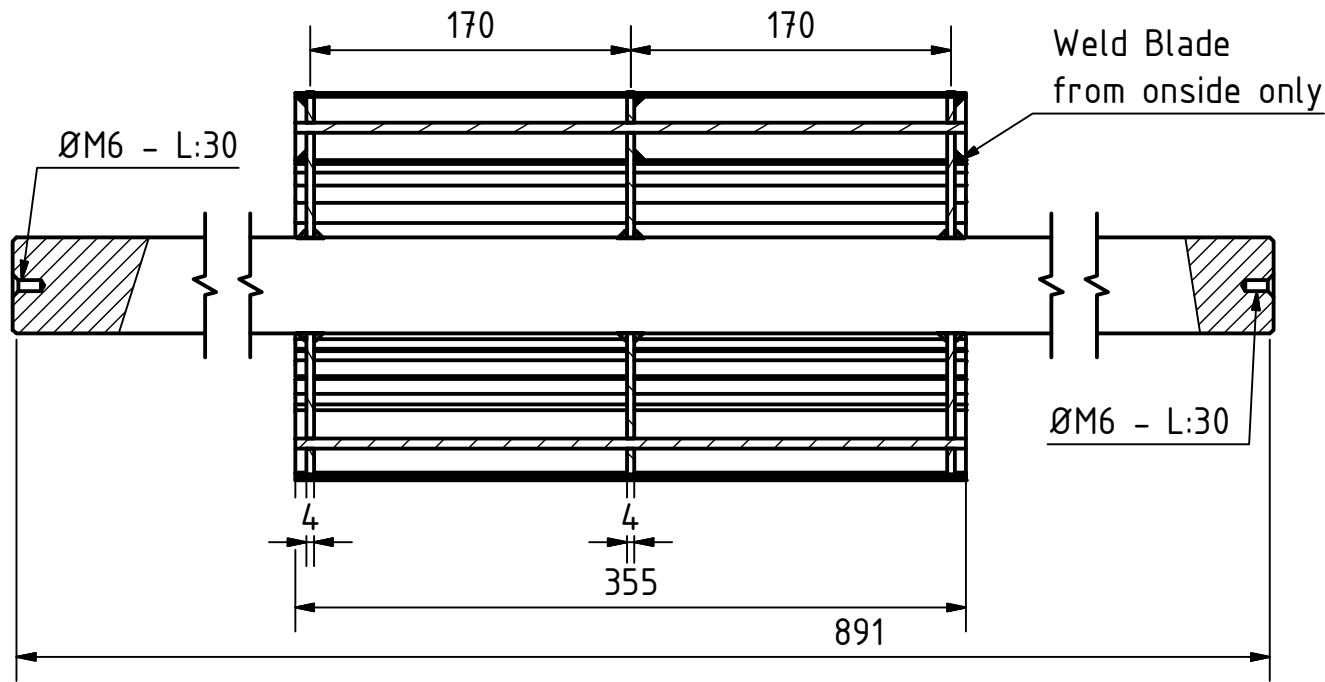





Section D-D



PROJECT	CREATED BY	APPROVED BY	DATE	VERSION
Cross Flow Turbine	D.MOSQUERA	D. JAEGER	05-04-21	1.0
PART NAME	FILE NAME			PART CODE
Rotor	oseg_cft_Rotor.iam			4
DEVELOPED BY	REDESIGNED BY	SUPPORTED BY	DOC. TYPE	MATERIAL
	 OPEN SOURCE ECOLOGY GERMANY OSEG		ASSEMBLY	
		LICENCE	SCALE	SHEET
		CC.BY.SA 4.0	1:5	43 /90