
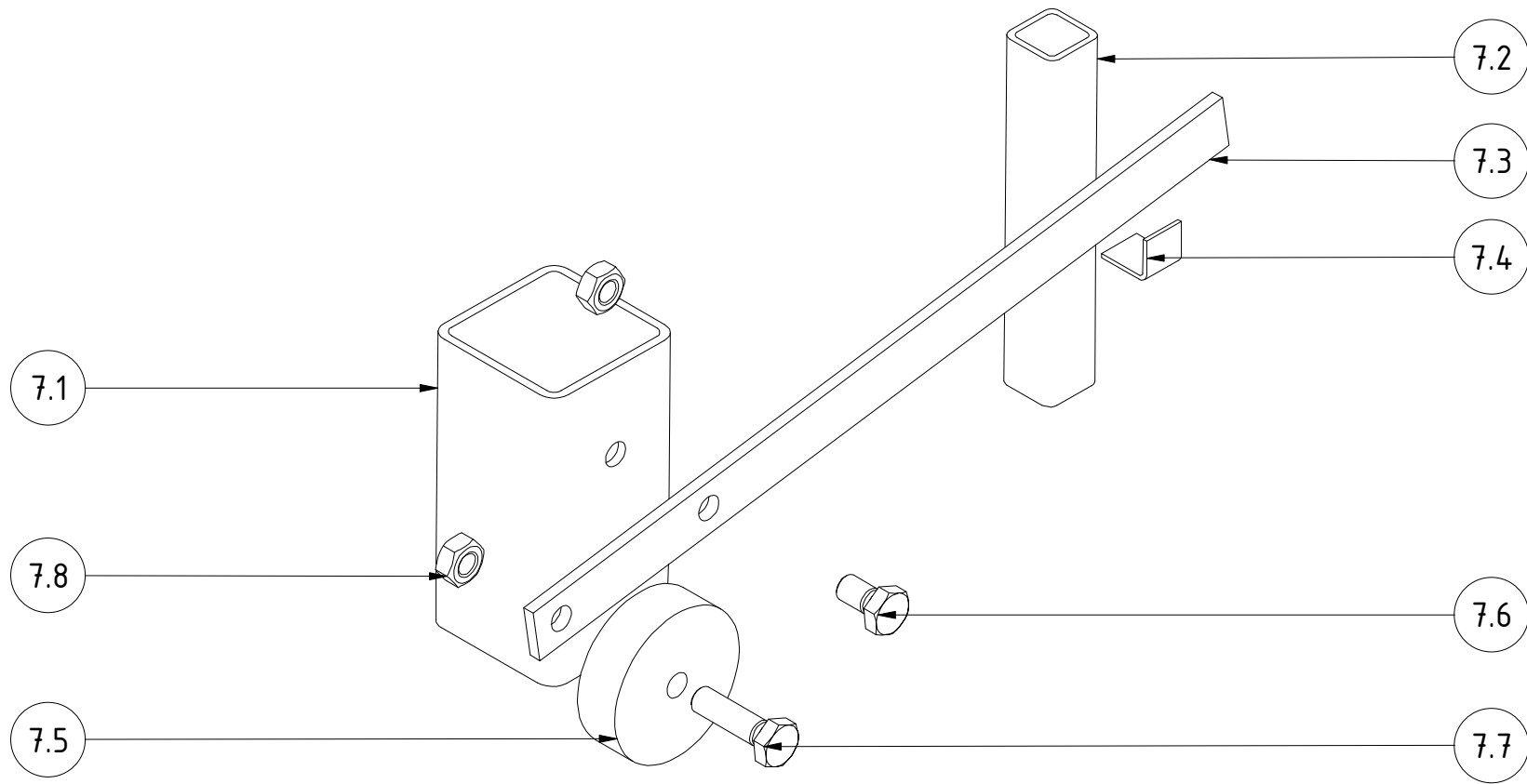



AE ( 2 : 3 )

Note: All units in mm.

PROJECT	CREATED BY	APPROVED BY	DATE	VERSION
Bandsaw mill	J. Rosciano	A. Morillo	11/09/2021	1.1
PART NAME	FILE NAME			POS
Belt and tensioner assembly	Belt and tensioner assembly.iam			7.0
PUBLISHED BY	DOC. TYPE	MATERIAL		QUANTITY
 <b>OPEN HARDWARE OBSERVATORY</b> Free Blueprints for Sustainable Development	Assembly			1
	LICENCE	SCALE		SHEET
OHO e.V.	CC-BY-SA 4.0	1/3		55 /71



PROJECT	CREATED BY	APPROVED BY	DATE	VERSION
Bandsaw mill	J. Rosciano	A. Morillo	11/09/2021	1.1
PART NAME	FILE NAME			POS
Belt and tensioner assembly	Belt and tensioner assembly.ipn			7.0
PUBLISHED BY	DOC. TYPE	MATERIAL		QUANTITY
 <b>OPEN HARDWARE OBSERVATORY</b> Free Blueprints for Sustainable Development	Assembly			1
	LICENCE	SCALE		SHEET
OHO e.V.	CC-BY-SA 4.0	1/2		56 /71